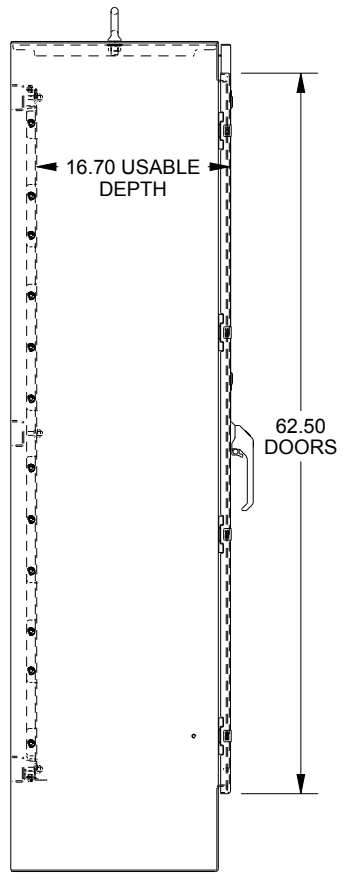
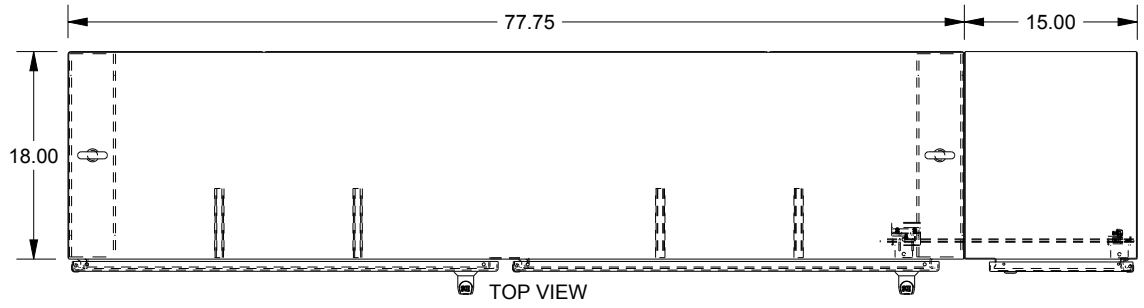
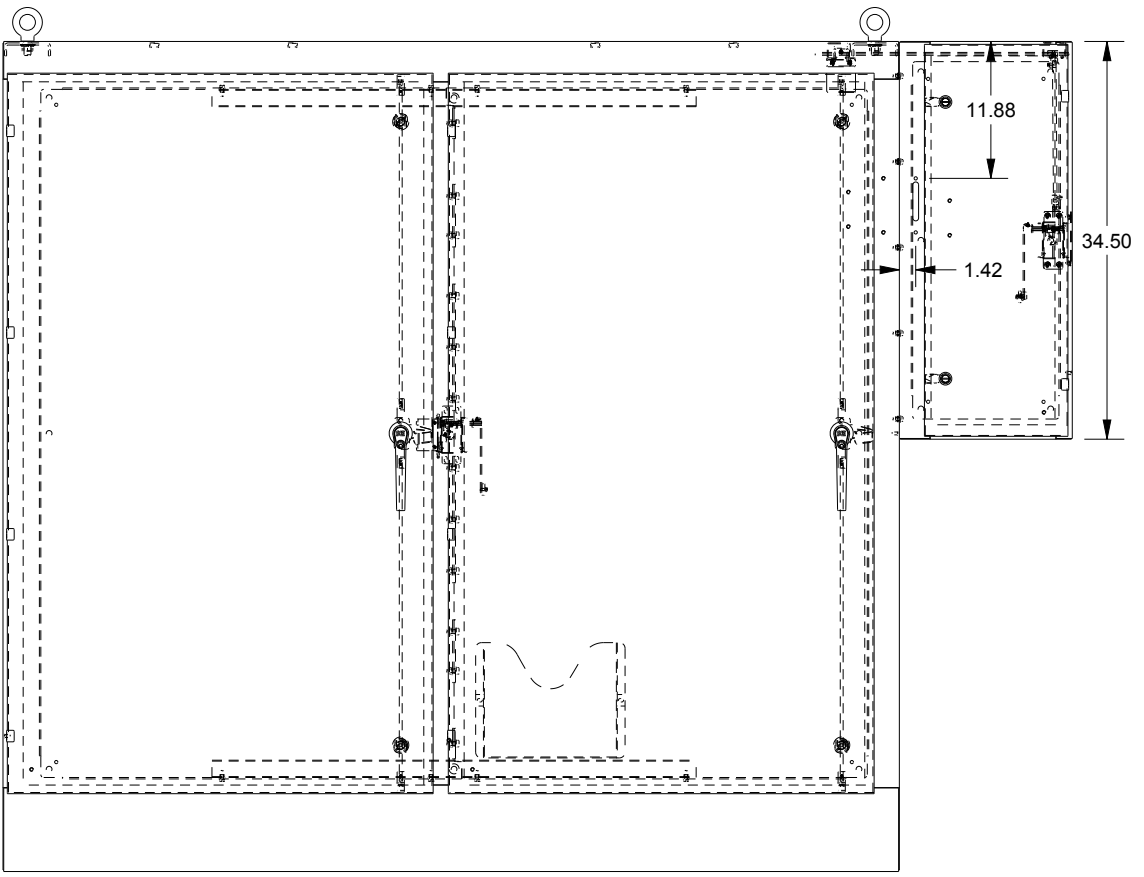


# SAGINAW CONTROL & ENGINEERING

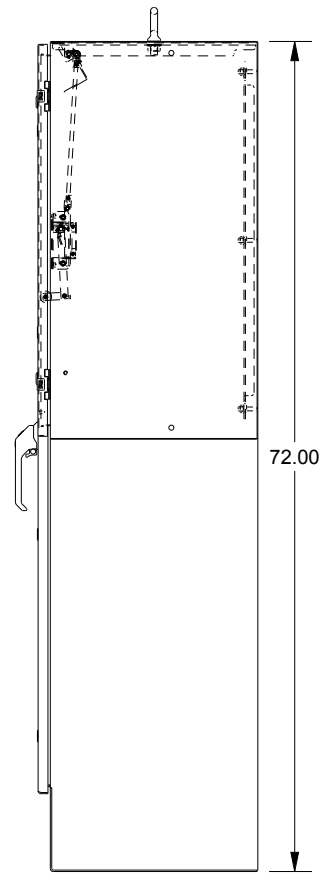
## SCE-72XD7818G



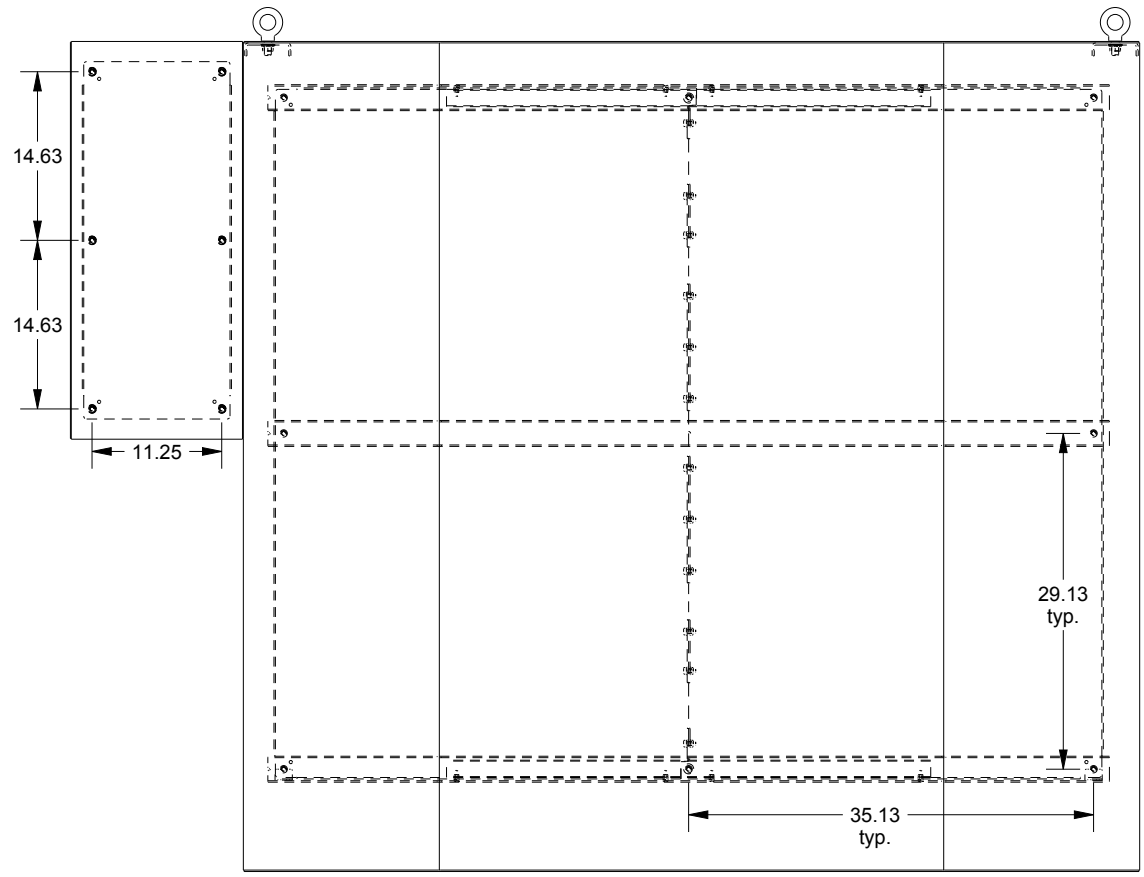
LEFT SIDE VIEW



FRONT VIEW

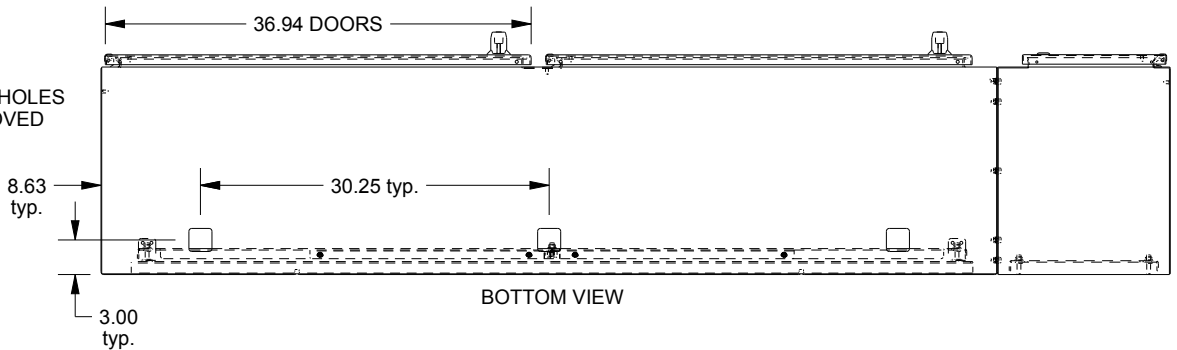


RIGHT SIDE VIEW



EXTERNAL REAR VIEW

WASH SYSTEM 2" SQUARE DRAIN HOLES IN THE BOTTOM WITH UL APPROVED HOLE SEALS PROVIDED



BOTTOM VIEW