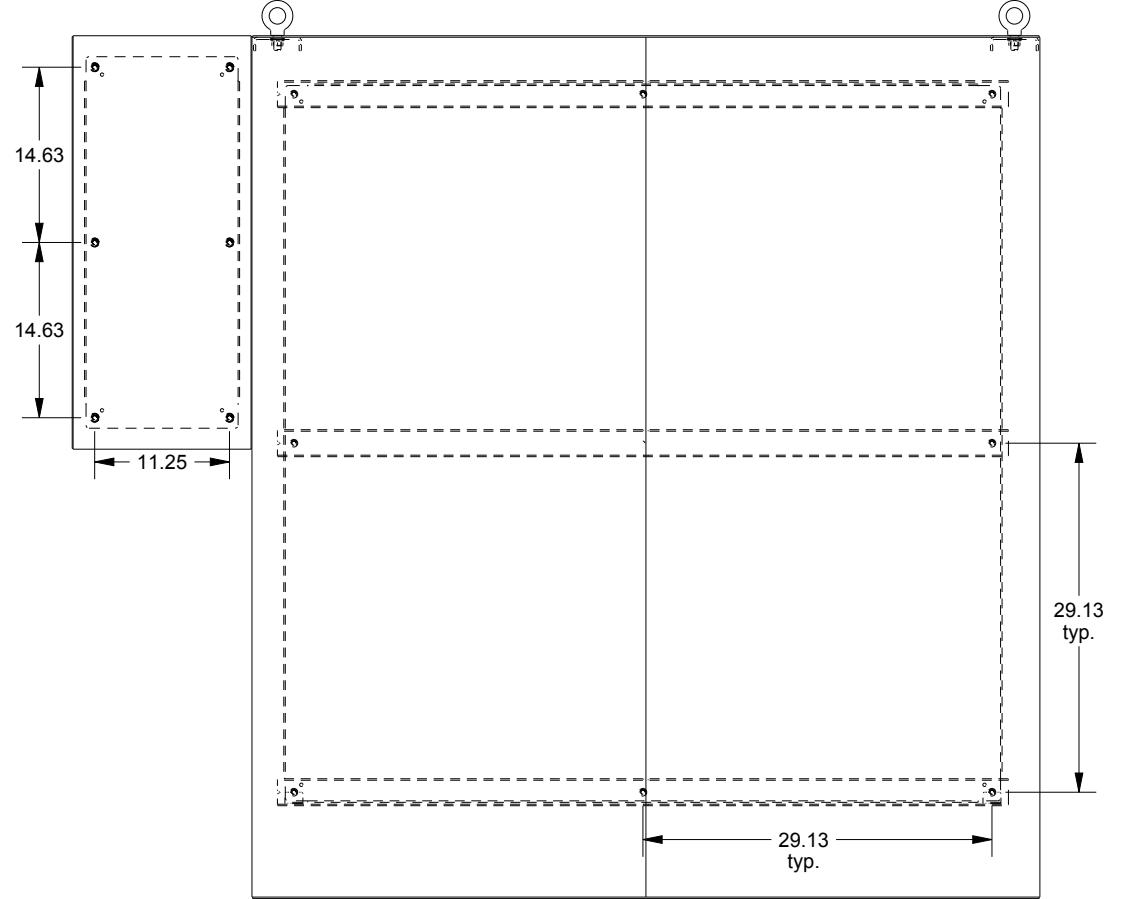
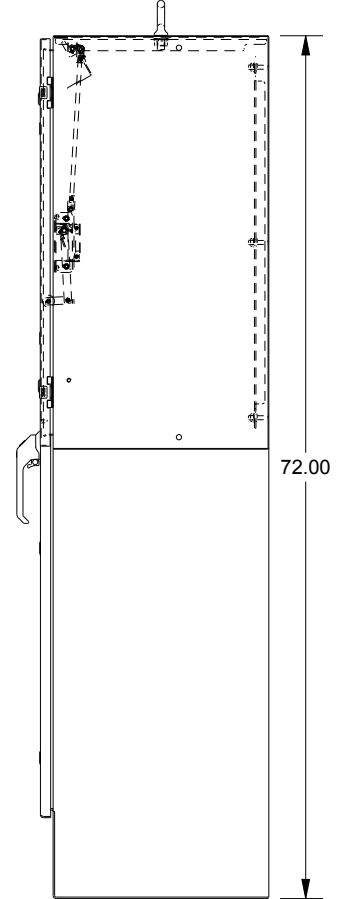
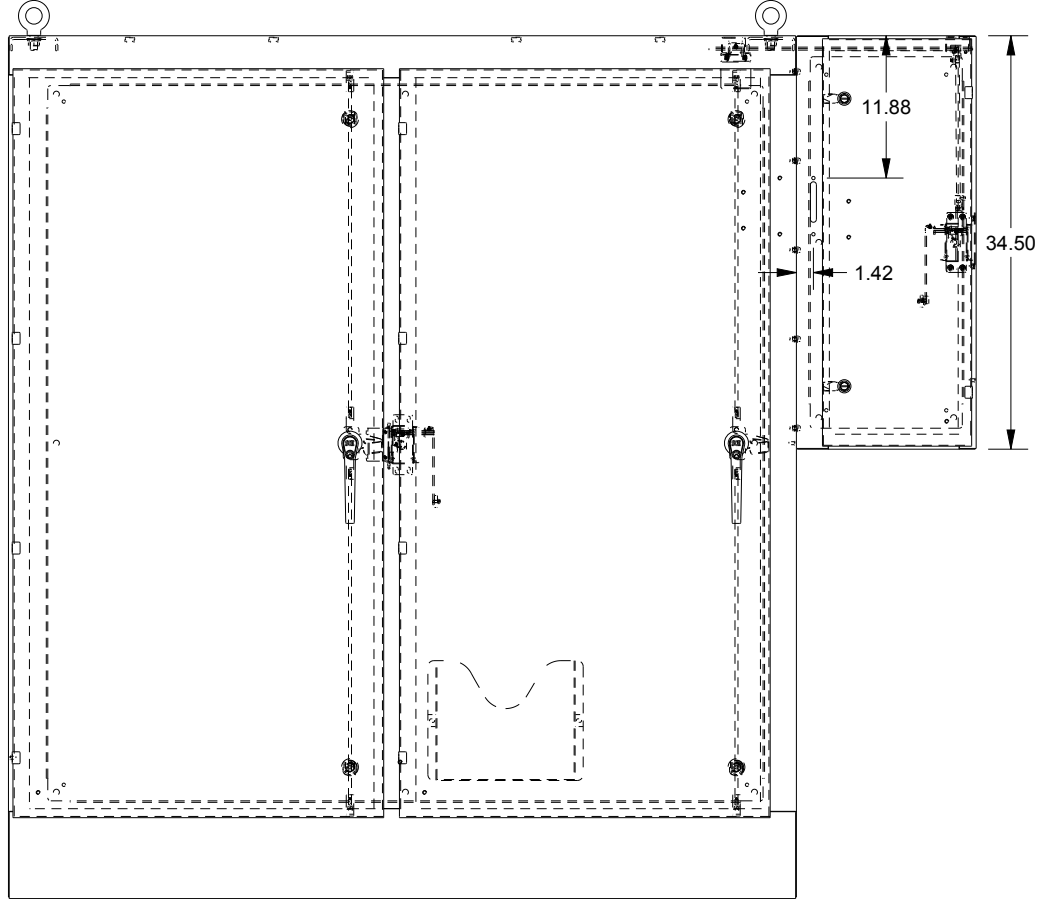
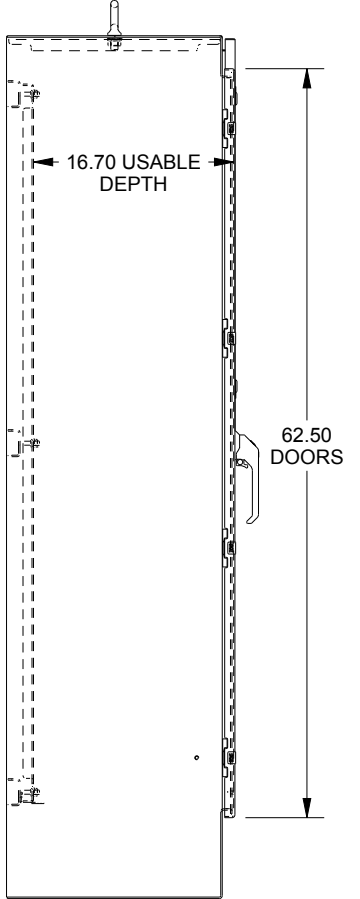
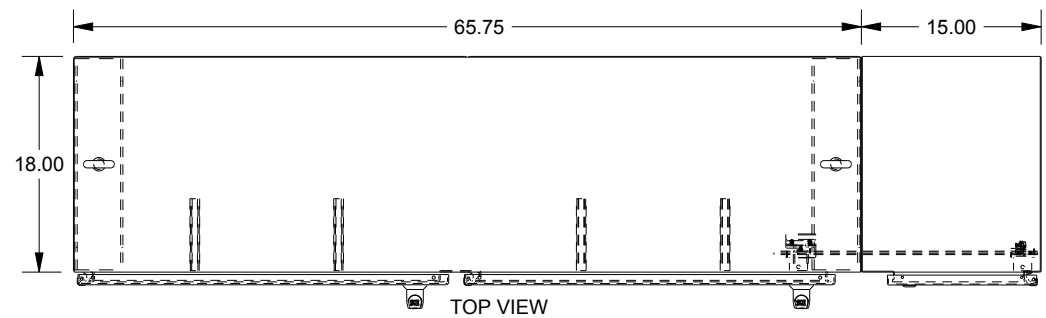


# SAGINAW CONTROL & ENGINEERING SCE-72XD6618G



WASH SYSTEM 2" SQUARE DRAIN HOLES  
IN THE BOTTOM WITH UL APPROVED  
HOLE SEALS PROVIDED

