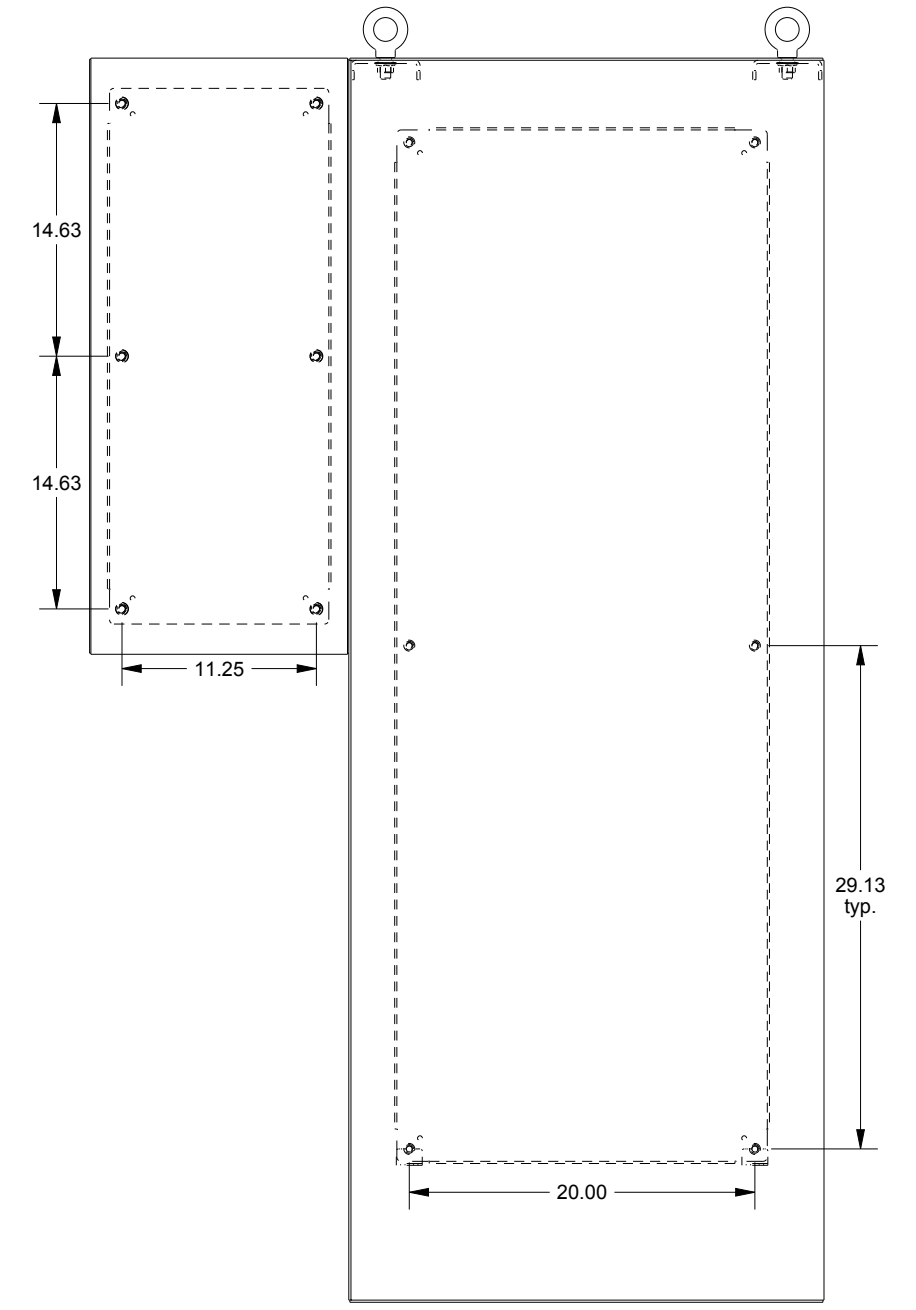
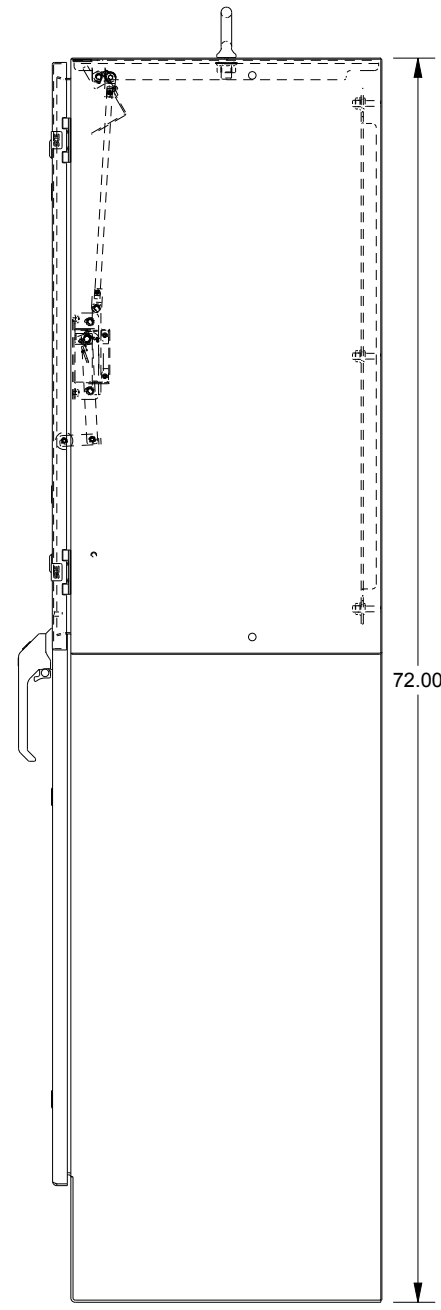
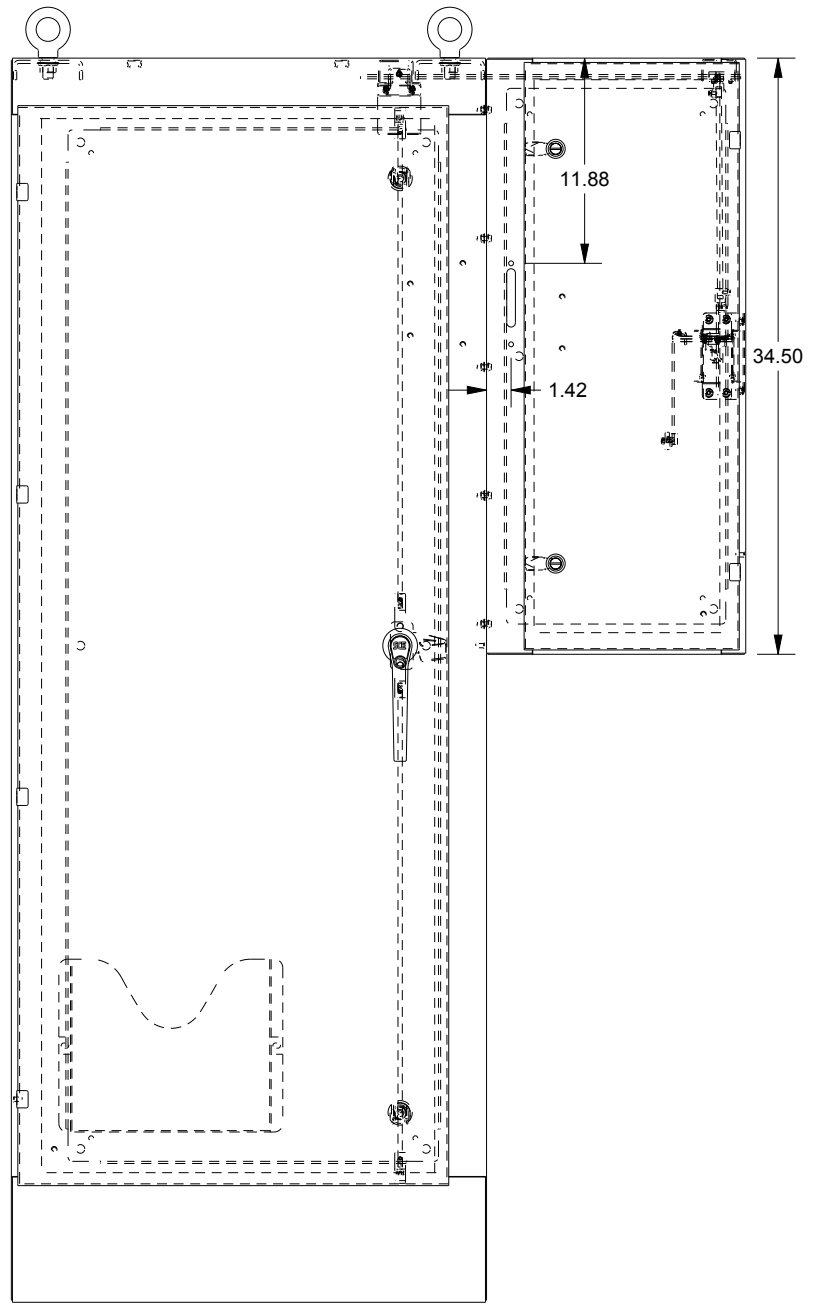
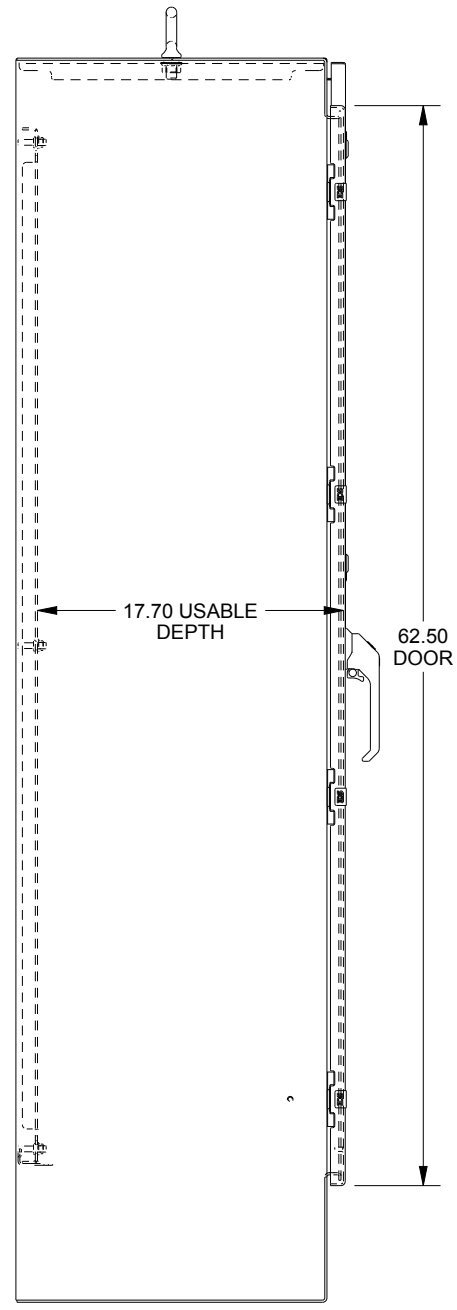
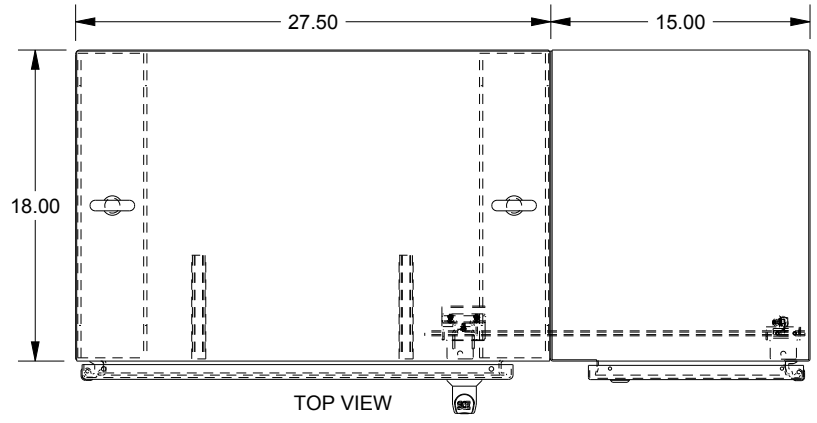
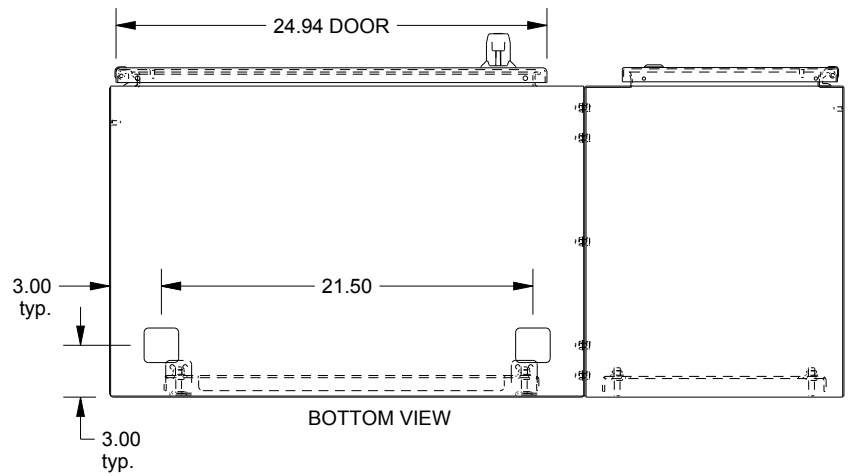


# SAGINAW CONTROL & ENGINEERING

## SCE-72XD2818

WASH SYSTEM 2" SQUARE DRAIN HOLES IN THE BOTTOM WITH UL APPROVED HOLE SEALS PROVIDED



LEFT SIDE VIEW

FRONT VIEW

RIGHT SIDE VIEW

EXTERNAL REAR VIEW