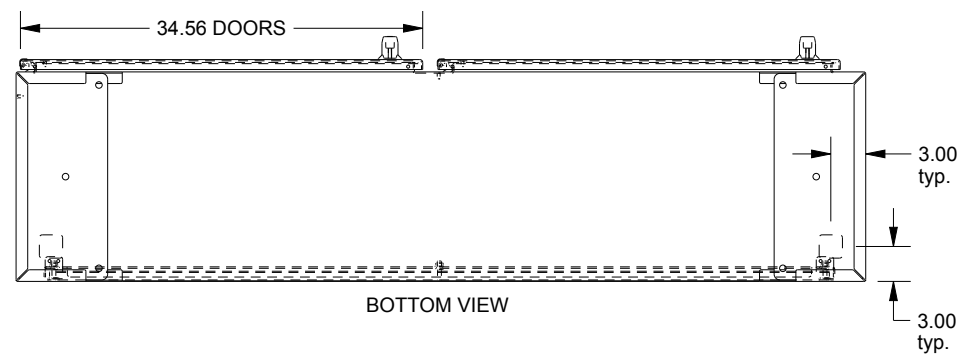
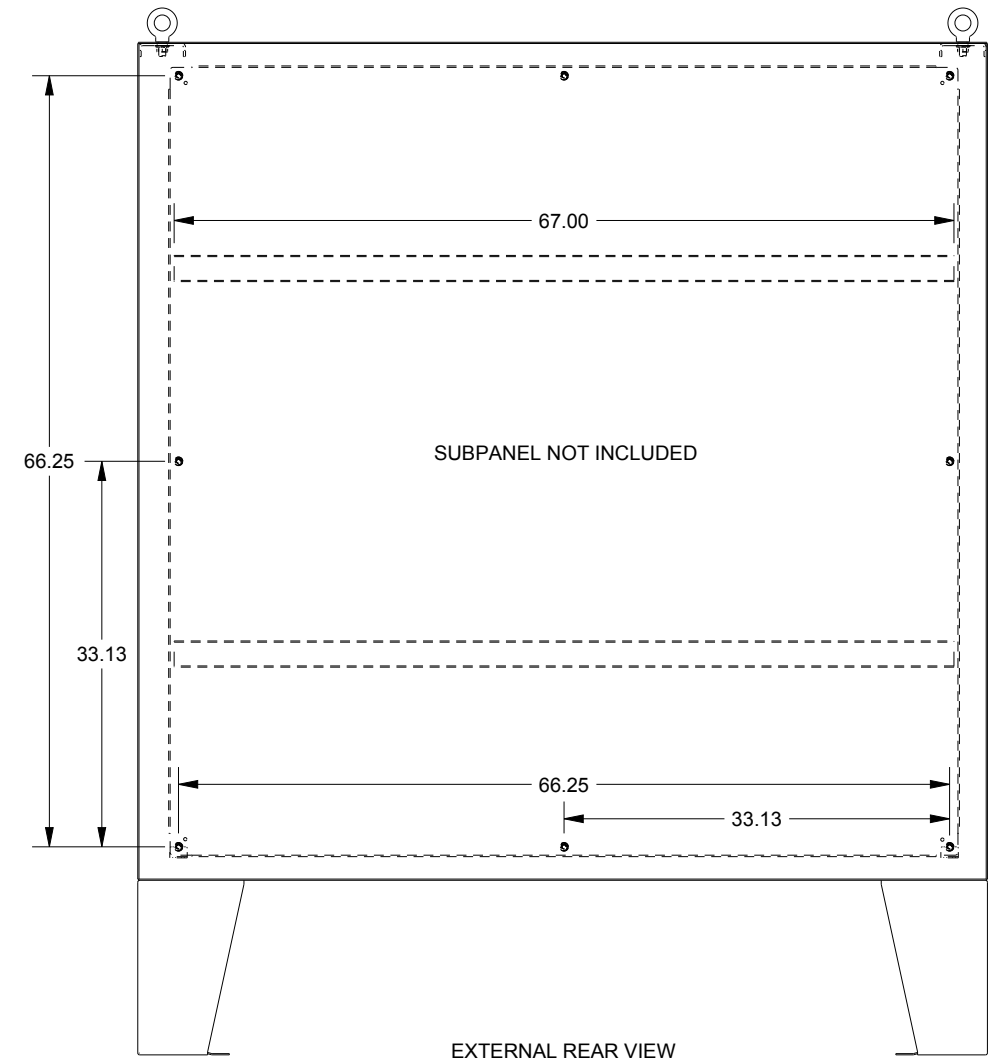
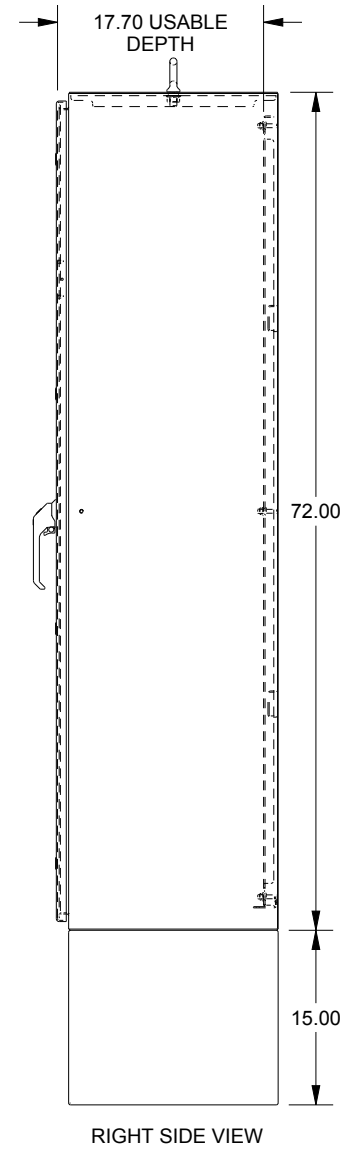
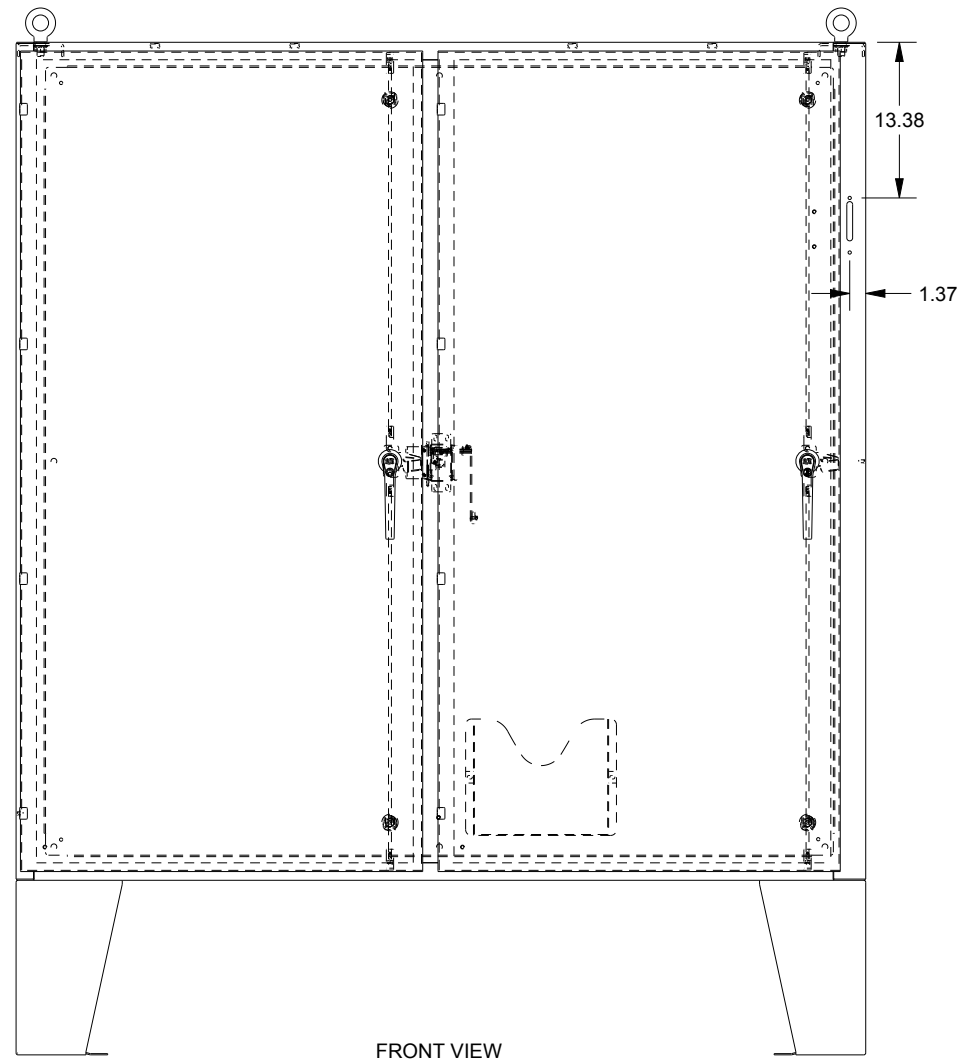
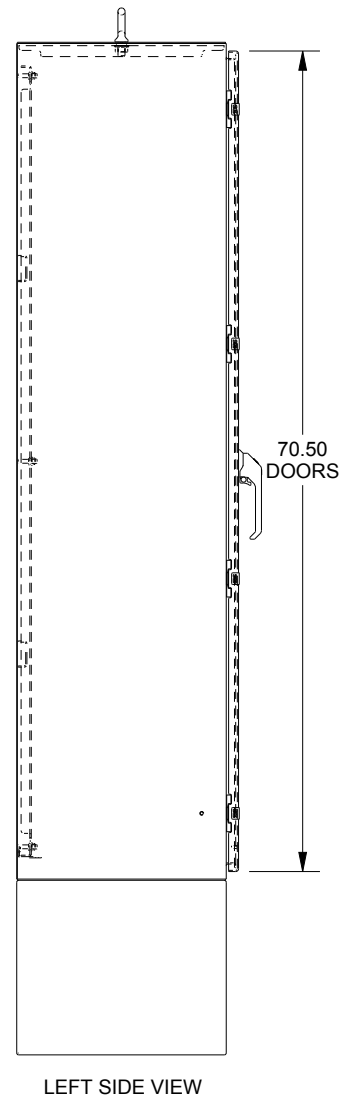
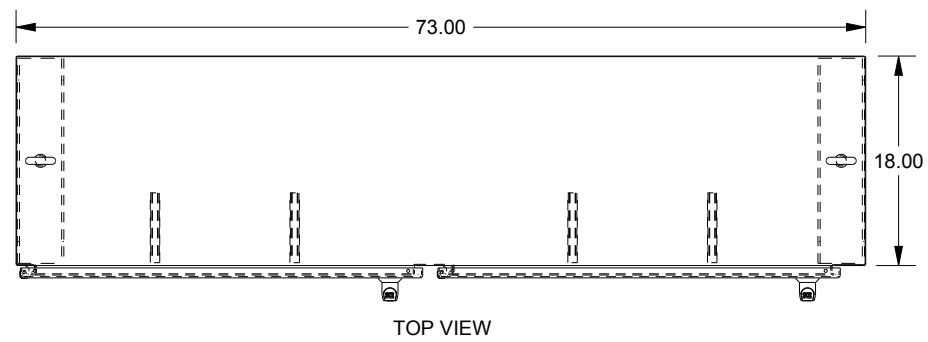


SAGINAW CONTROL & ENGINEERING

SCE-72X7318LP



WASH SYSTEM 2" SQUARE DRAIN HOLES IN THE BOTTOM WITH UL APPROVED HOLE SEALS PROVIDED