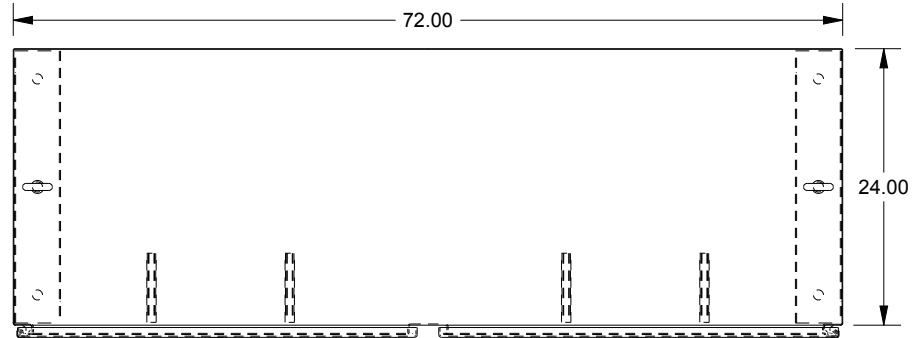
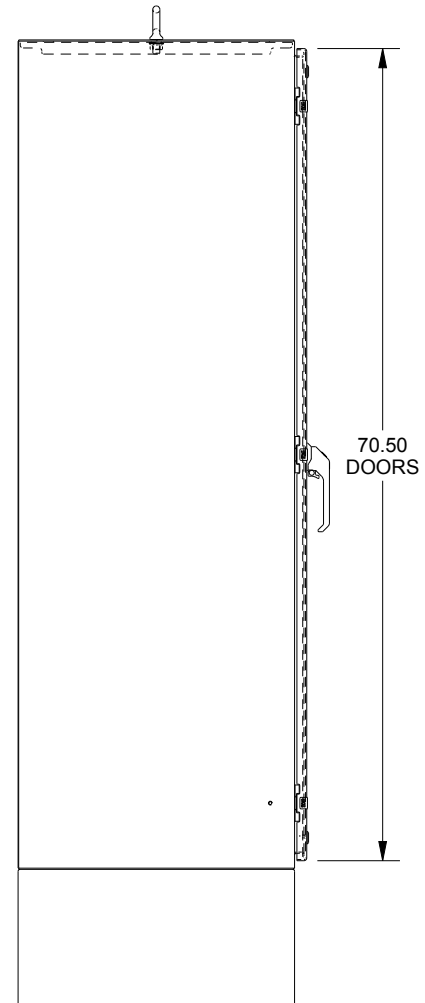


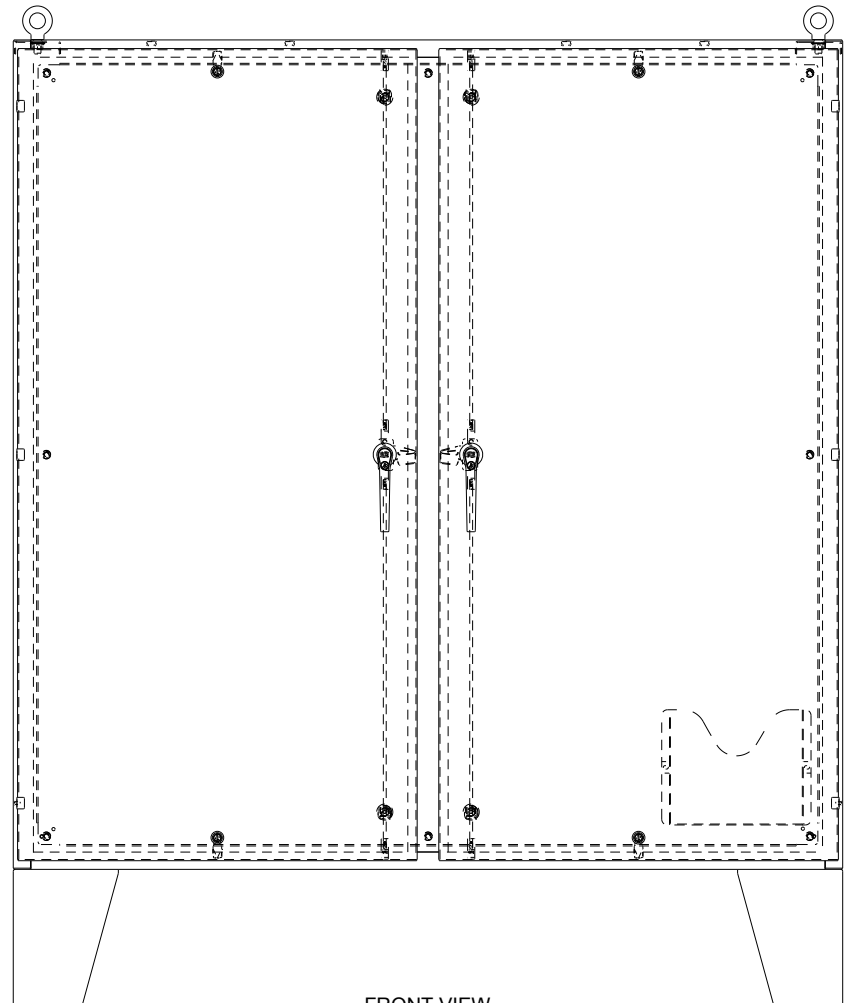
# SAGINAW CONTROL & ENGINEERING SCE-72EL7224SSLPPL



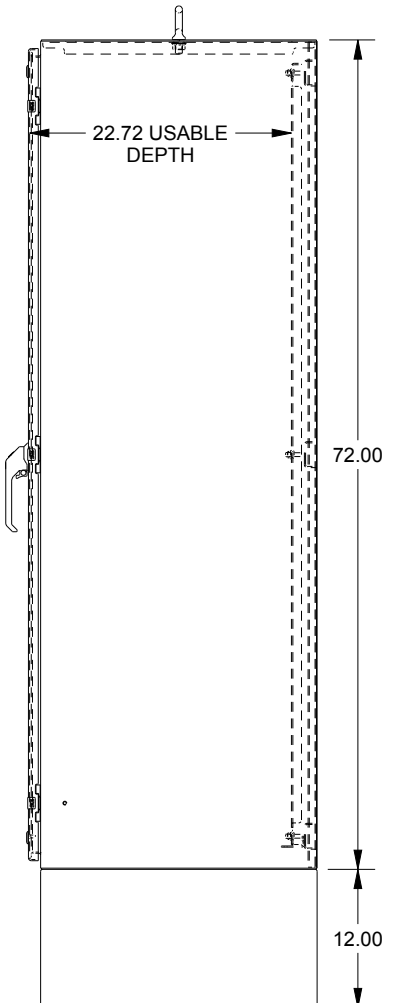
TOP VIEW



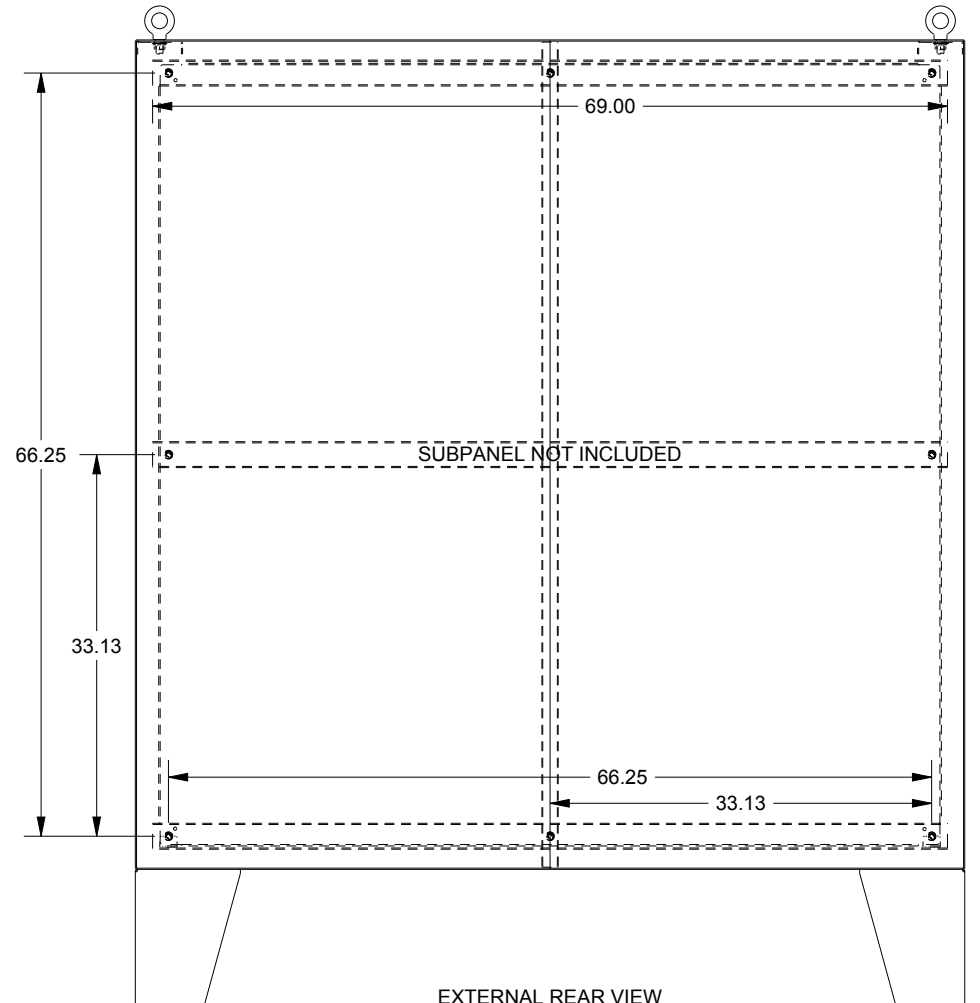
LEFT SIDE VIEW



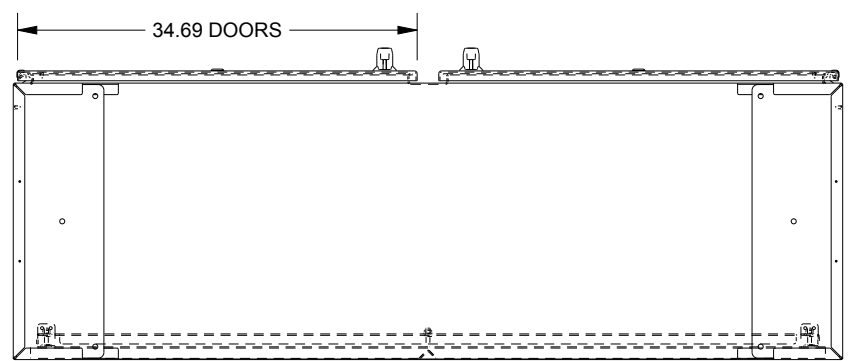
FRONT VIEW



RIGHT SIDE VIEW



EXTERNAL REAR VIEW



BOTTOM VIEW