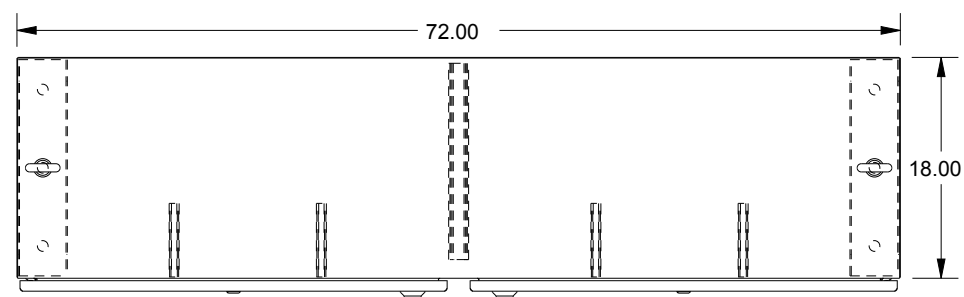
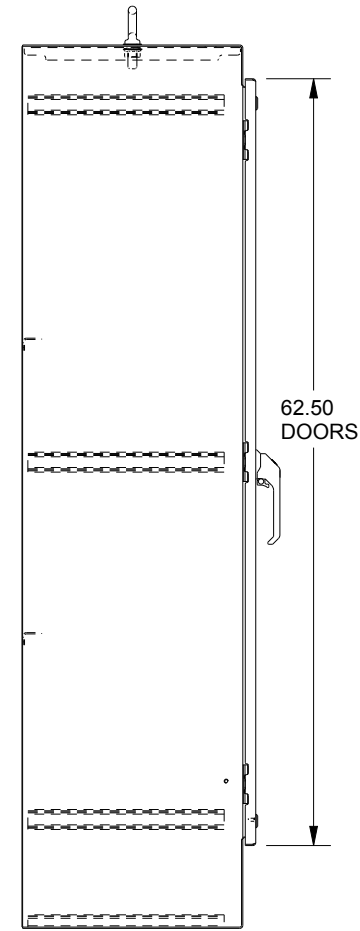


# SAGINAW CONTROL & ENGINEERING

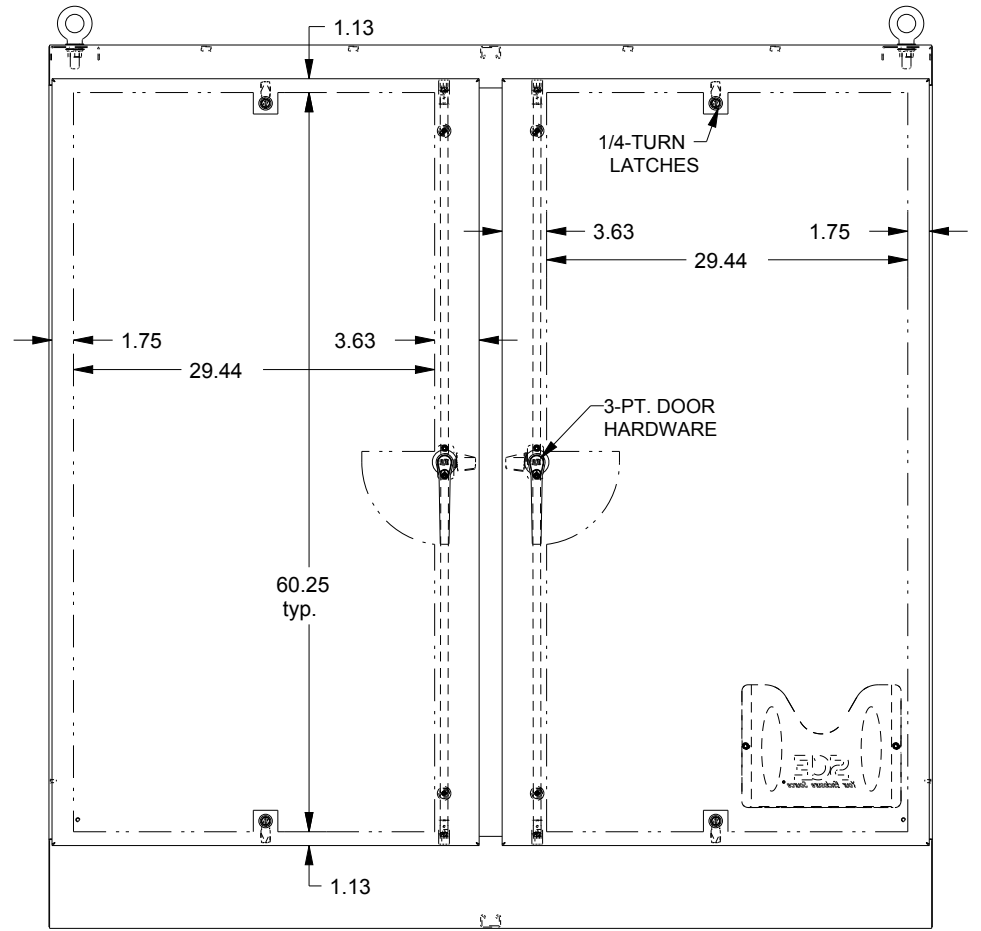
## SCE-72EL7218SS6FSD



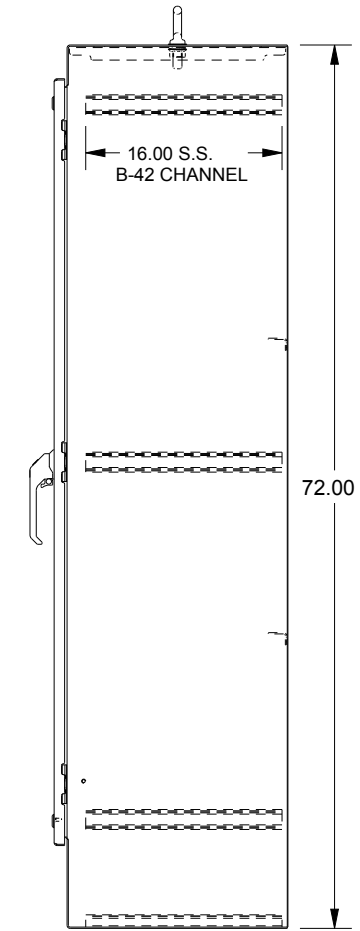
TOP VIEW



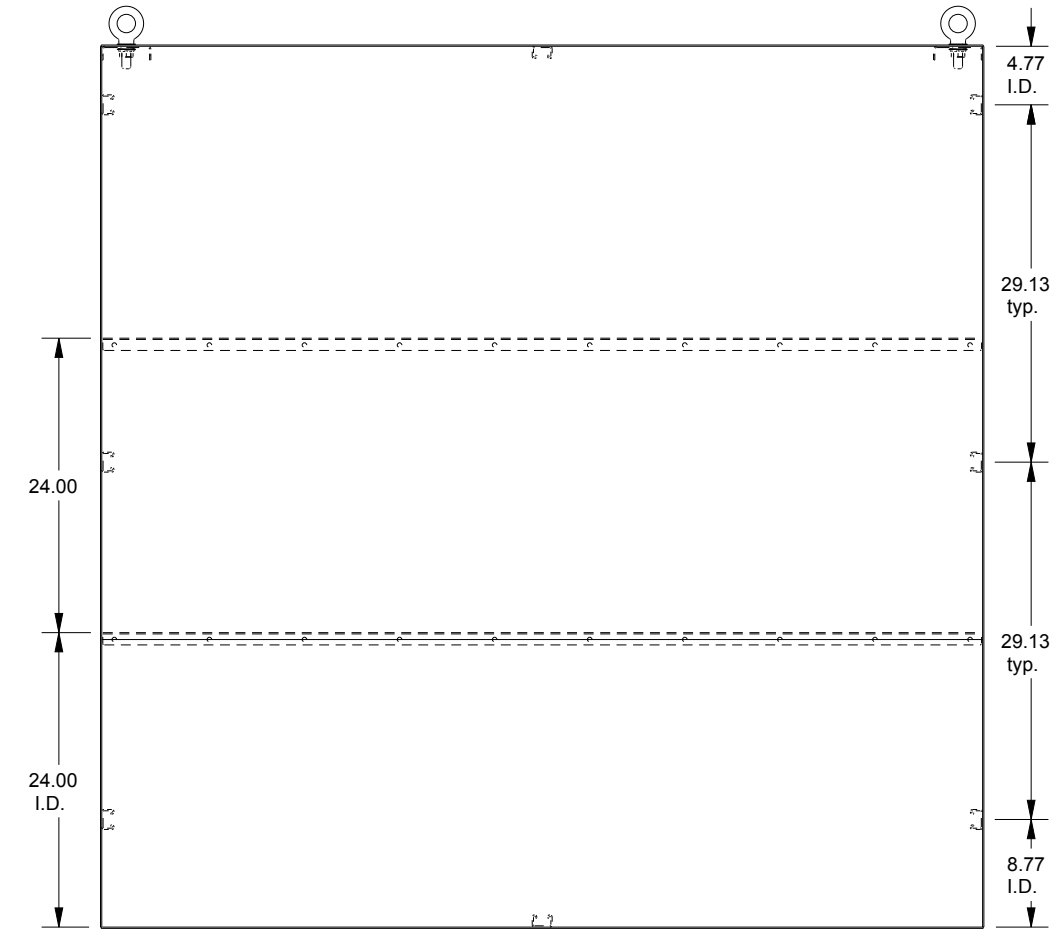
LEFT SIDE VIEW



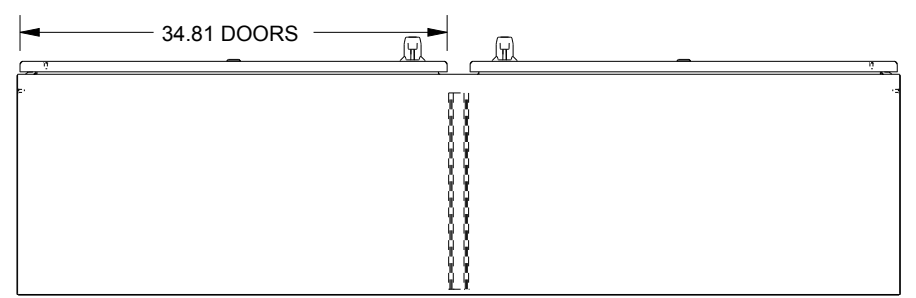
FRONT VIEW



RIGHT SIDE VIEW



EXTERNAL REAR VIEW



BOTTOM VIEW