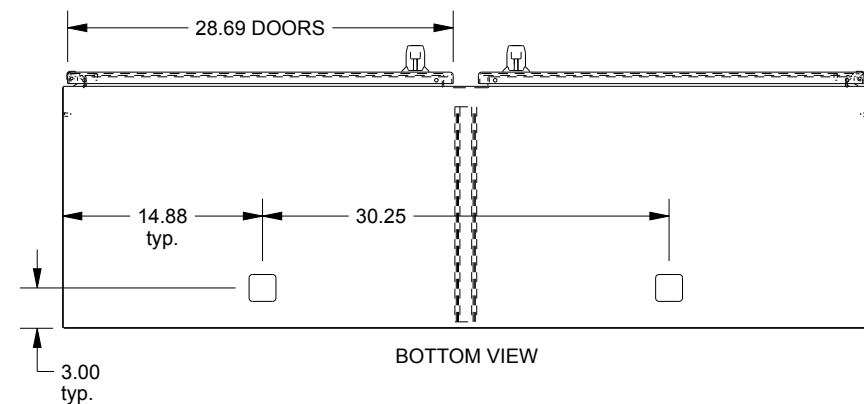
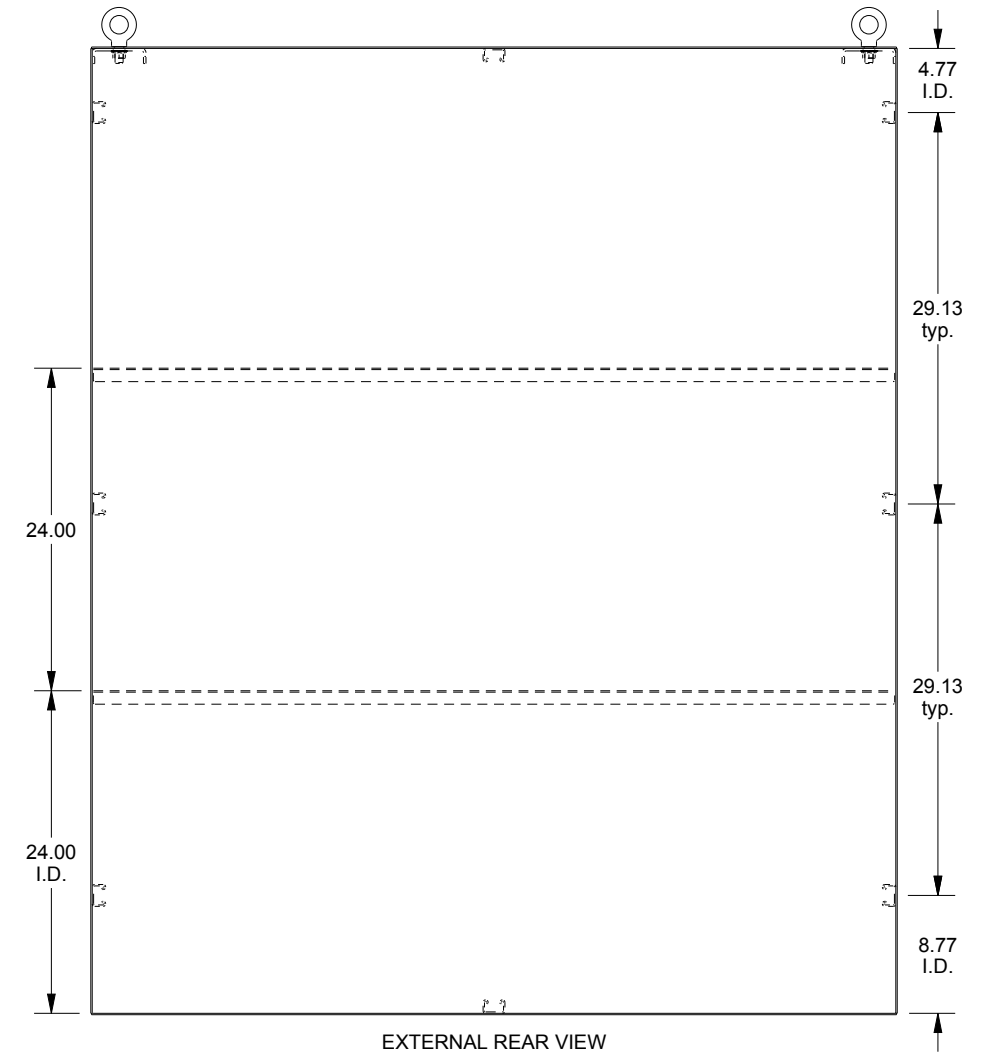
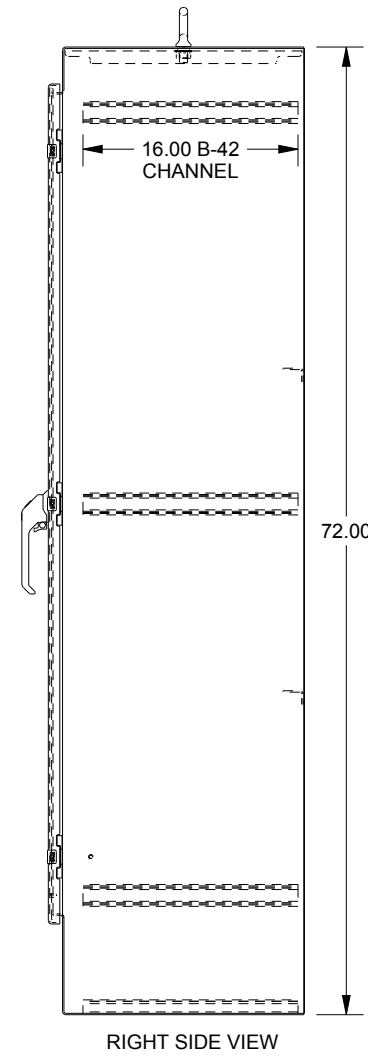
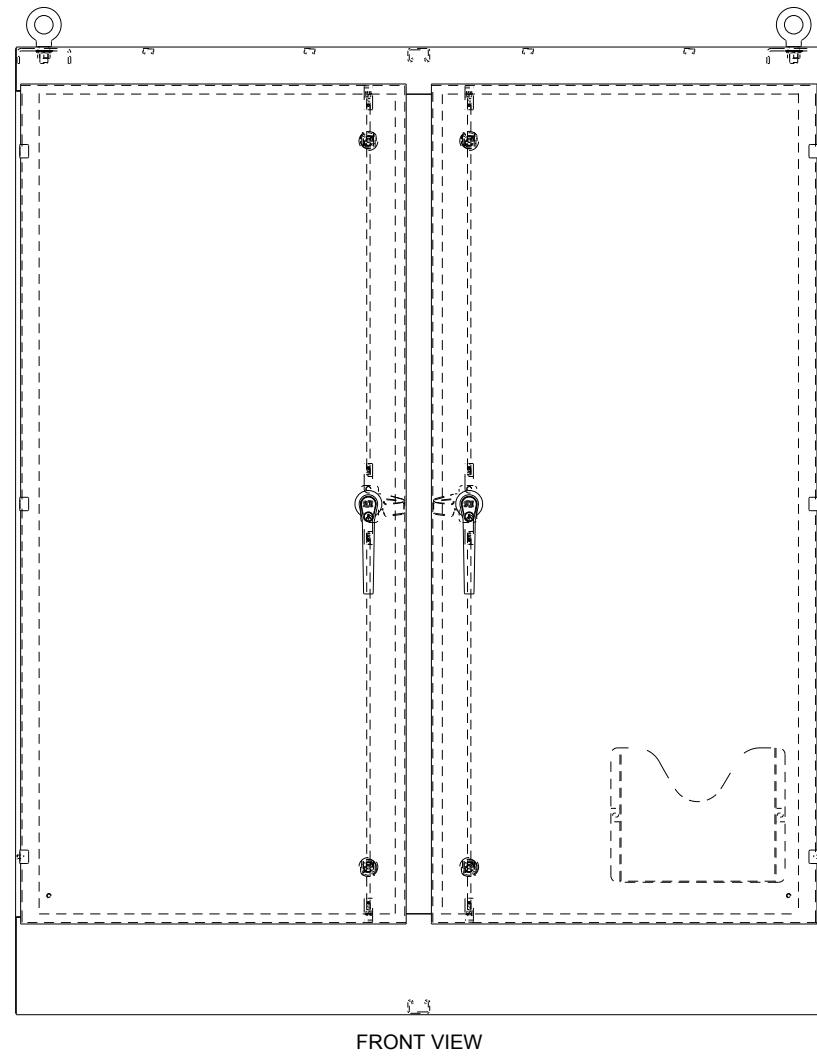
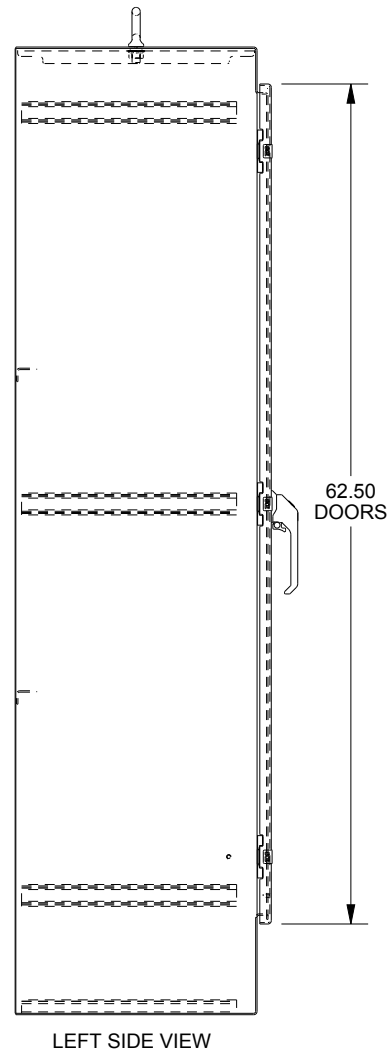
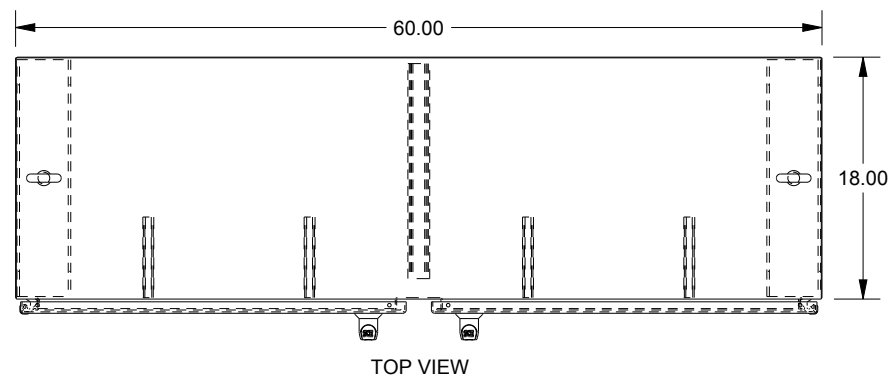


SAGINAW CONTROL & ENGINEERING

SCE-72EL6018FSD



WASH SYSTEM 2" SQUARE DRAIN HOLES IN THE BOTTOM WITH UL APPROVED HOLE SEALS PROVIDED