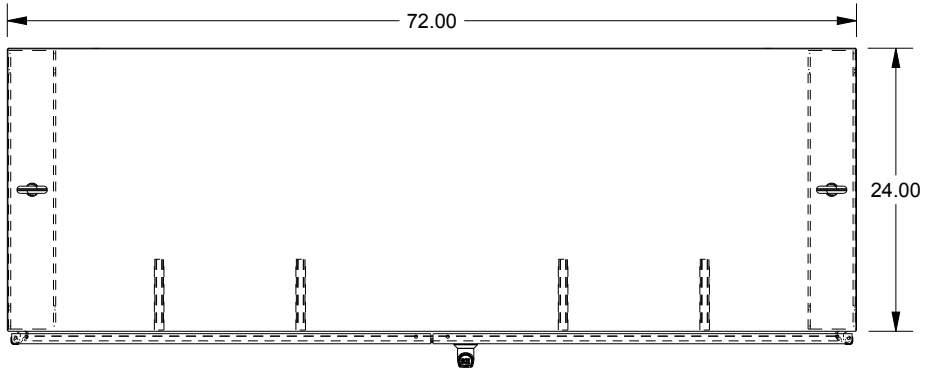
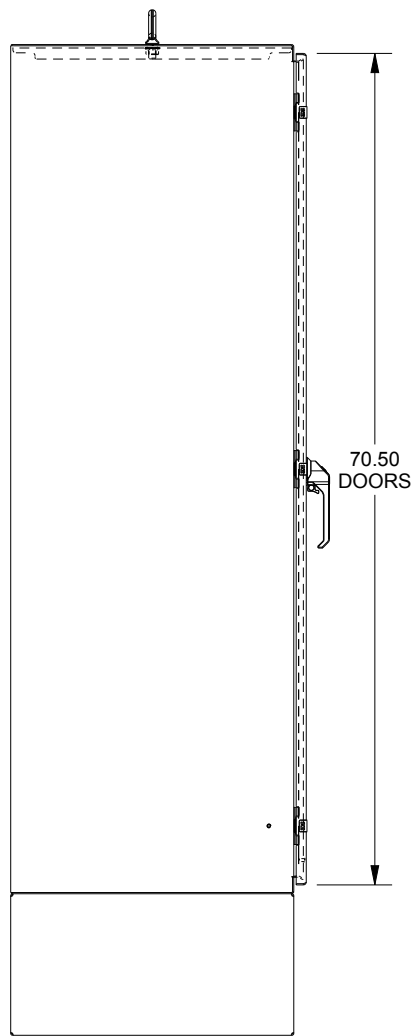


SAGINAW CONTROL & ENGINEERING

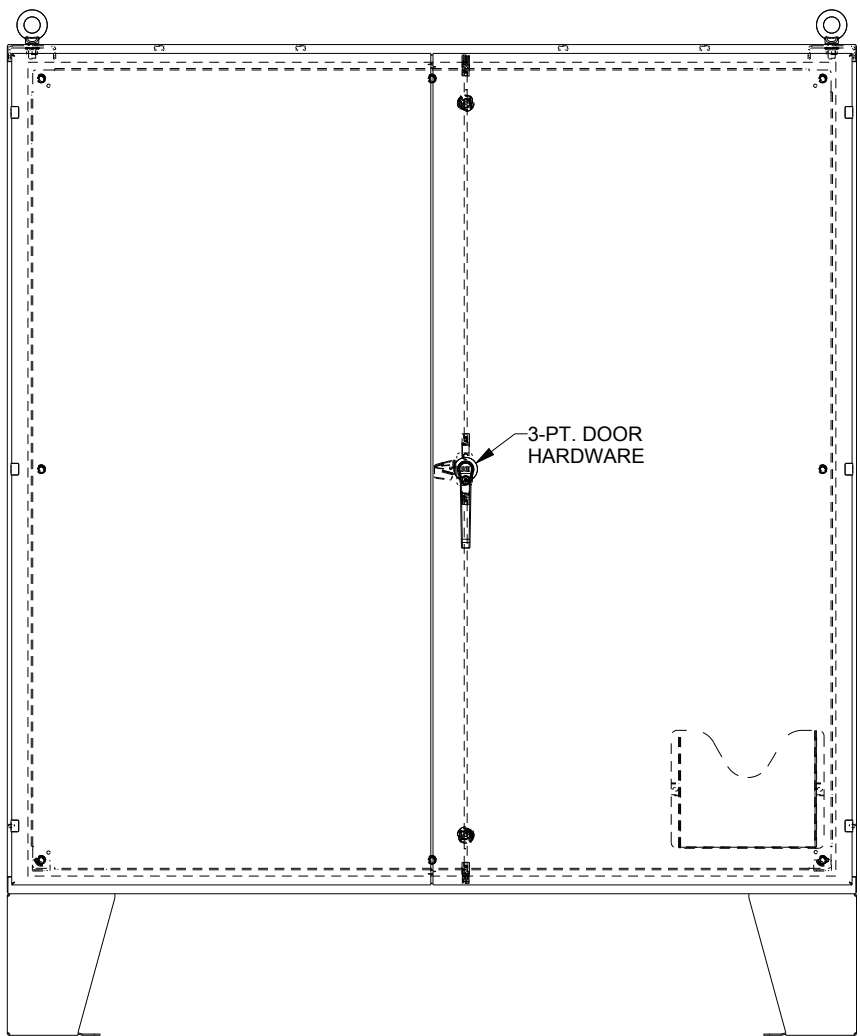
SCE-727224ULP



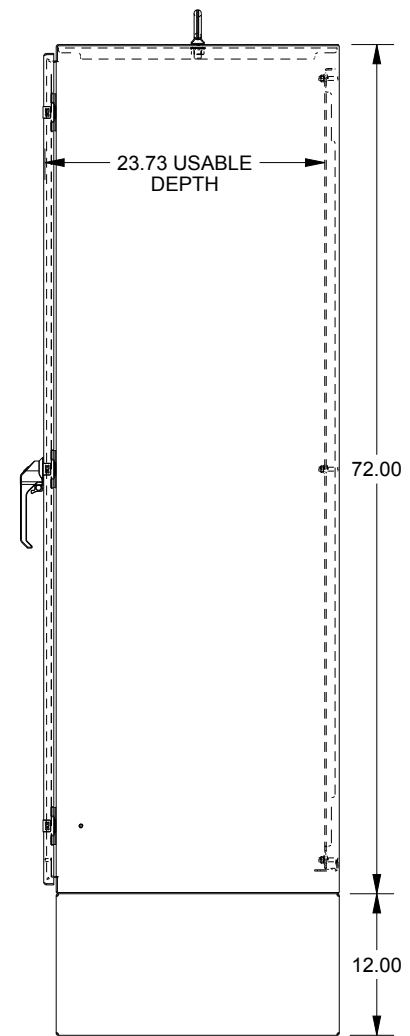
TOP VIEW



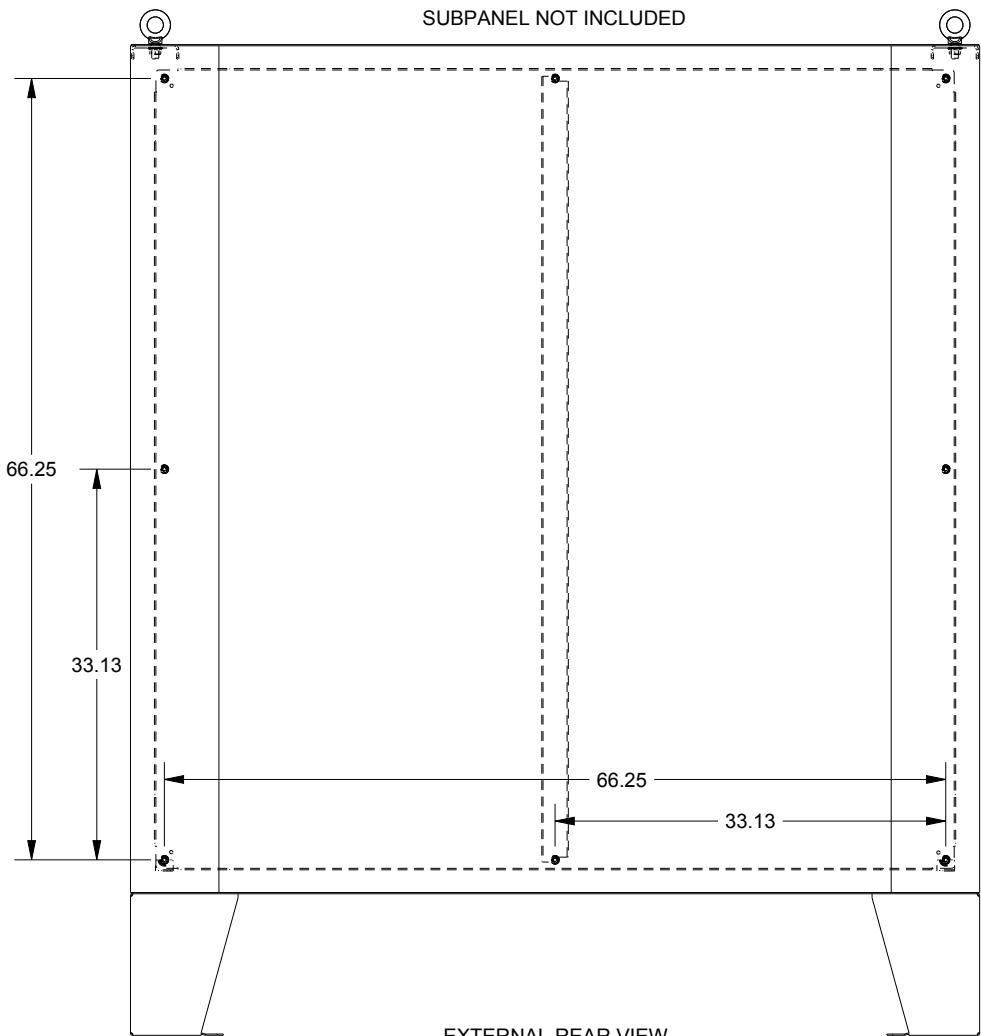
LEFT SIDE VIEW



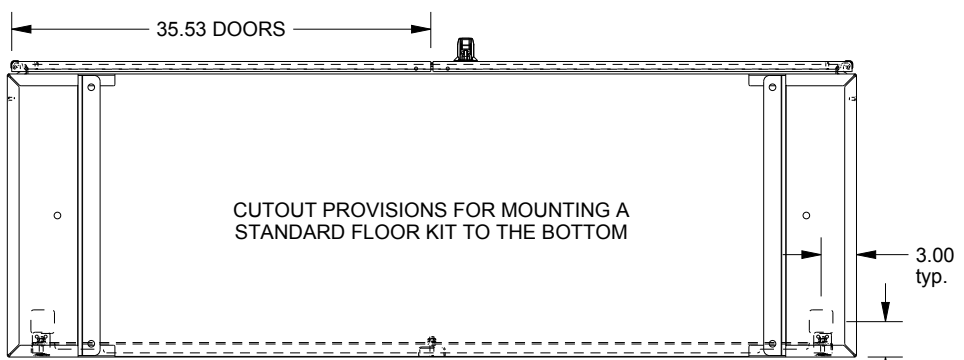
FRONT VIEW



RIGHT SIDE VIEW



EXTERNAL REAR VIEW



BOTTOM VIEW

WASH SYSTEM 2" SQUARE DRAIN HOLES IN THE BOTTOM WITH UL APPROVED HOLE SEALS PROVIDED