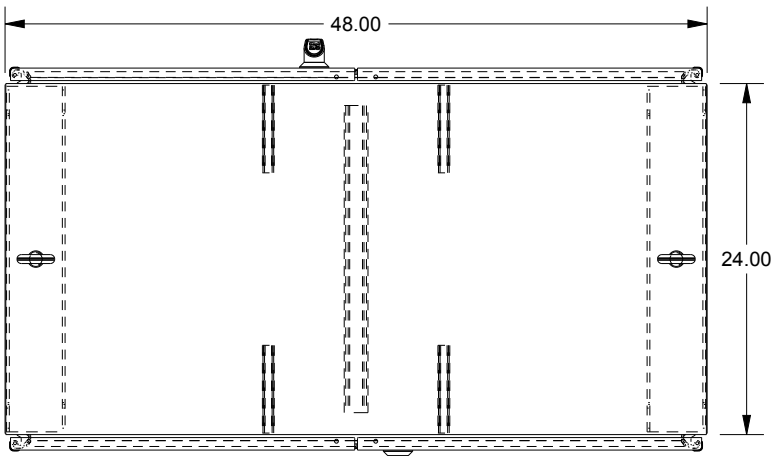
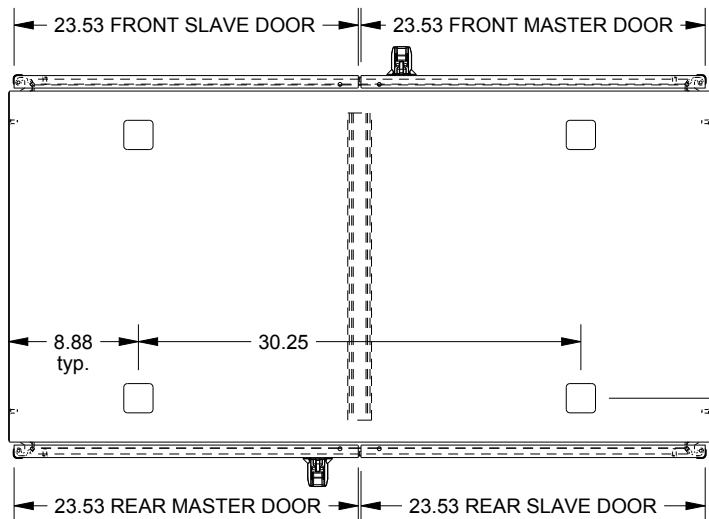


SAGINAW CONTROL & ENGINEERING

SCE-724824FSDAD

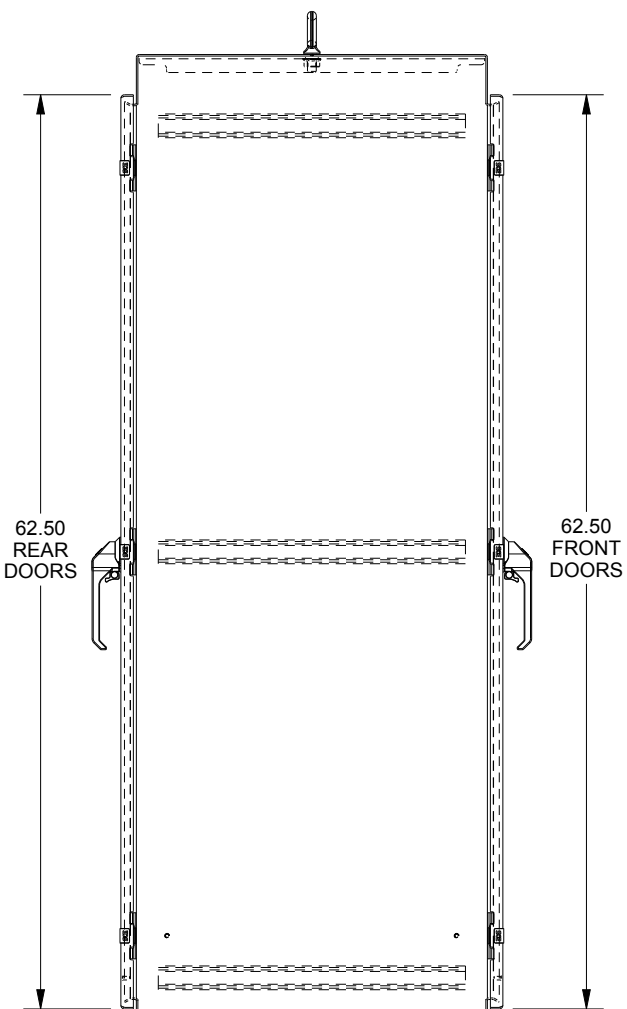


TOP VIEW

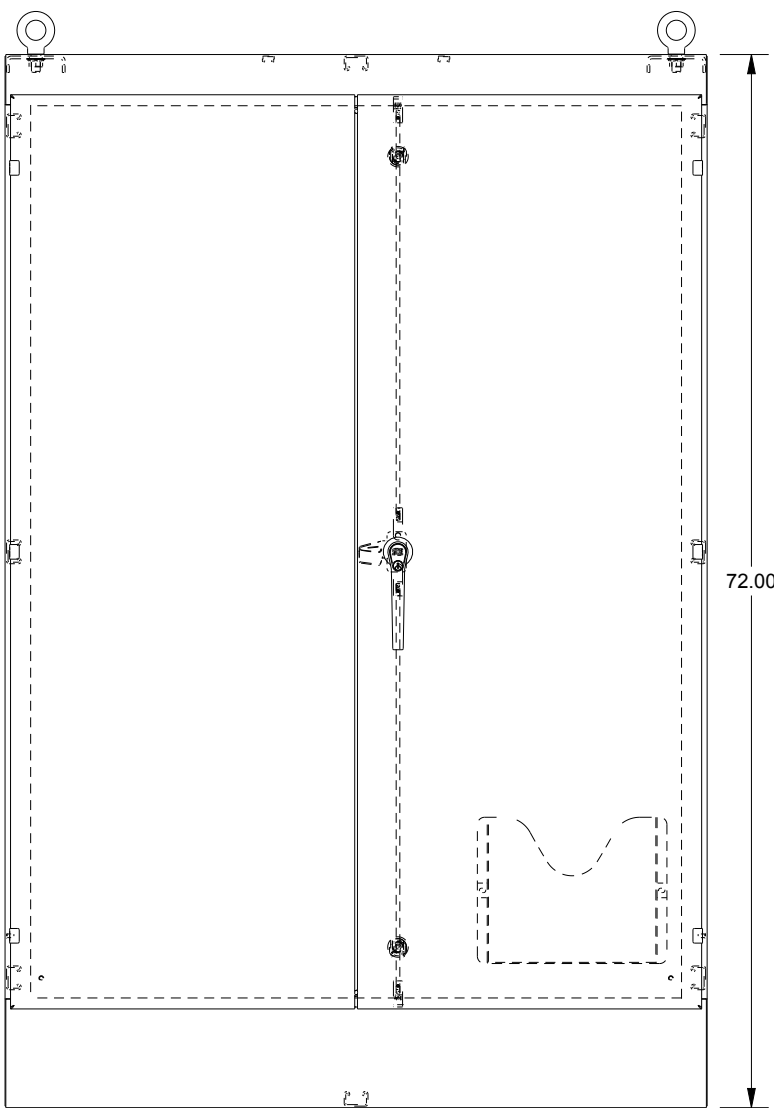


BOTTOM VIEW

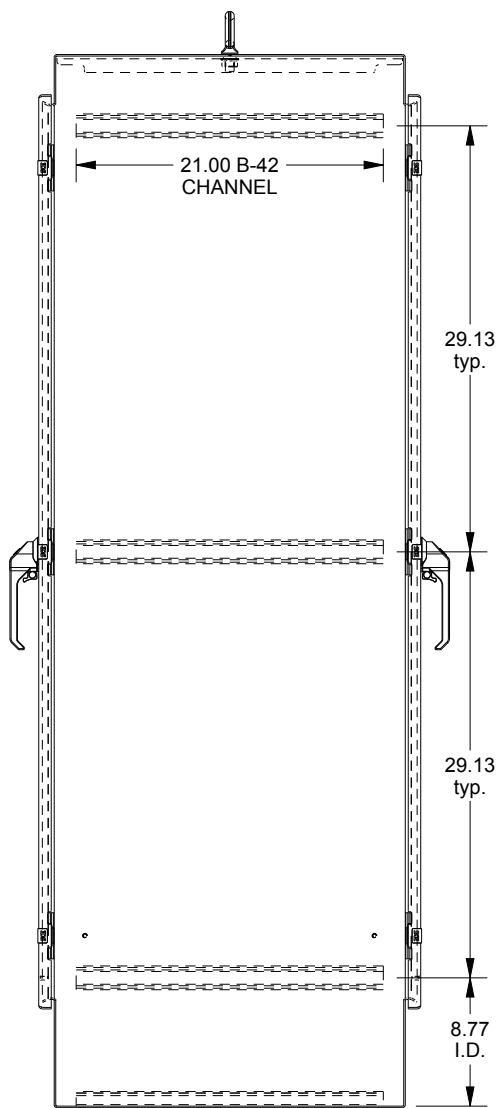
WASH SYSTEM 2" SQUARE DRAIN HOLES
IN THE BOTTOM WITH UL APPROVED
HOLE SEALS PROVIDED



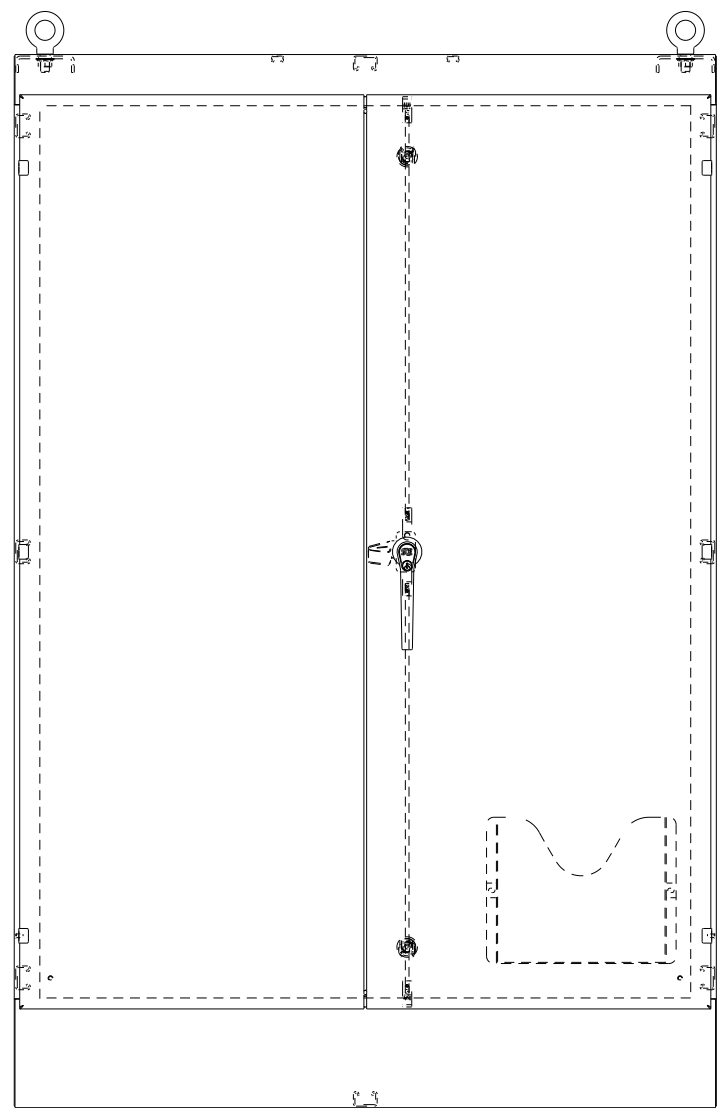
LEFT SIDE VIEW



FRONT VIEW



RIGHT SIDE VIEW



EXTERNAL REAR VIEW