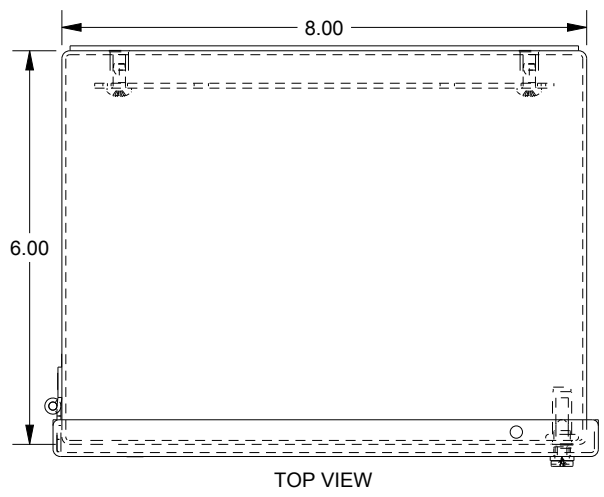
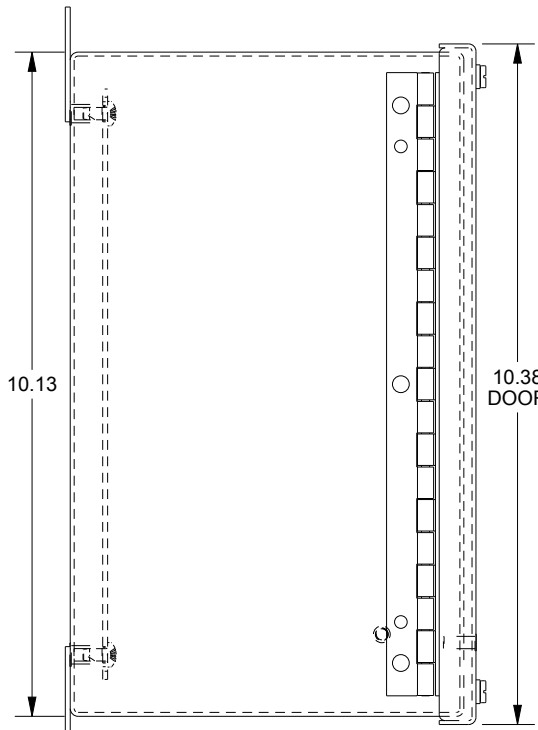


# SAGINAW CONTROL & ENGINEERING

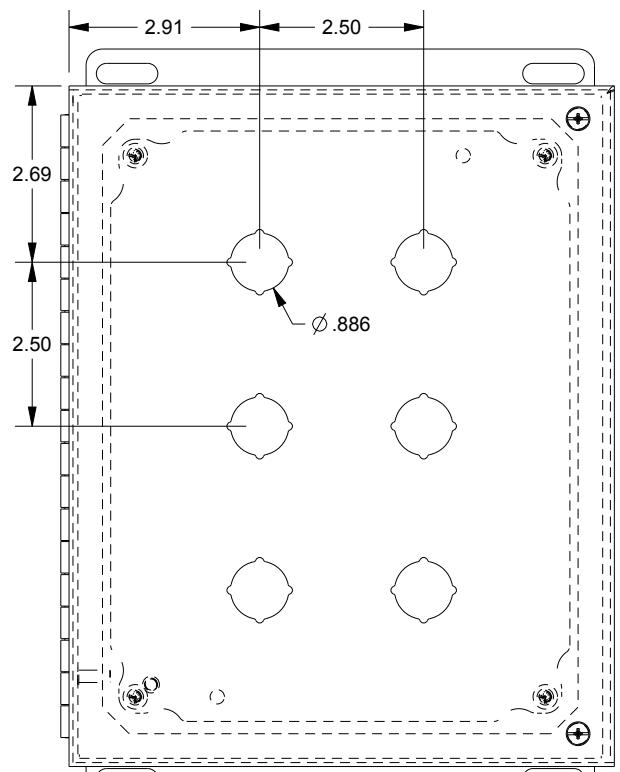
## SCE-6PBHI



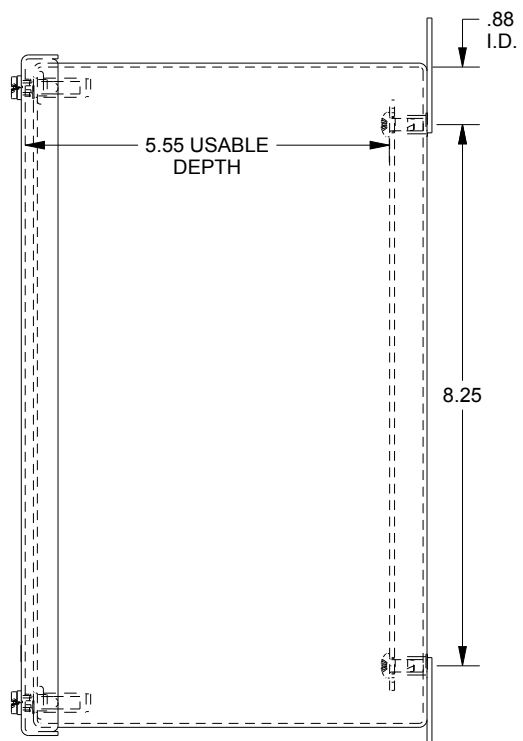
TOP VIEW



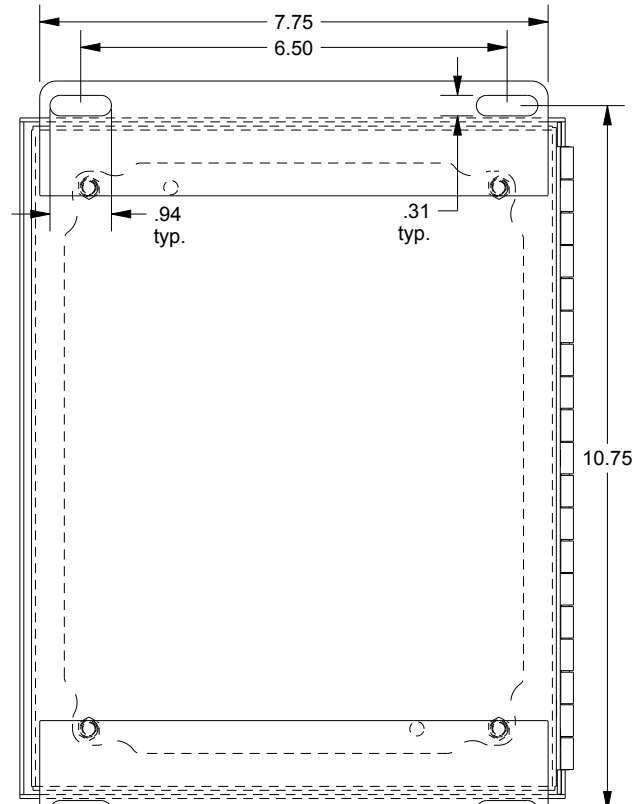
LEFT SIDE VIEW



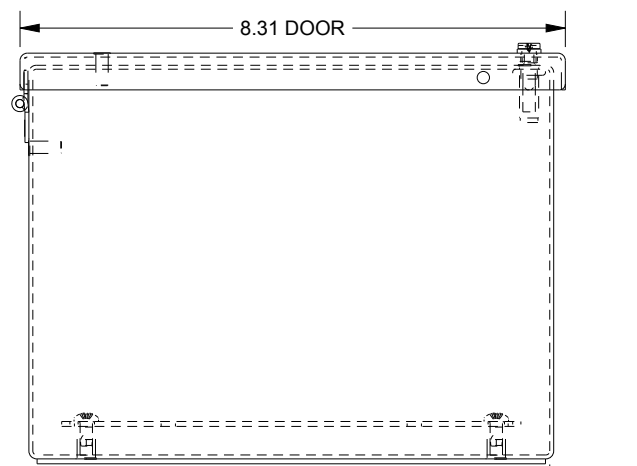
FRONT VIEW



RIGHT SIDE VIEW



EXTERNAL REAR VIEW



BOTTOM VIEW