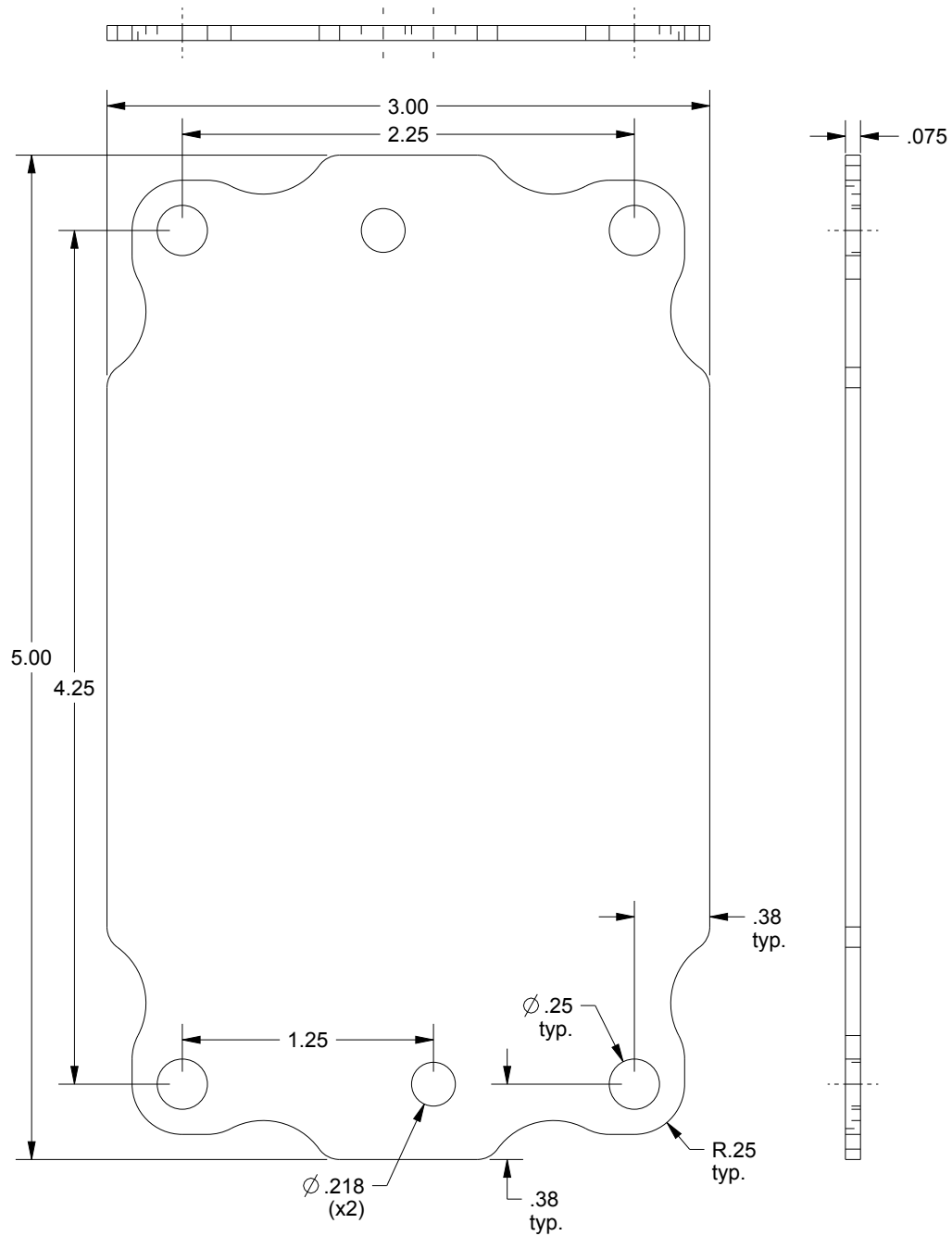


SAGINAW CONTROL & ENGINEERING

SCE-6P4GALV



SUBPANEL FRONT VIEW