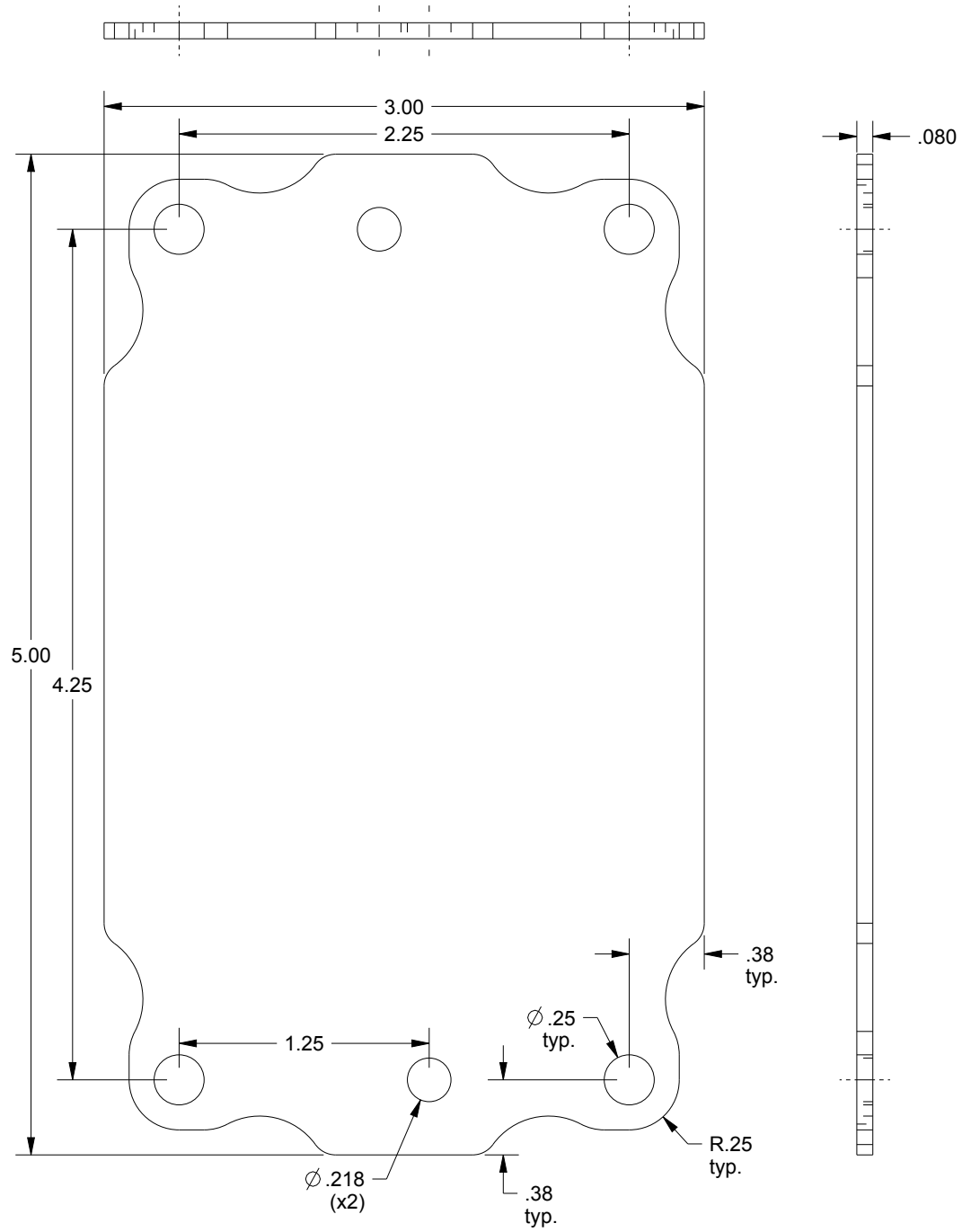


SAGINAW CONTROL & ENGINEERING

SCE-6P4AL



SUBPANEL FRONT VIEW