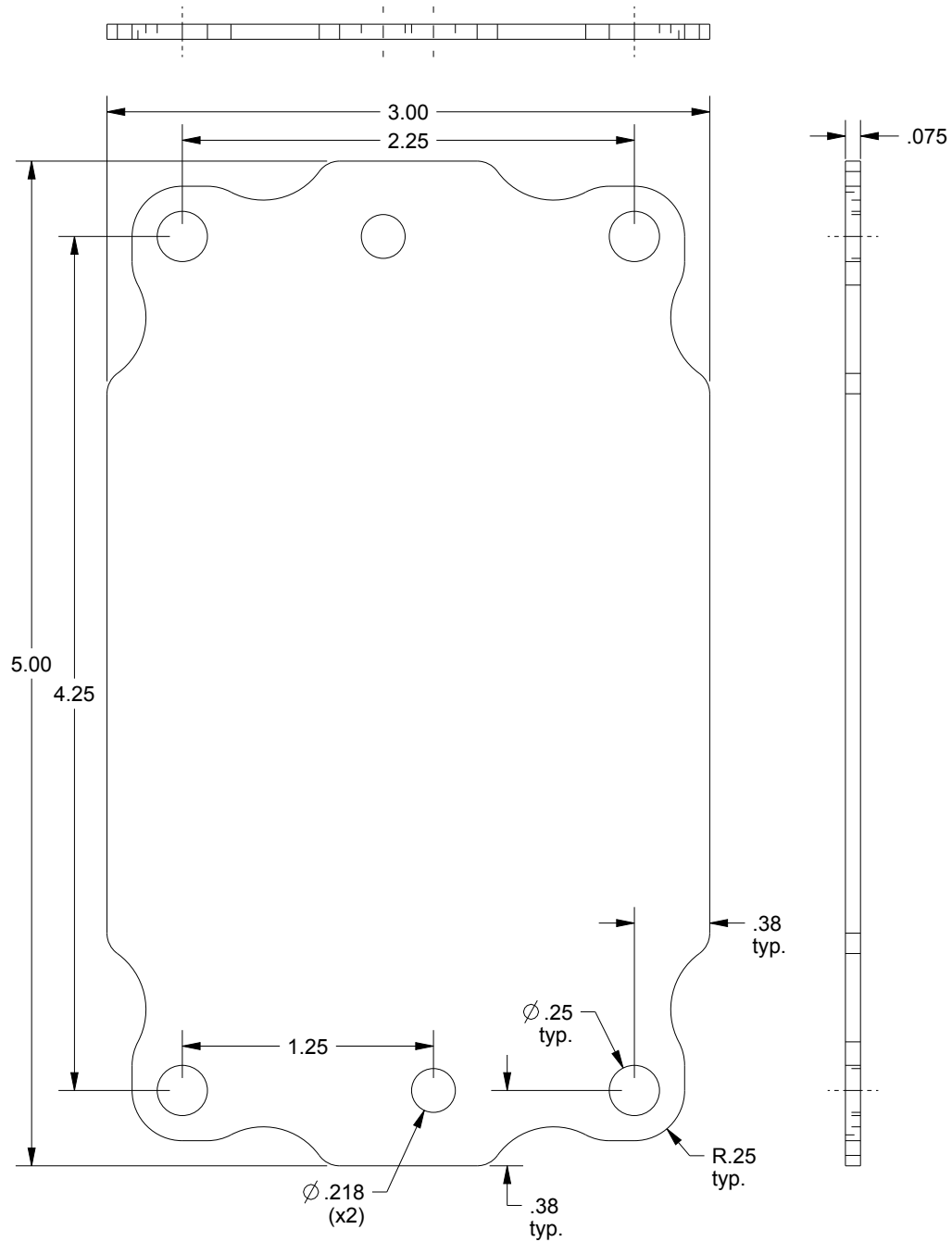


SAGINAW CONTROL & ENGINEERING

SCE-6P4



SUBPANEL FRONT VIEW