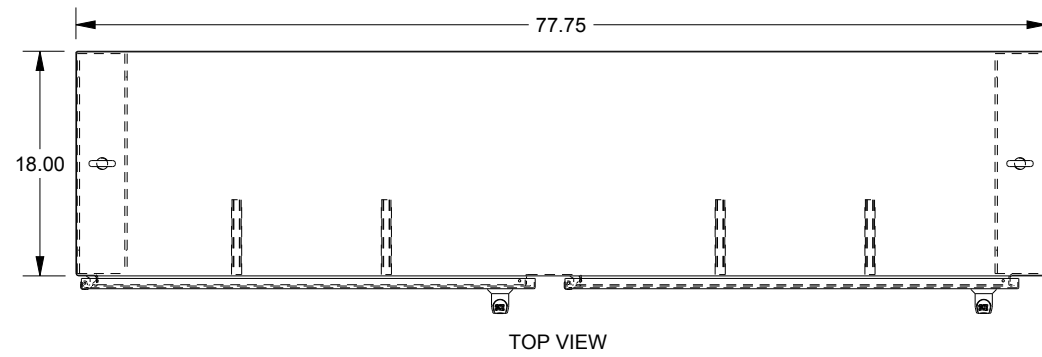
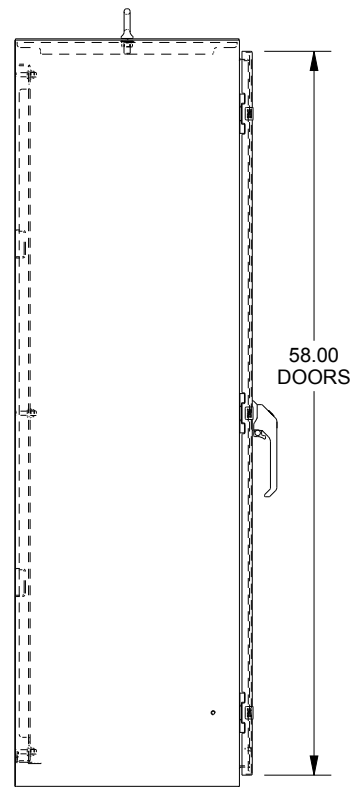


SAGINAW CONTROL & ENGINEERING

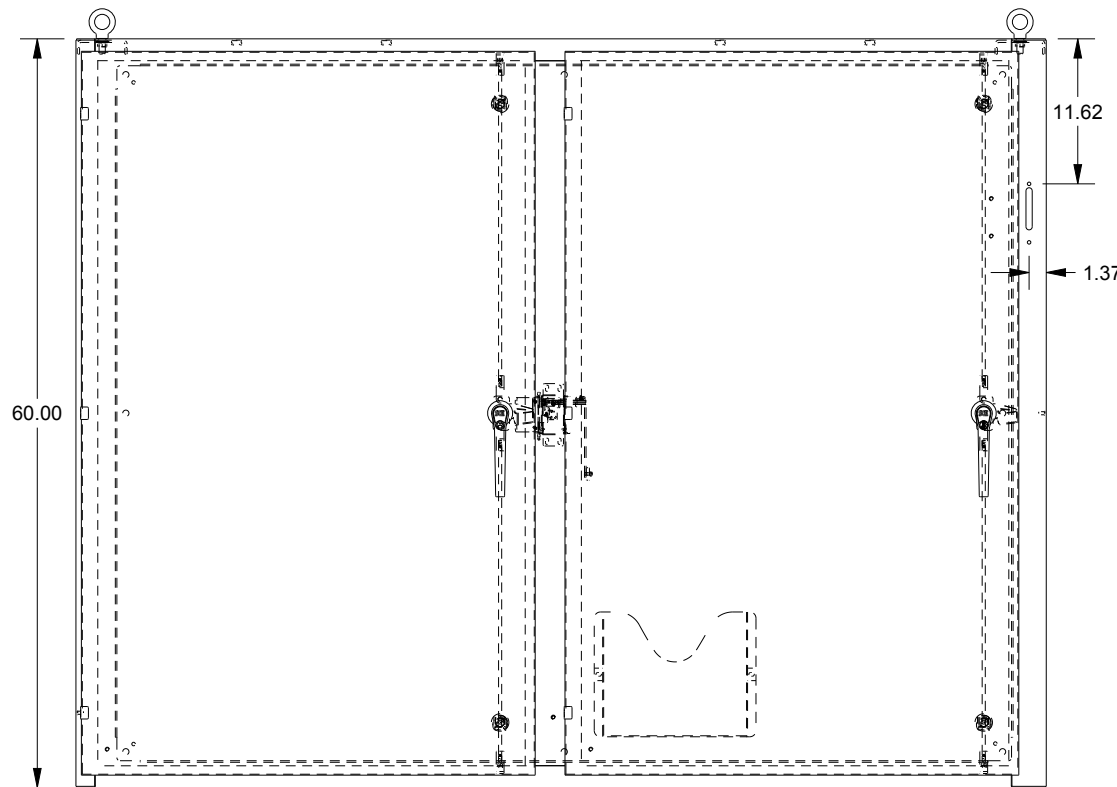
SCE-60X2D7818



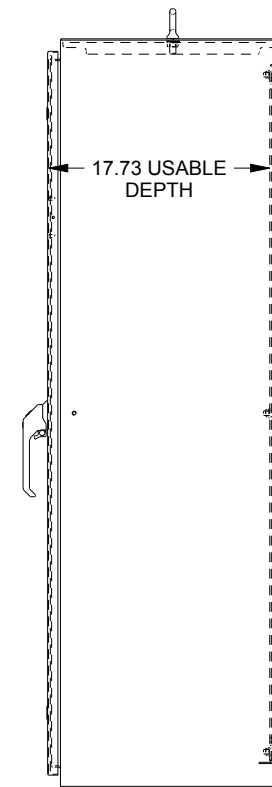
TOP VIEW



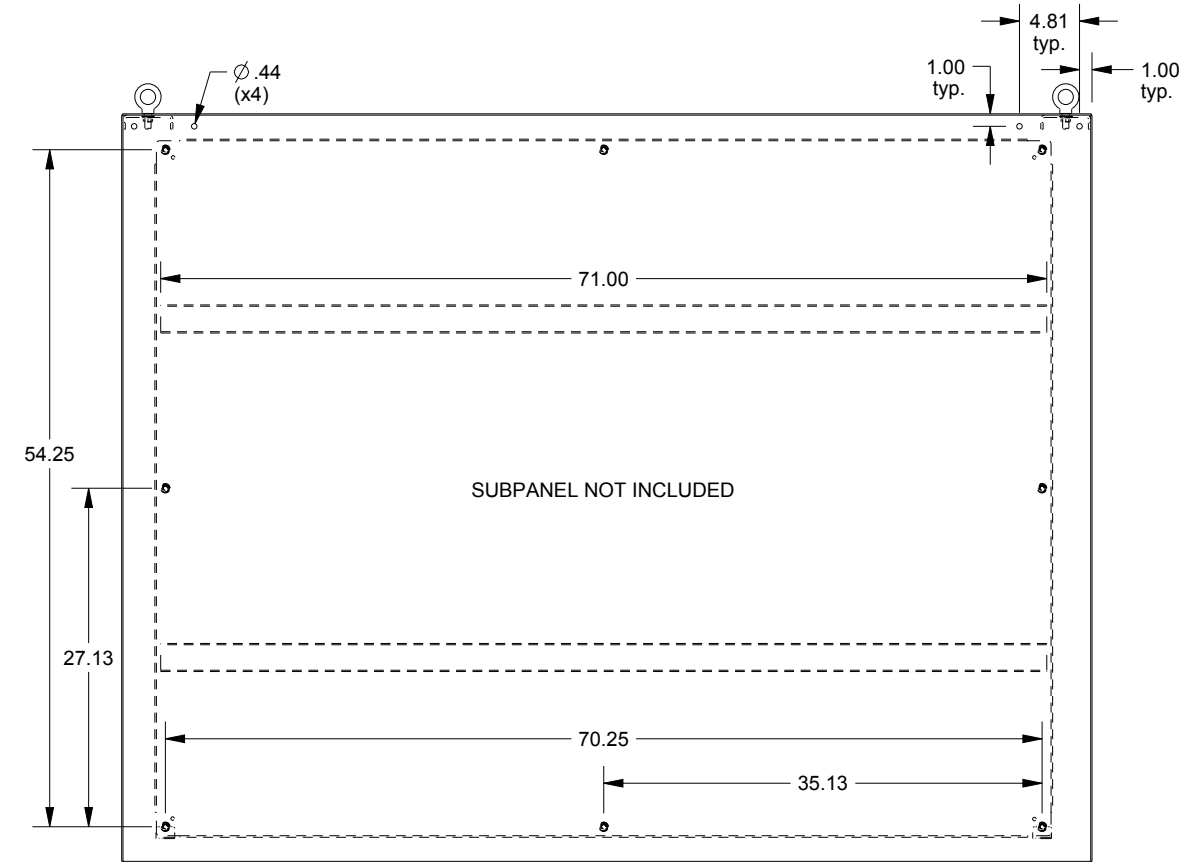
LEFT SIDE VIEW



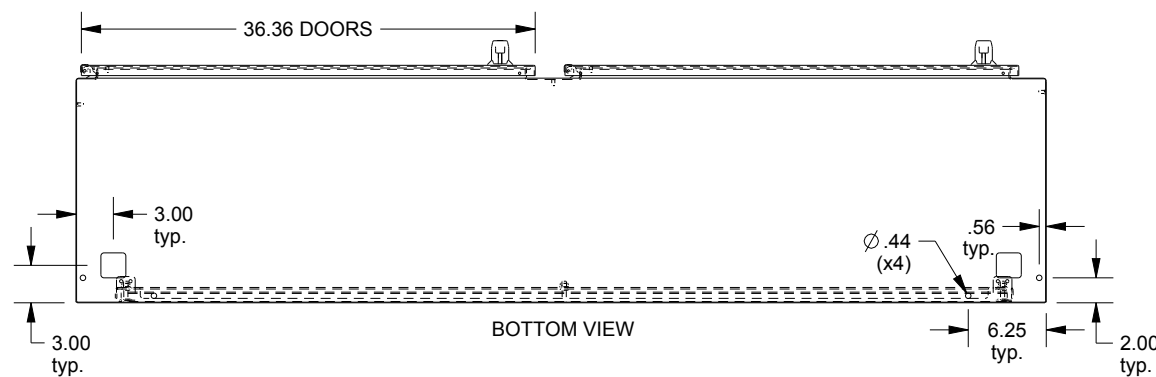
FRONT VIEW



RIGHT SIDE VIEW



EXTERNAL REAR VIEW



BOTTOM VIEW

CUTOUT PROVISIONS IN THE BOTTOM AND IN THE REAR WALL FOR SECURING OPTIONAL HEAVY DUTY WALL MOUNTING BRACKET KIT SCE-HDWMK

WASH SYSTEM 2" SQUARE DRAIN HOLES IN THE BOTTOM WITH UL APPROVED HOLE SEALS PROVIDED