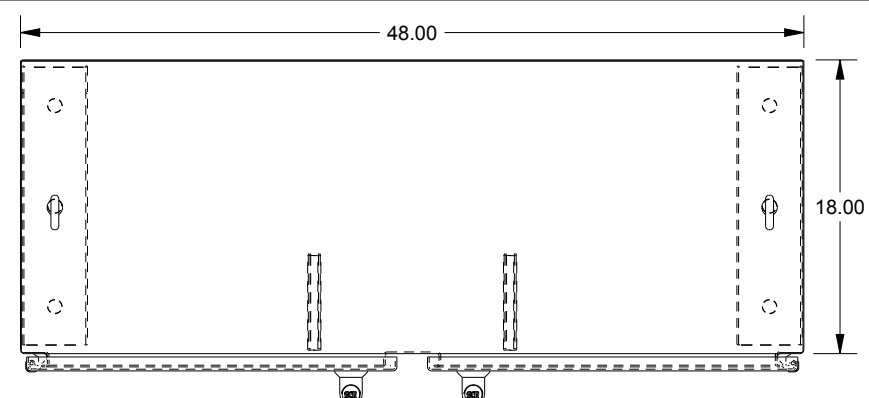
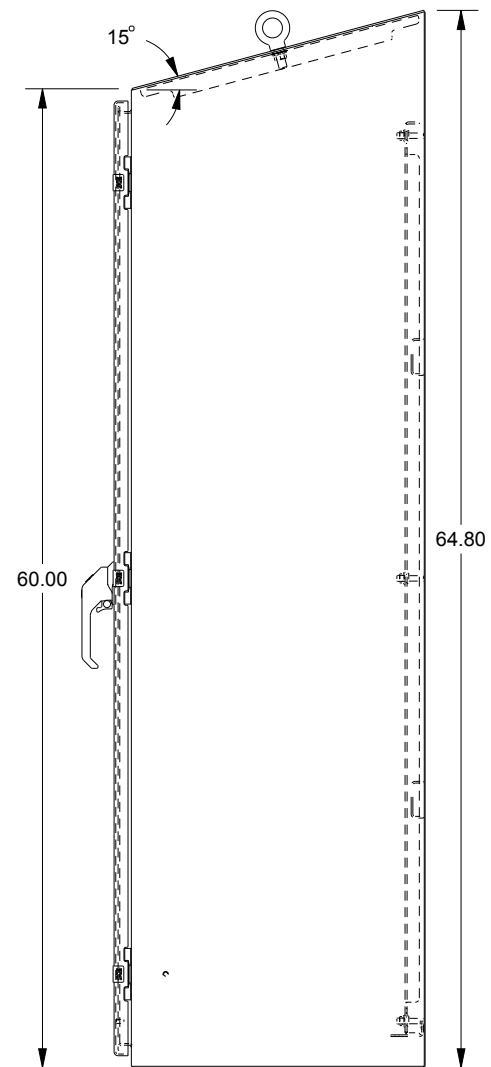


# SAGINAW CONTROL & ENGINEERING

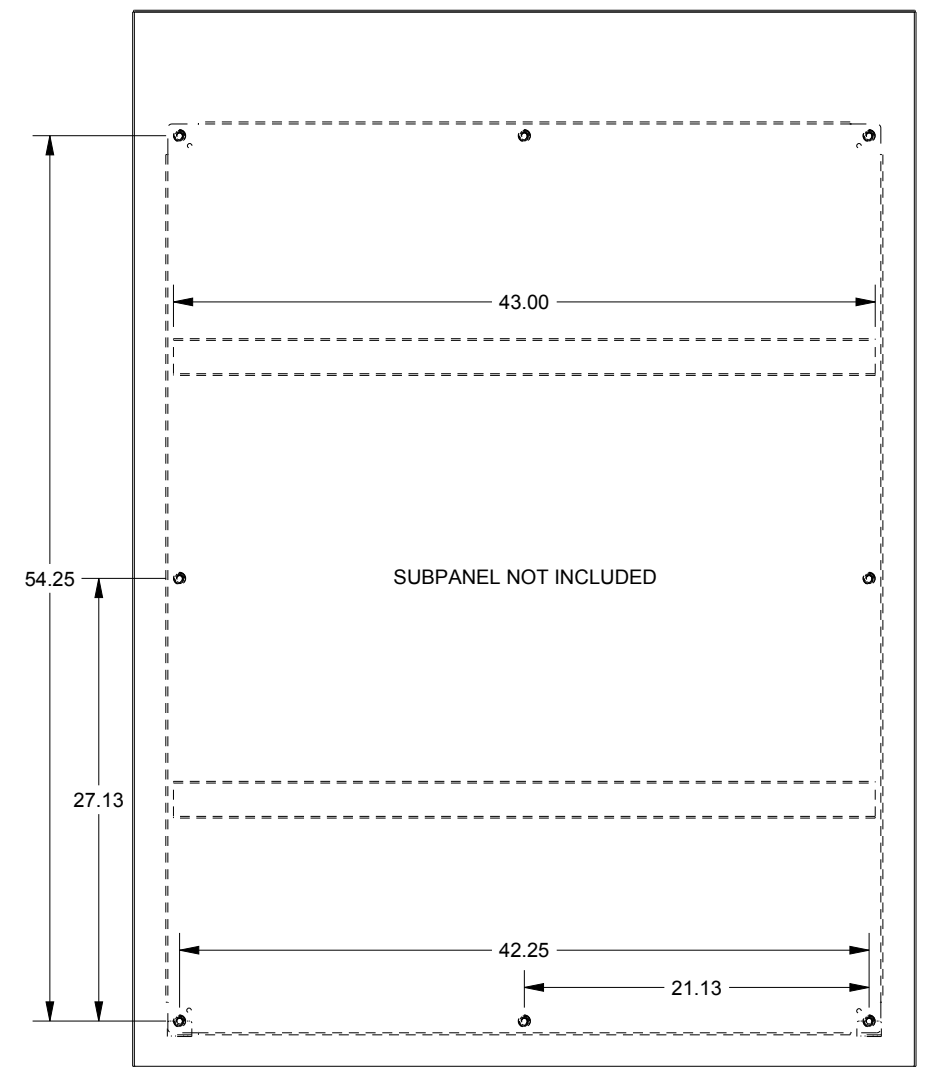
## SCE-60EL4818SSST



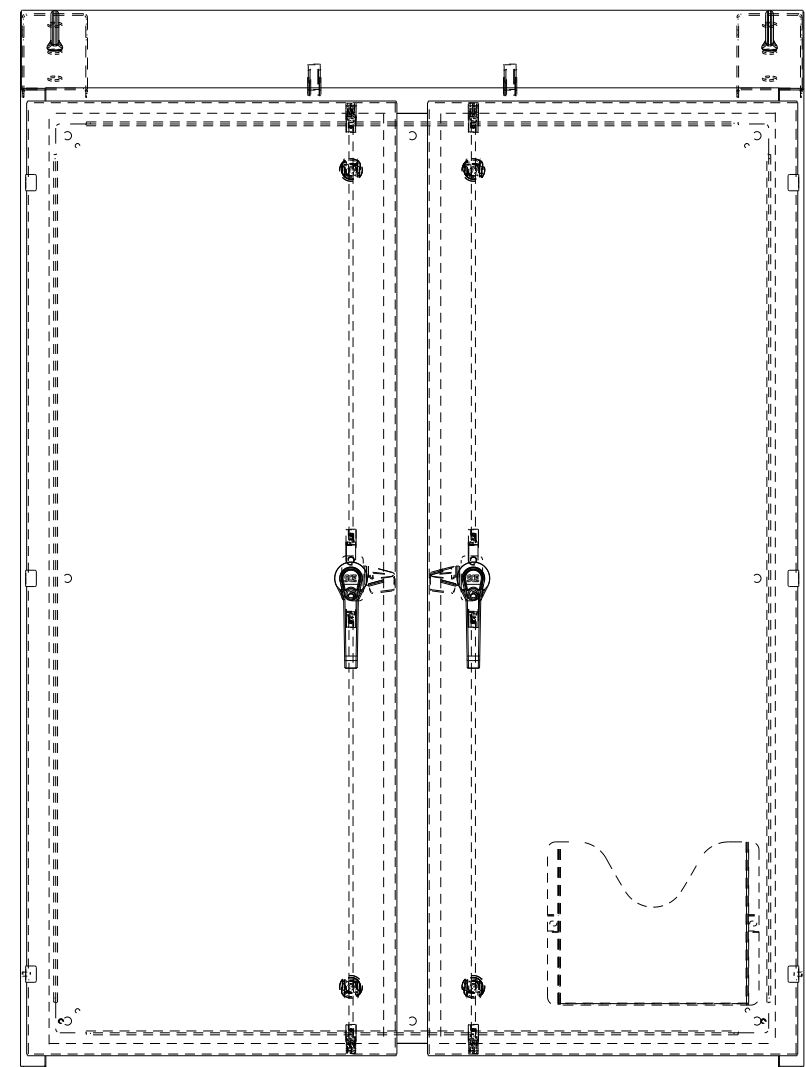
TOP VIEW



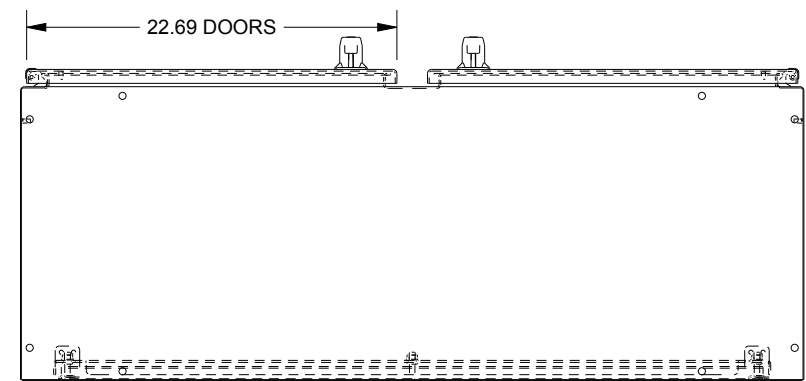
RIGHT SIDE VIEW



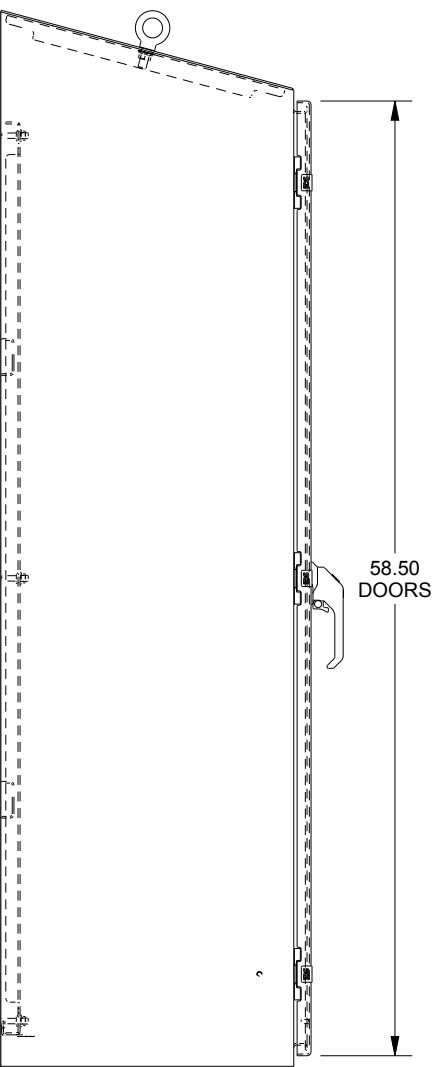
EXTERNAL REAR VIEW



FRONT VIEW



BOTTOM VIEW



LEFT SIDE VIEW