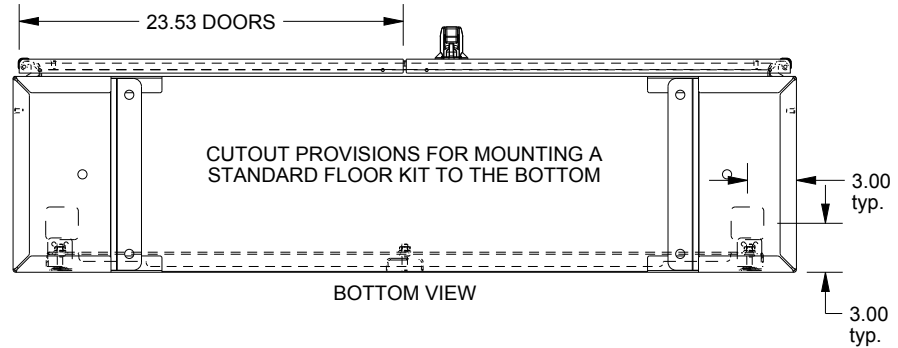
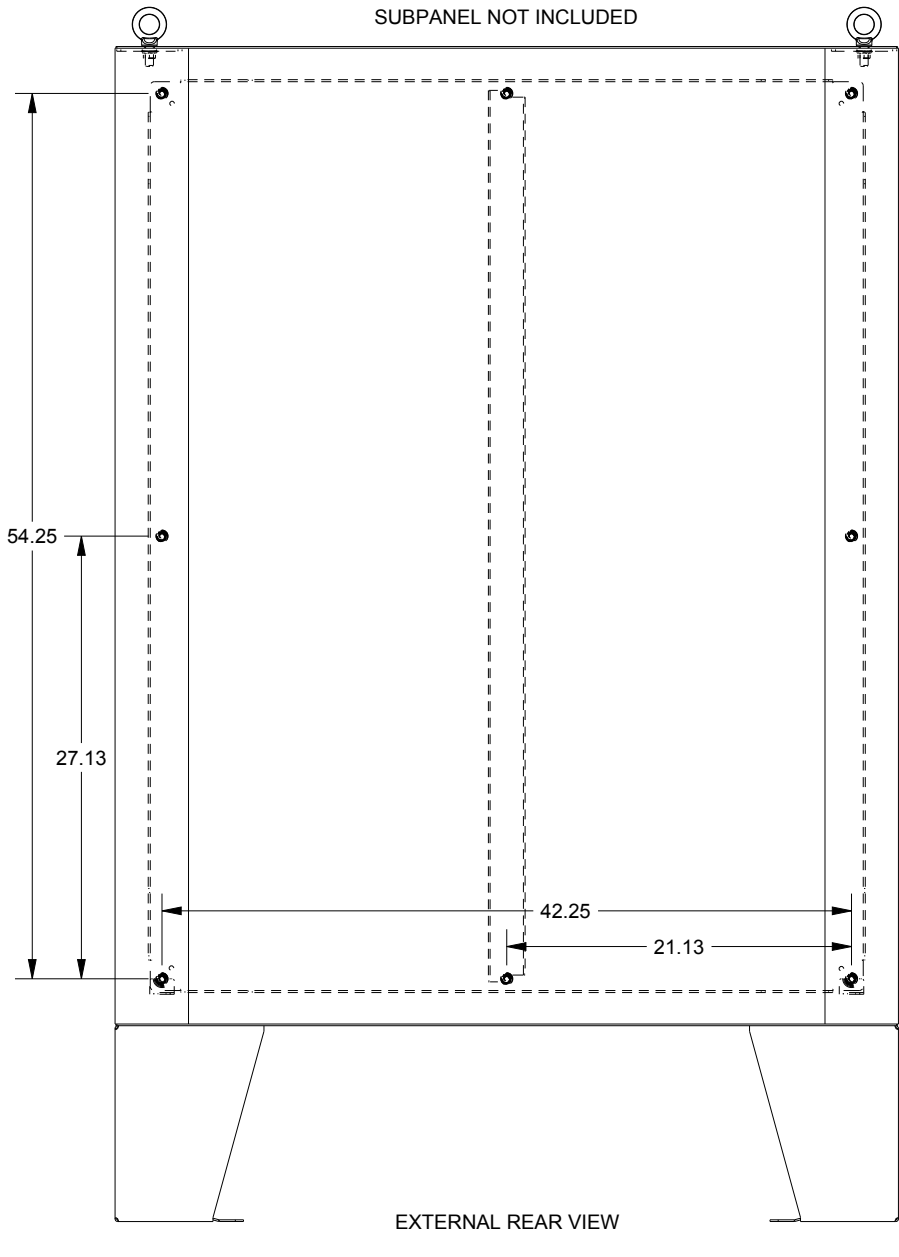
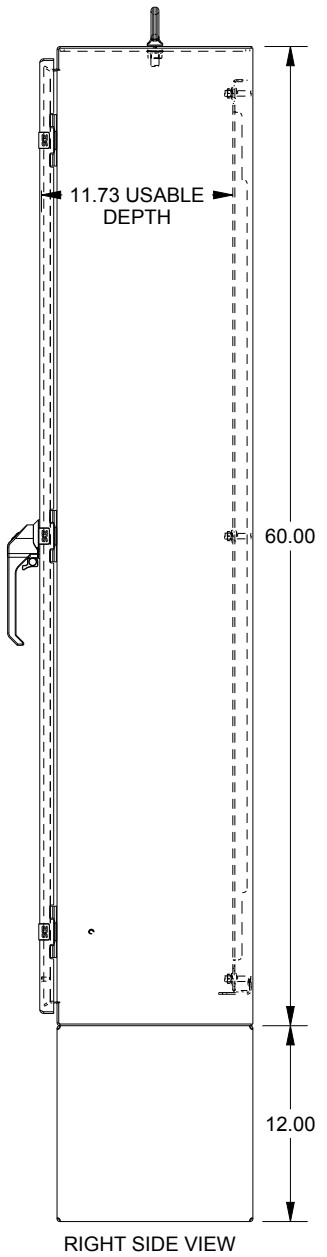
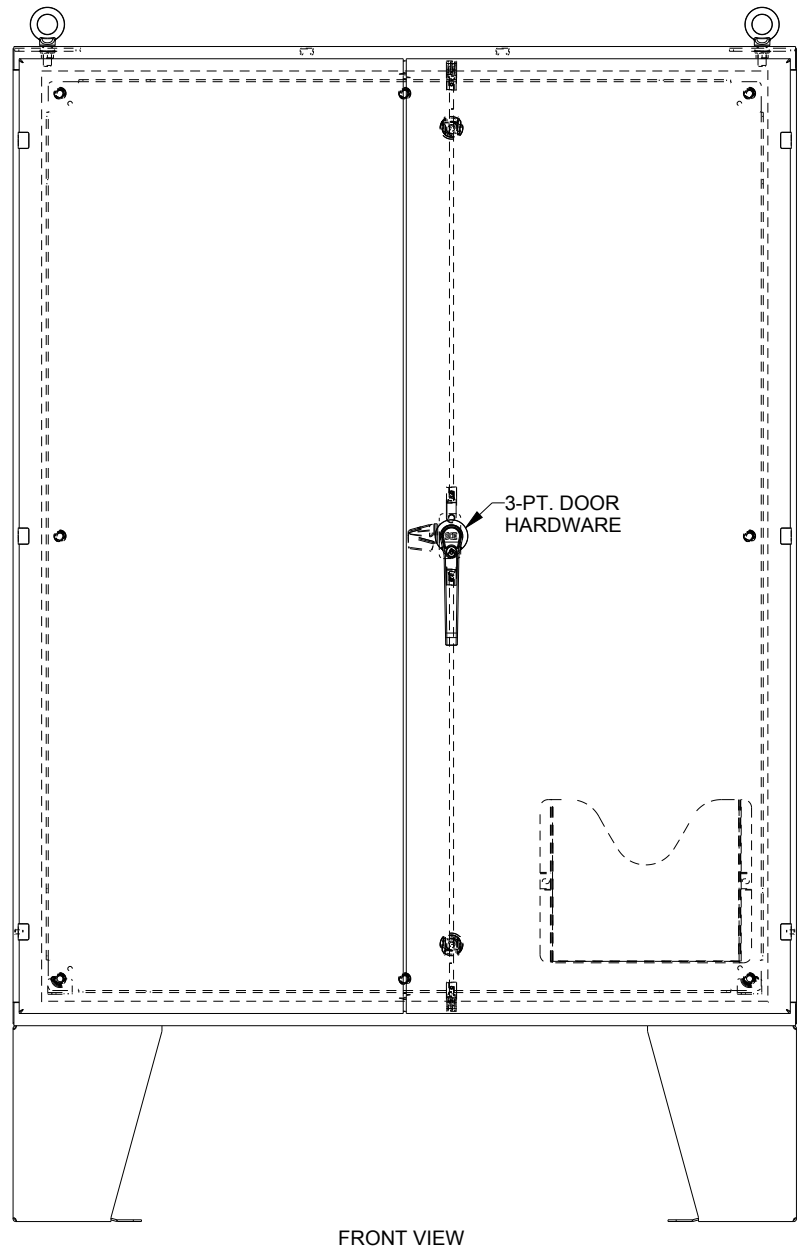
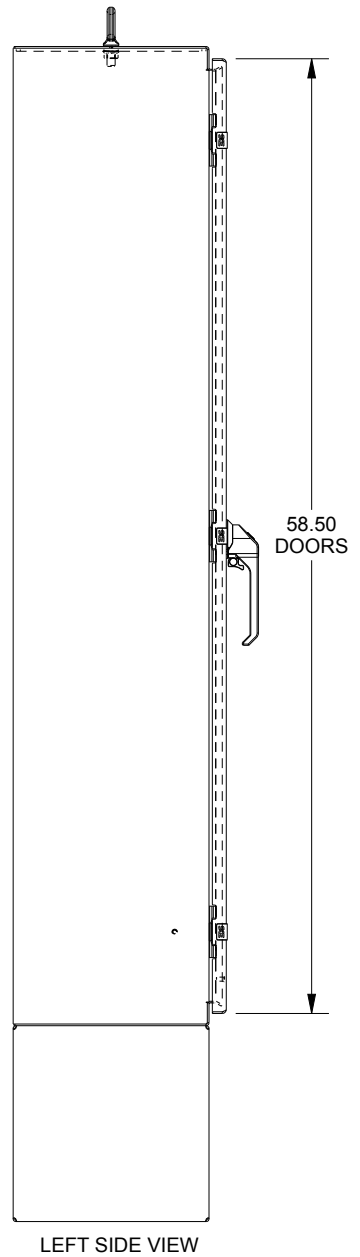
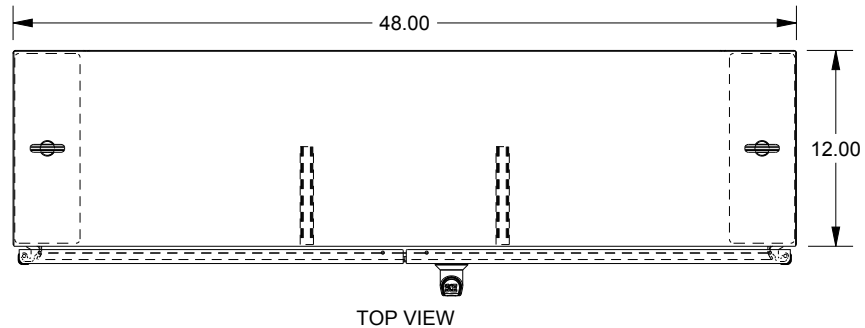


SAGINAW CONTROL & ENGINEERING SCE-604812LP



WASH SYSTEM 2" SQUARE DRAIN HOLES IN THE BOTTOM WITH UL APPROVED HOLE SEALS PROVIDED