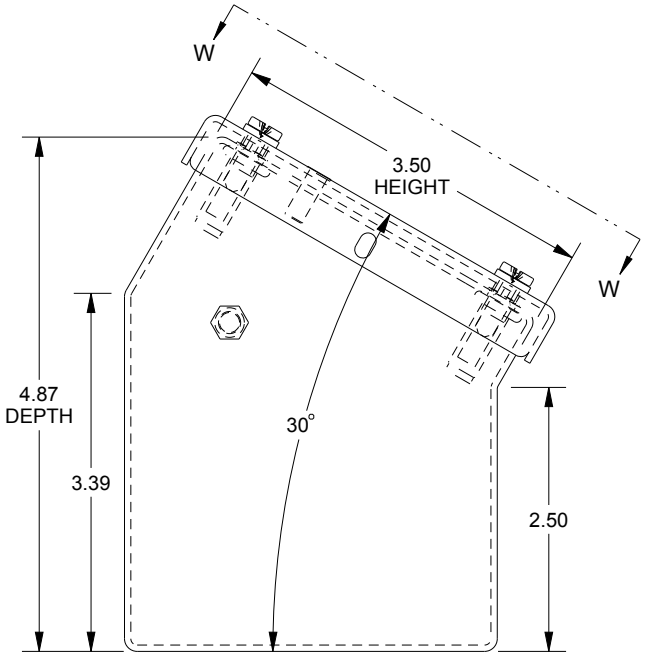


# SAGINAW CONTROL & ENGINEERING

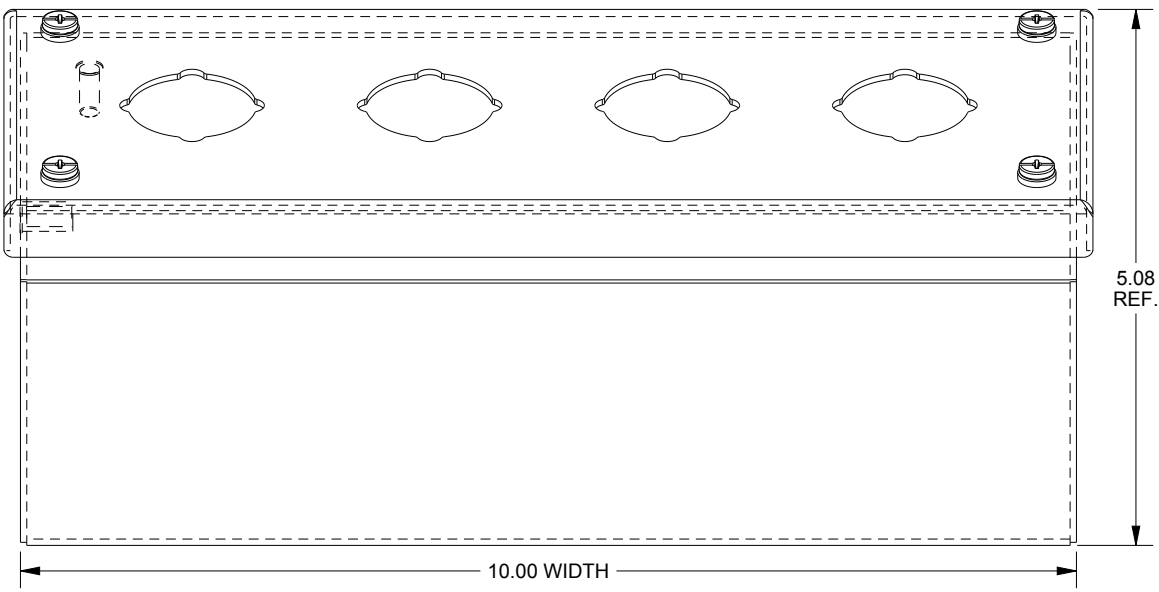
## SCE-4PBA



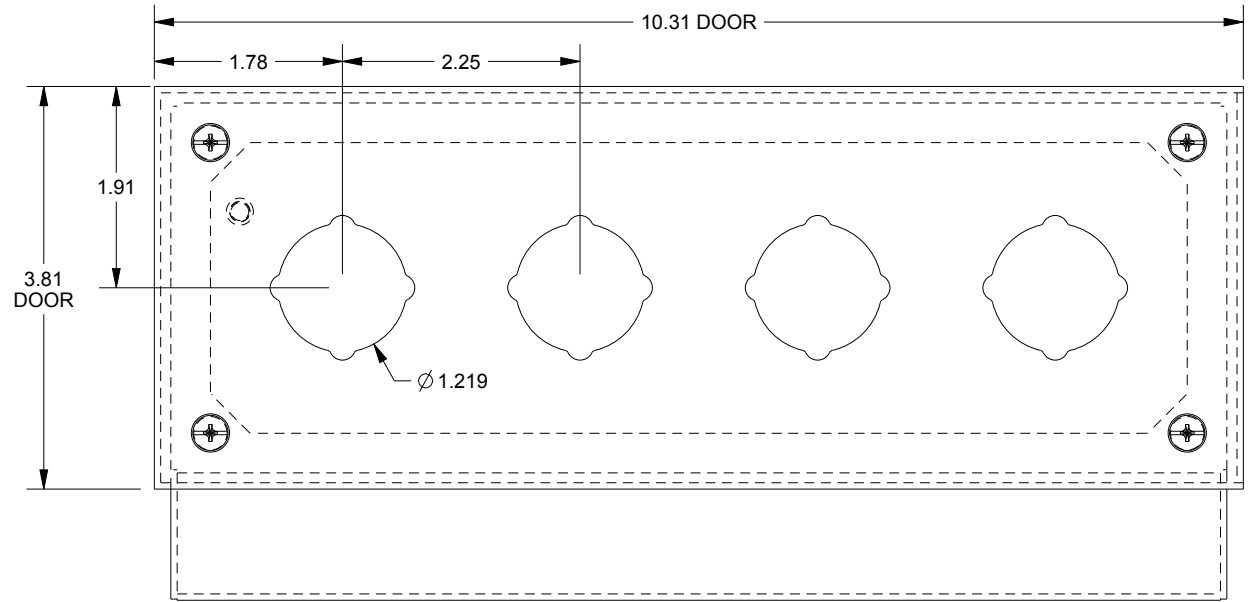
REAR VIEW



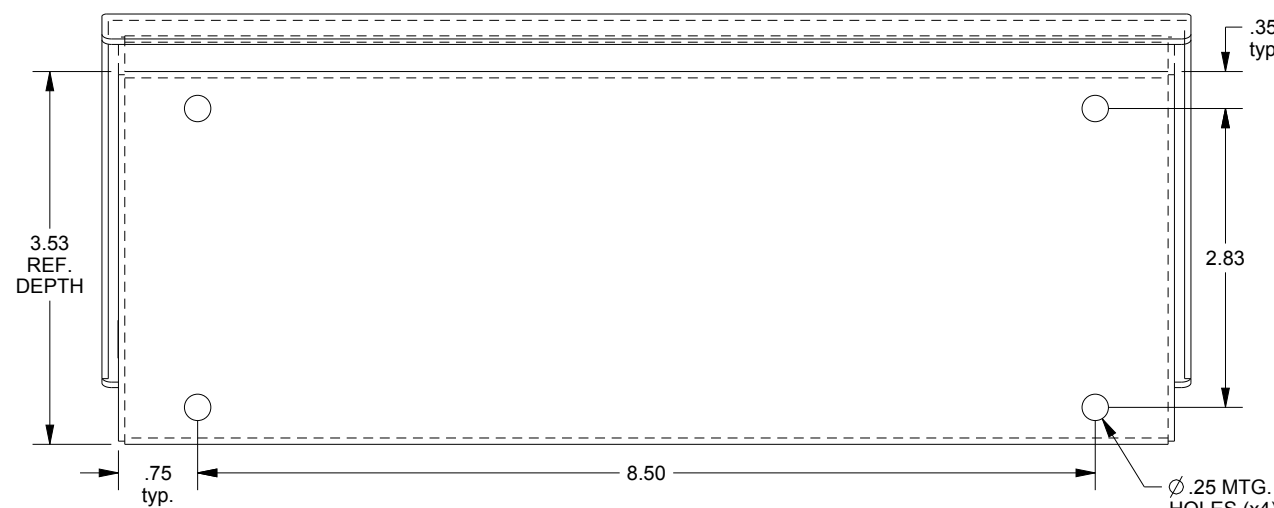
LEFT SIDE VIEW



FRONT VIEW



SECTION W-W



BOTTOM VIEW