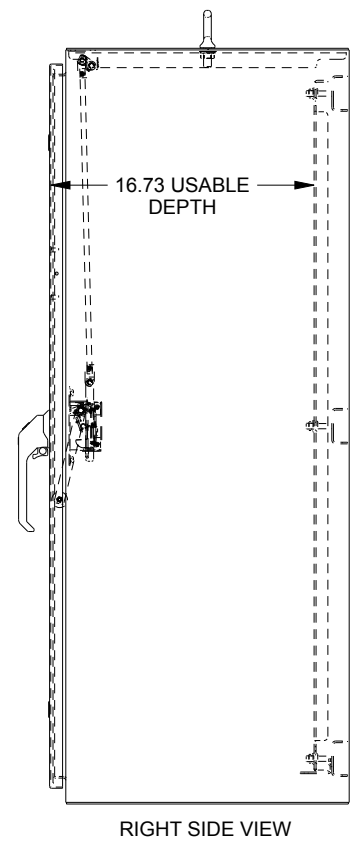
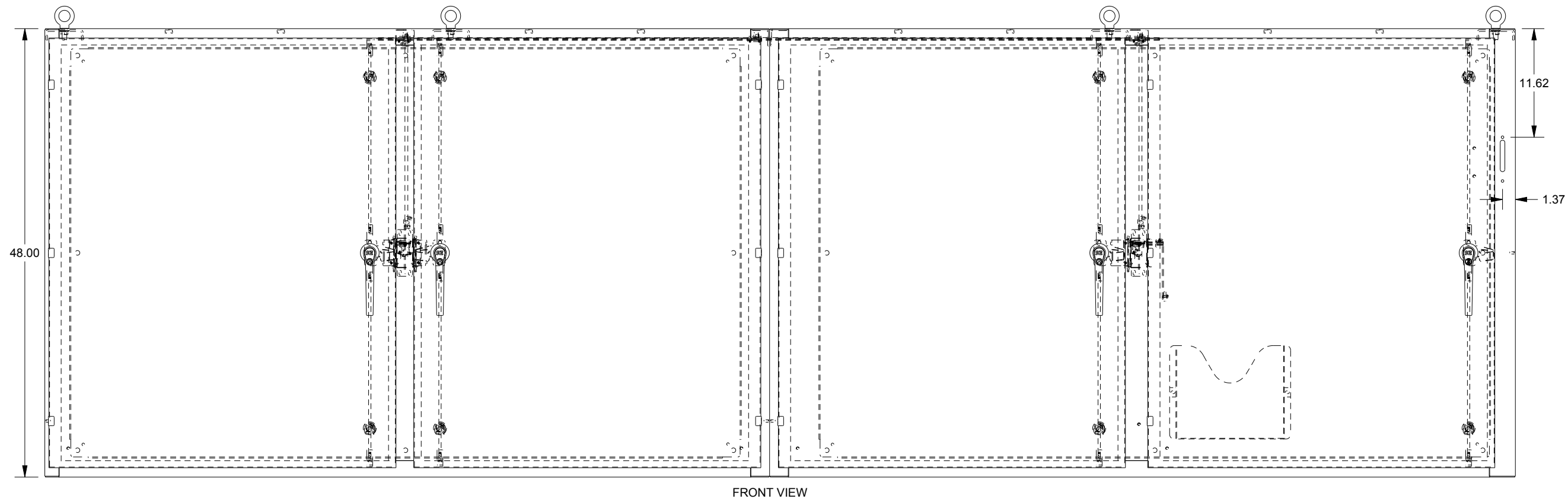
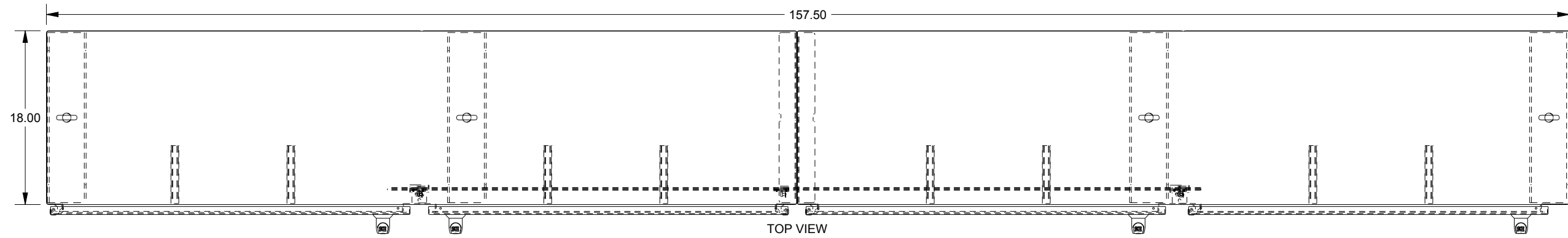


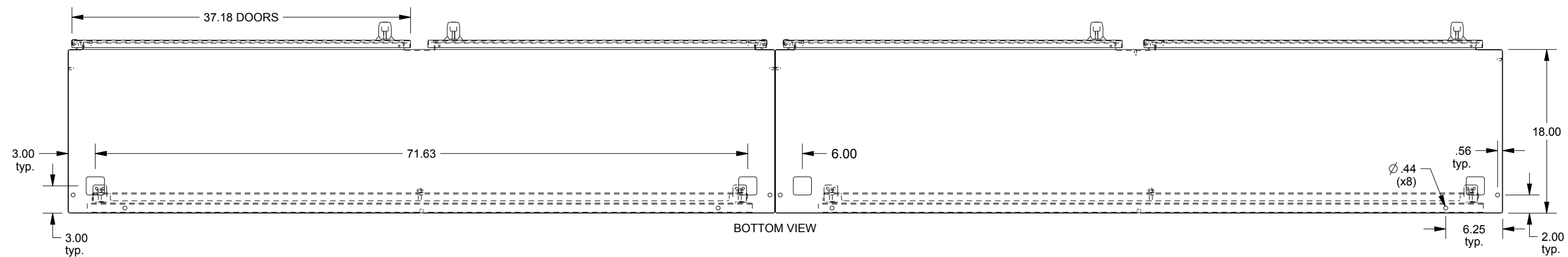
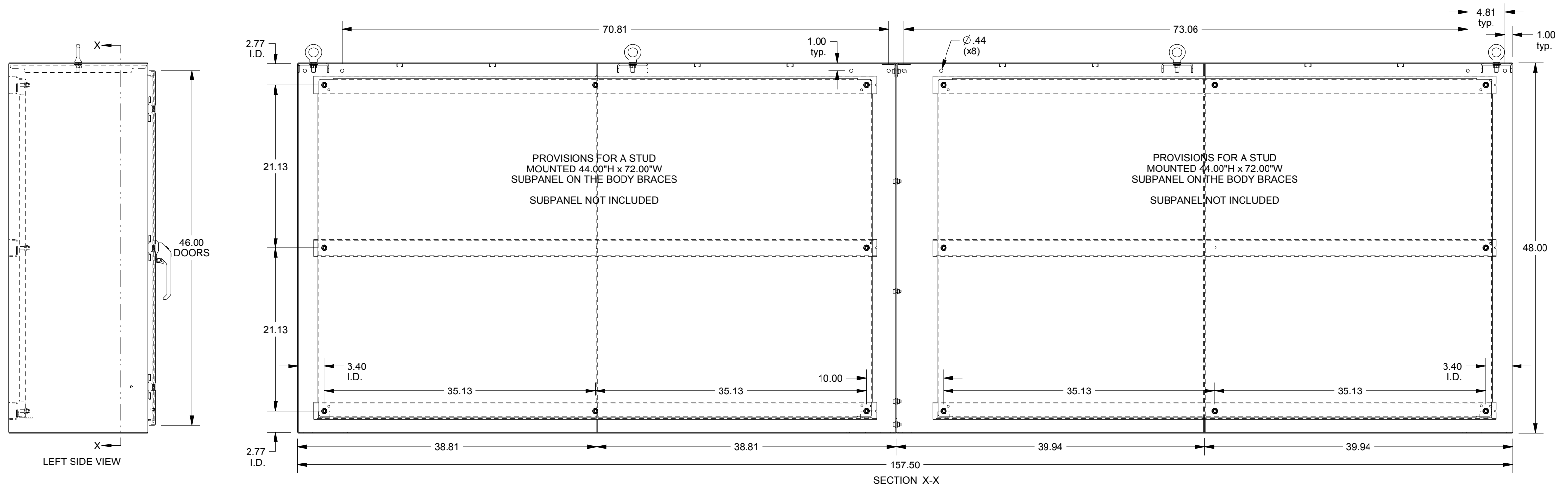
SAGINAW CONTROL & ENGINEERING

SCE-48X4D15818 Sheet 1 of 2



SAGINAW CONTROL & ENGINEERING

SCE-48X4D15818 Sheet 2 of 2



WASH SYSTEM 2" SQUARE DRAIN HOLES IN THE BOTTOM WITH UL APPROVED HOLE SEALS PROVIDED

CUTOUT PROVISIONS IN THE BOTTOM AND IN THE REAR WALL FOR SECURING OPTIONAL HEAVY DUTY WALL MOUNTING BRACKET KIT SCE-HDWMK