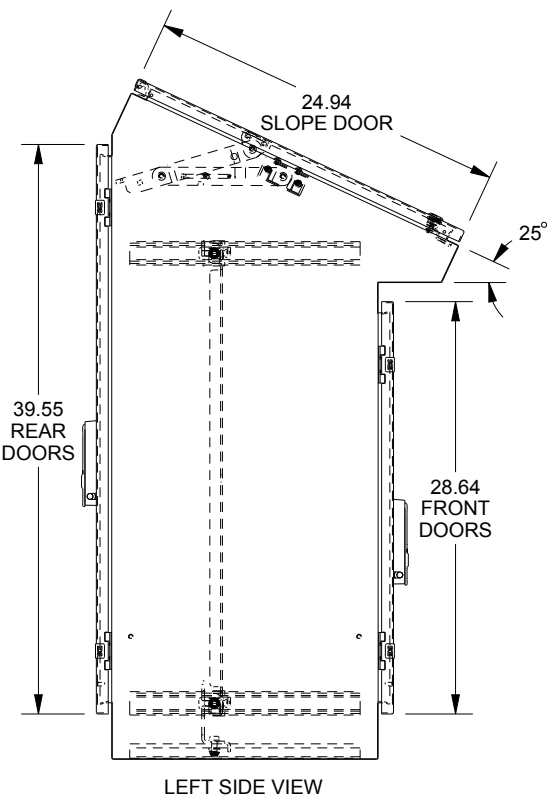
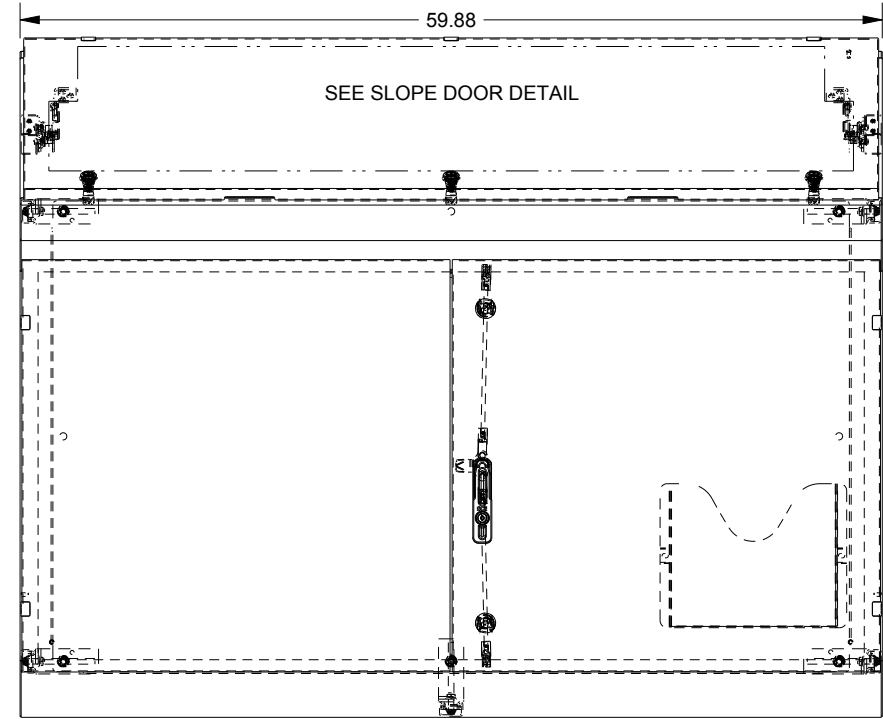


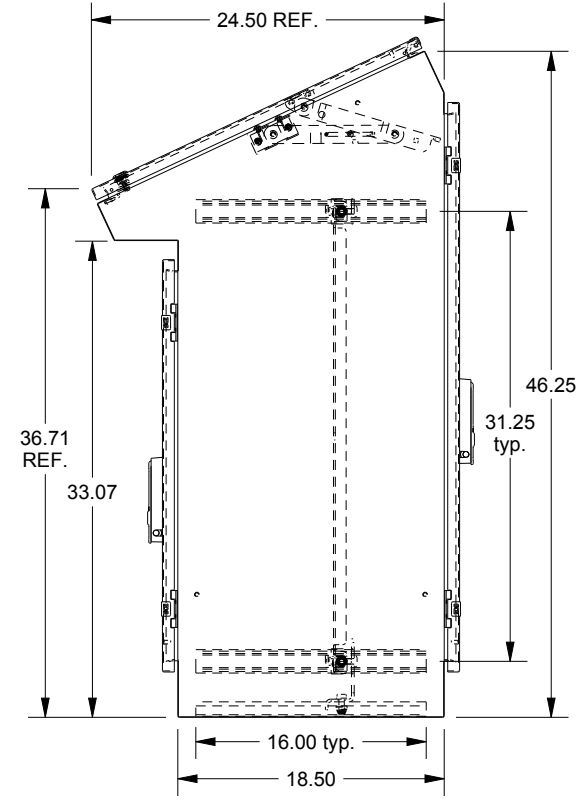
SAGINAW CONTROL & ENGINEERING SCE-466019DC



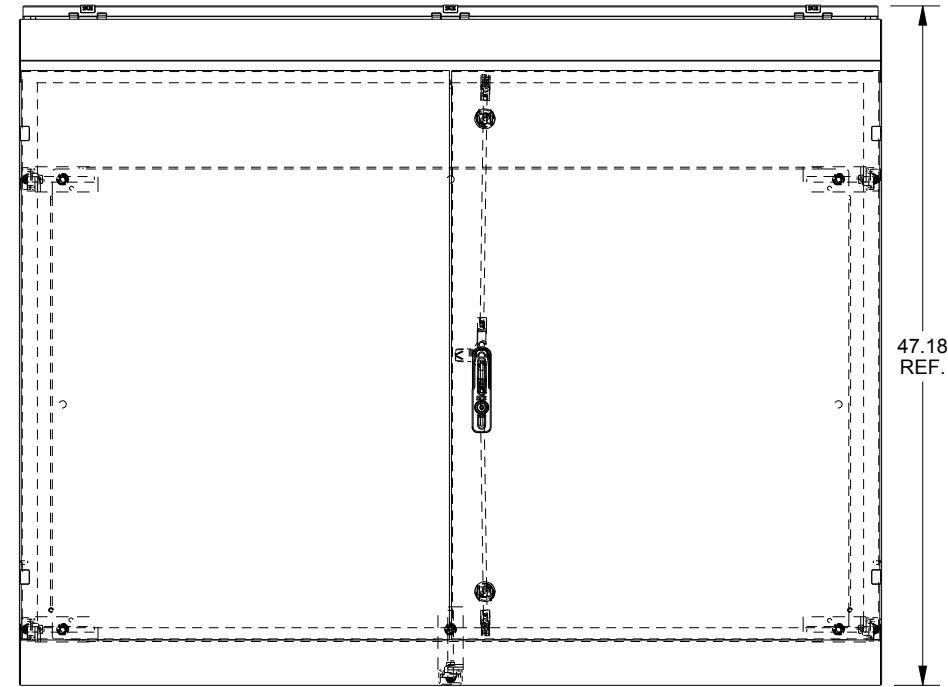
LEFT SIDE VIEW



FRONT VIEW

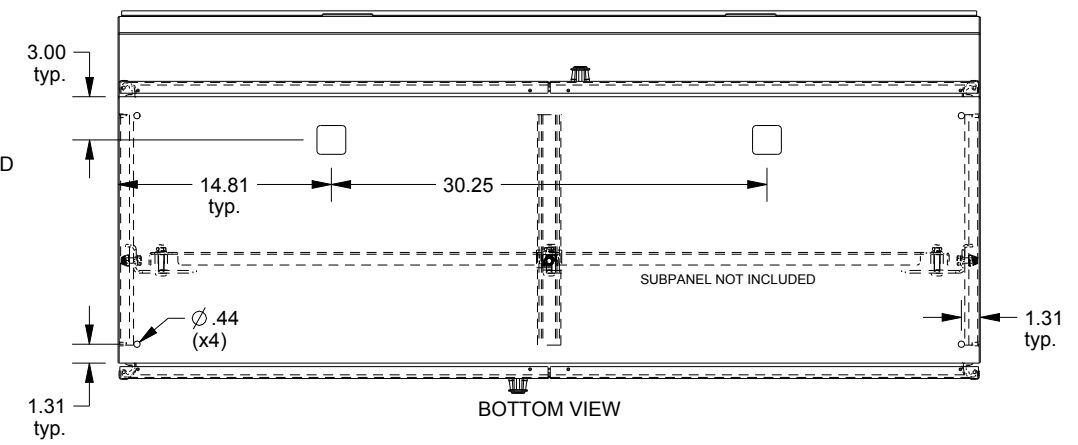


RIGHT SIDE VIEW

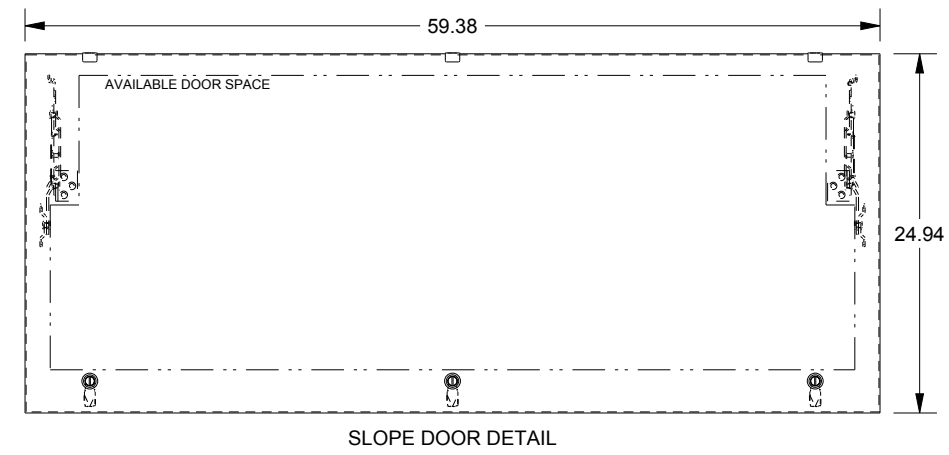


REAR VIEW

WASH SYSTEM 2" SQUARE DRAIN HOLES IN THE BOTTOM WITH UL APPROVED HOLE SEALS PROVIDED



BOTTOM VIEW



SLOPE DOOR DETAIL