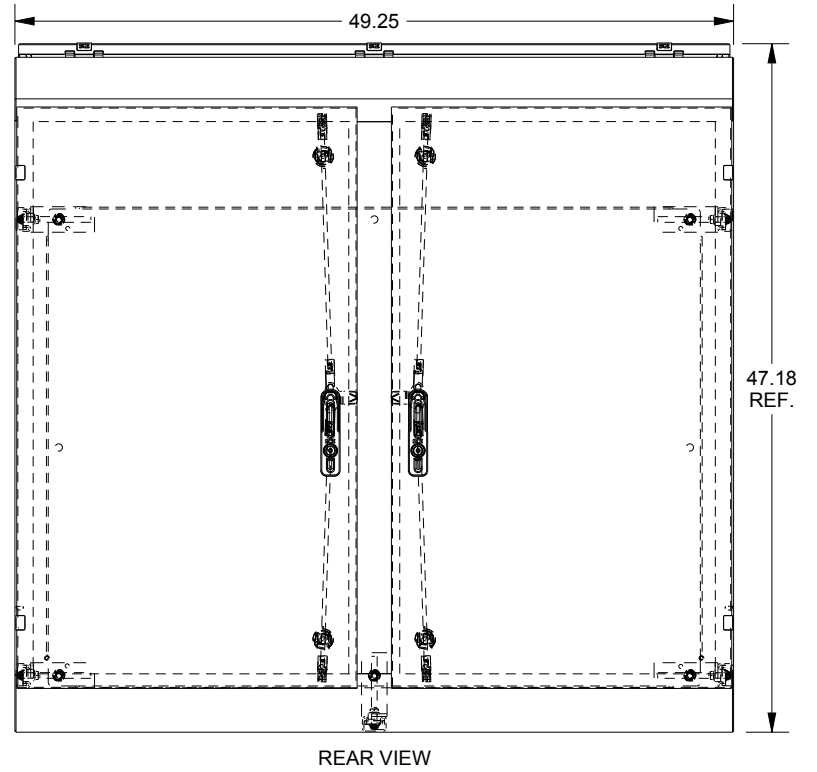
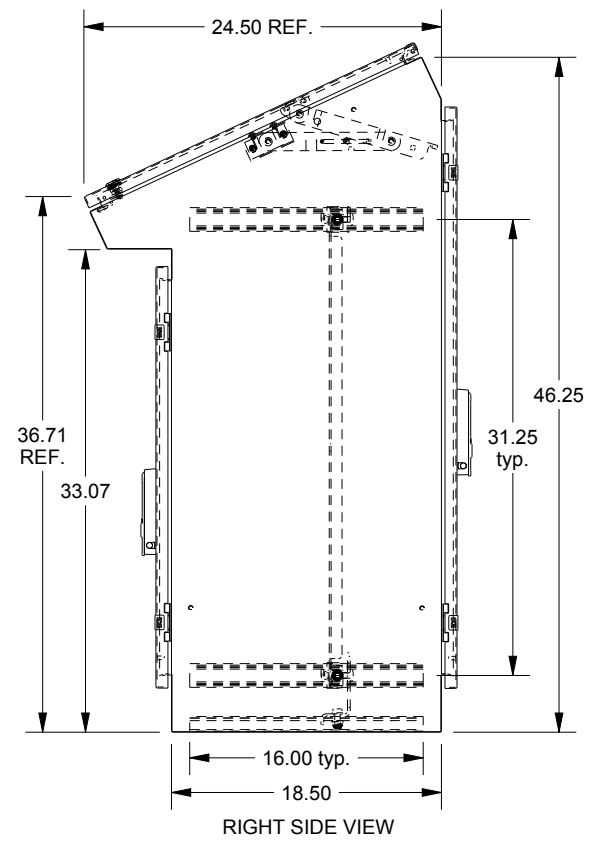
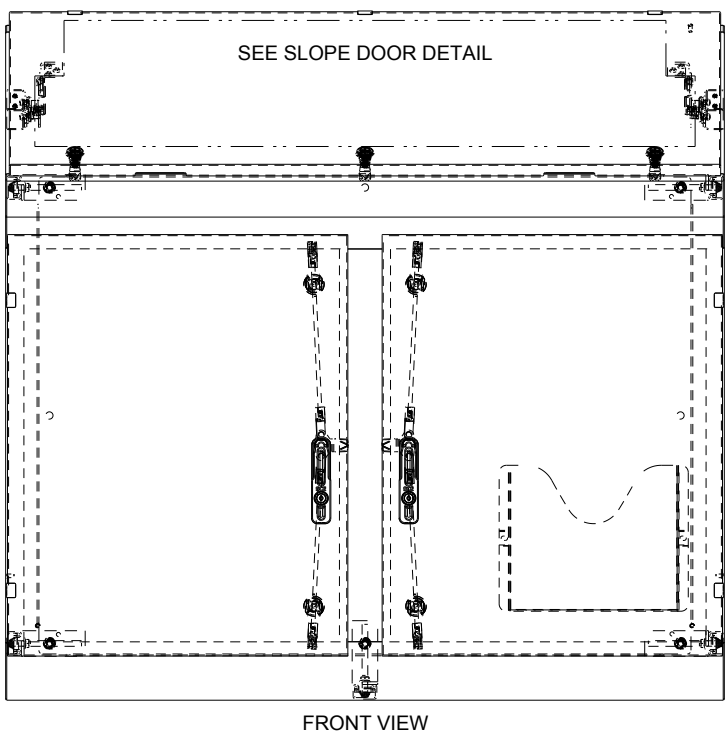
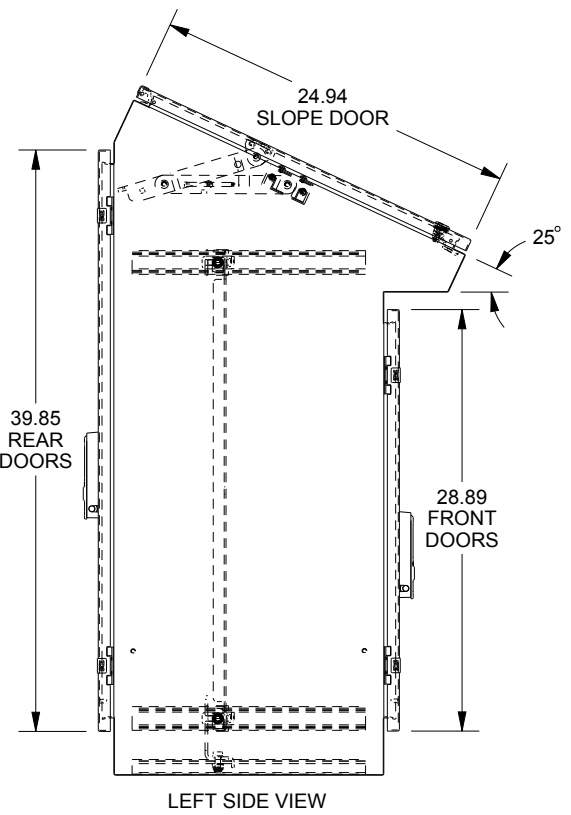
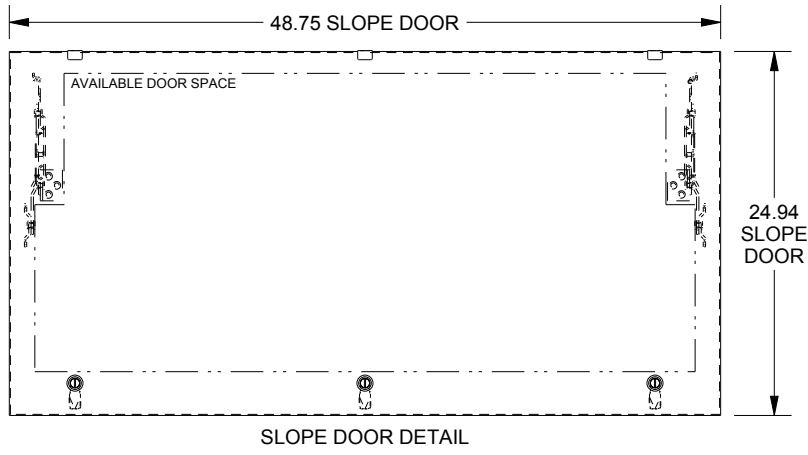


SAGINAW CONTROL & ENGINEERING SCE-464919DCC



WASH SYSTEM 2" SQUARE DRAIN HOLES IN THE BOTTOM WITH UL APPROVED HOLE SEALS PROVIDED

