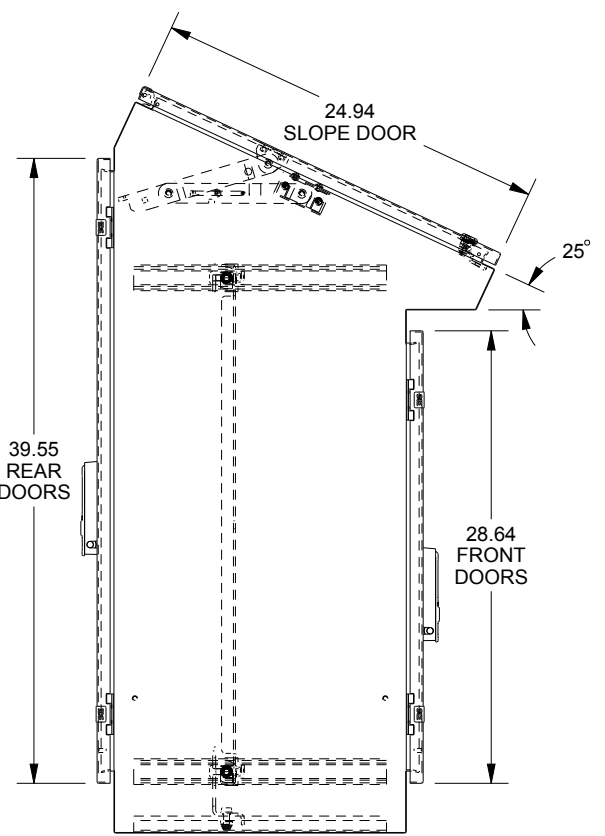
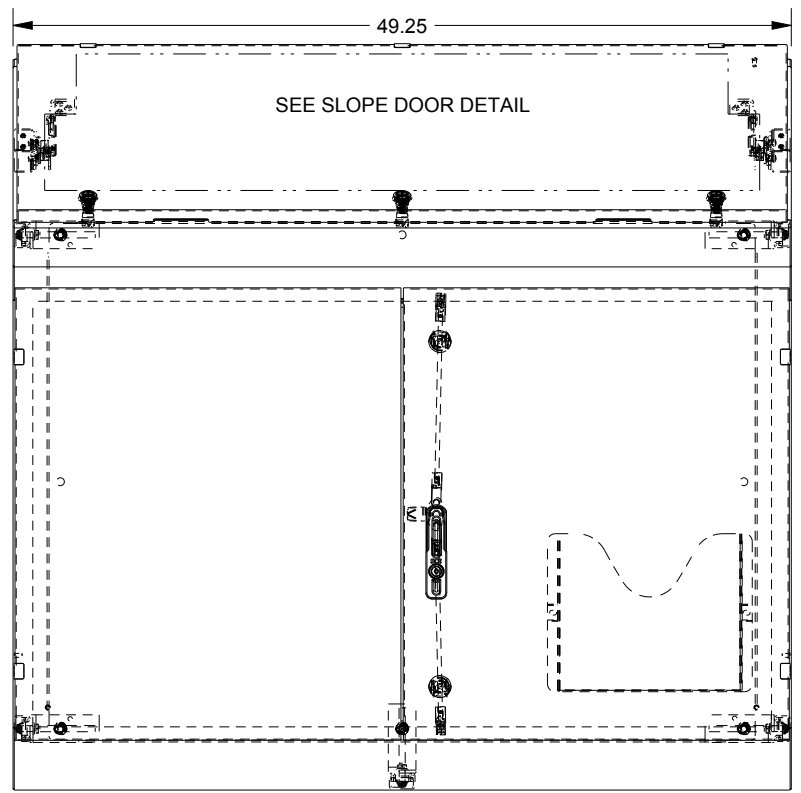


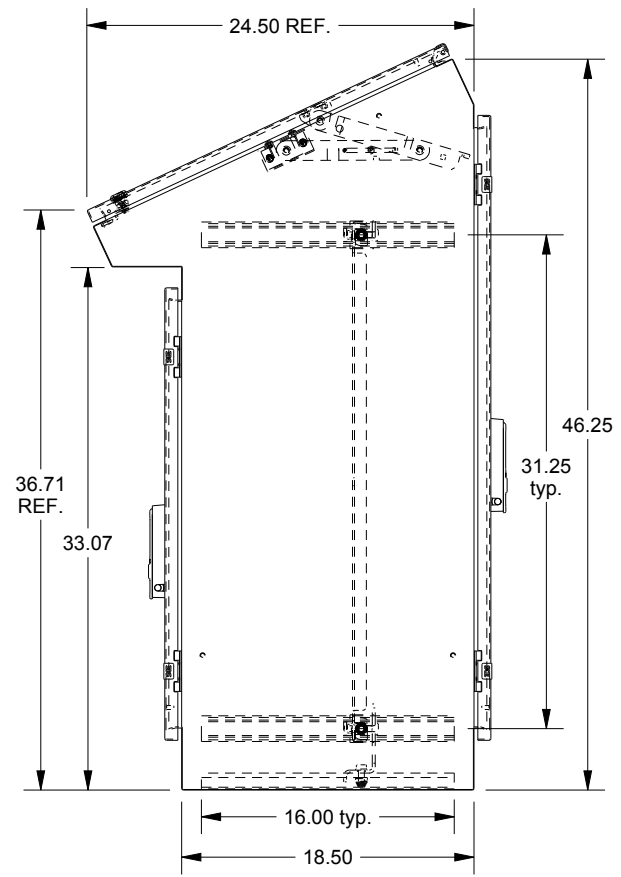
# SAGINAW CONTROL & ENGINEERING SCE-464919DC



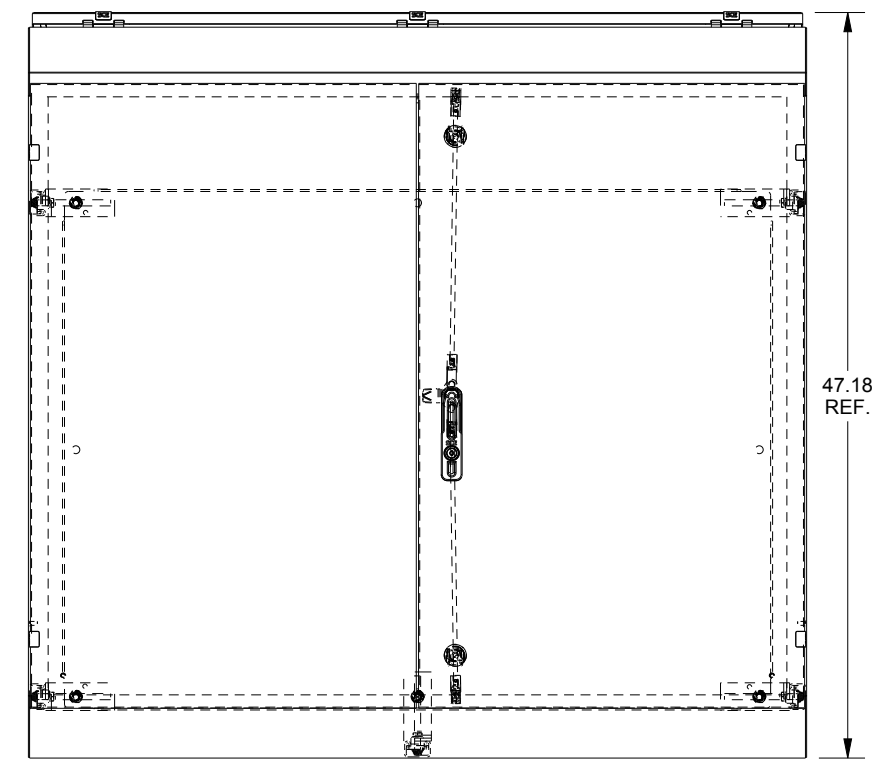
LEFT SIDE VIEW



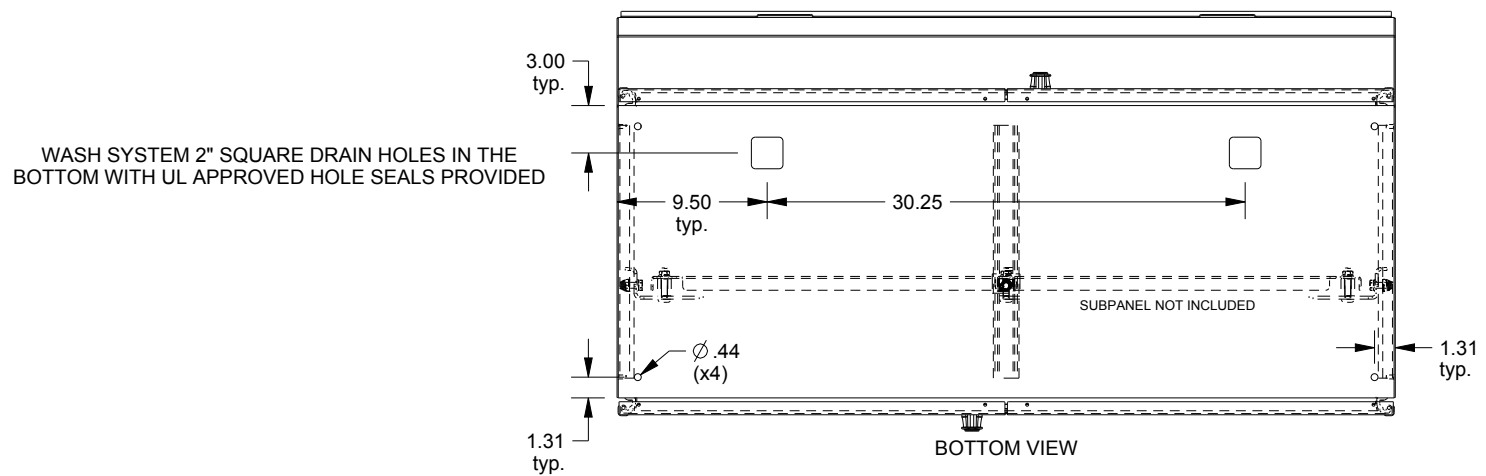
FRONT VIEW



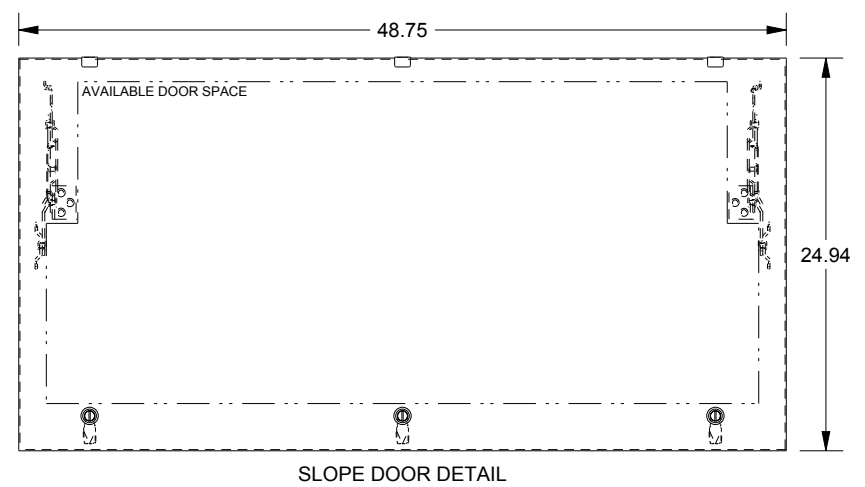
RIGHT SIDE VIEW



REAR VIEW



BOTTOM VIEW



SLOPE DOOR DETAIL