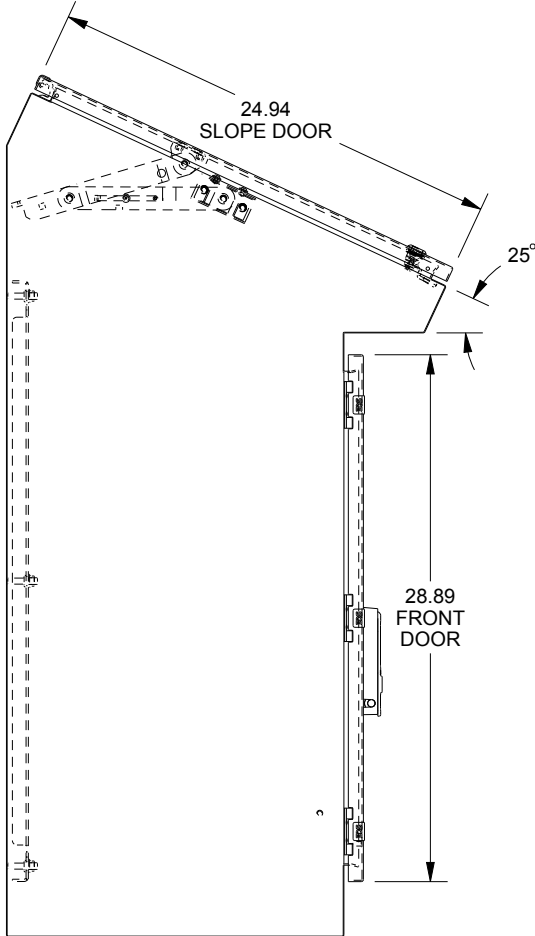
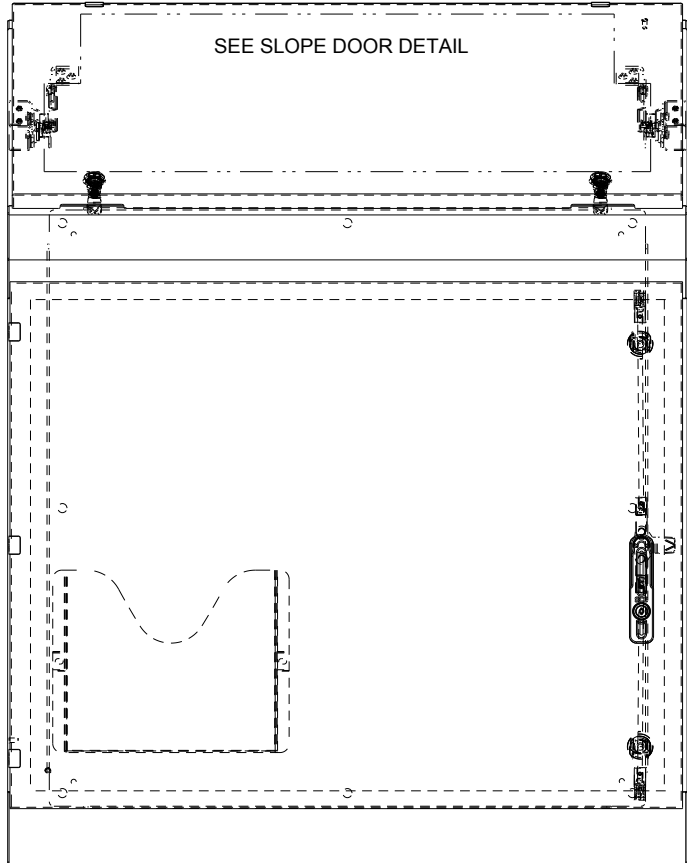


SAGINAW CONTROL & ENGINEERING

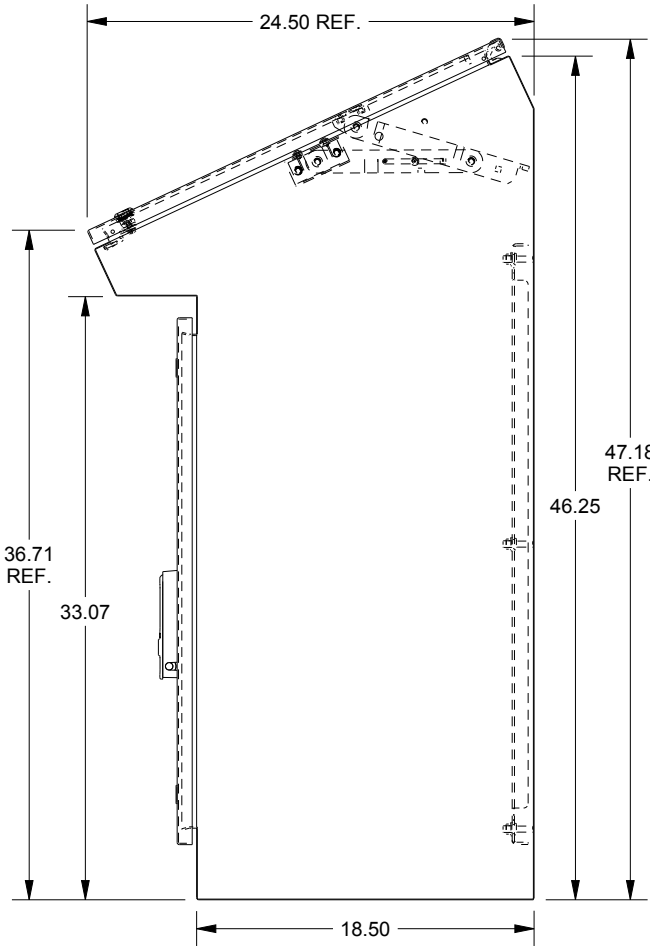
SCE-463719SDC



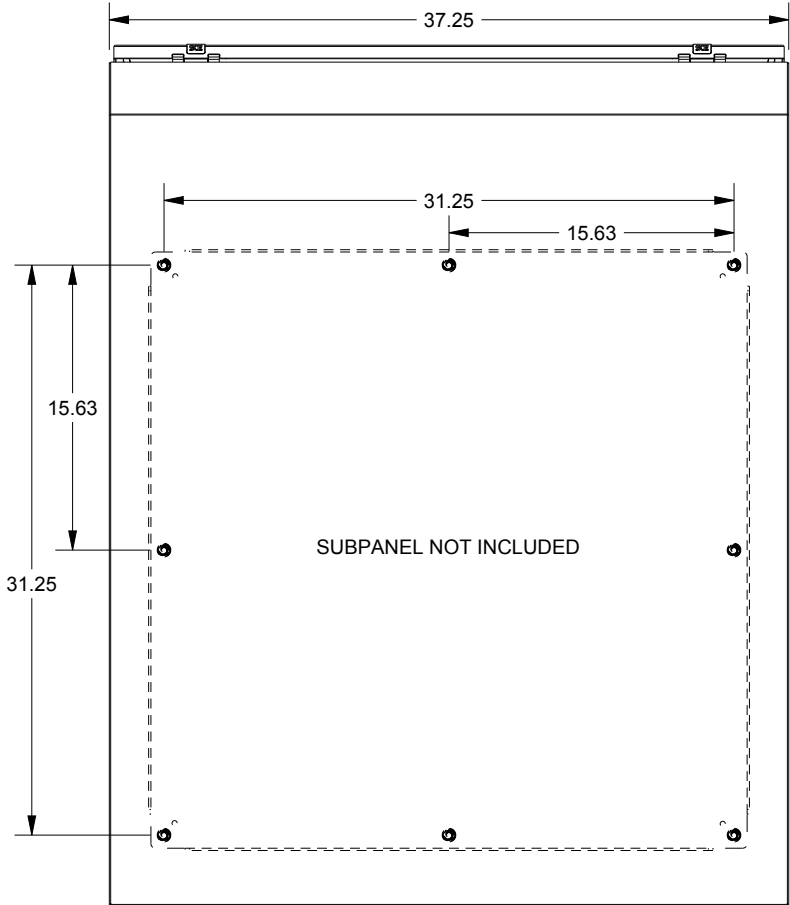
LEFT SIDE VIEW



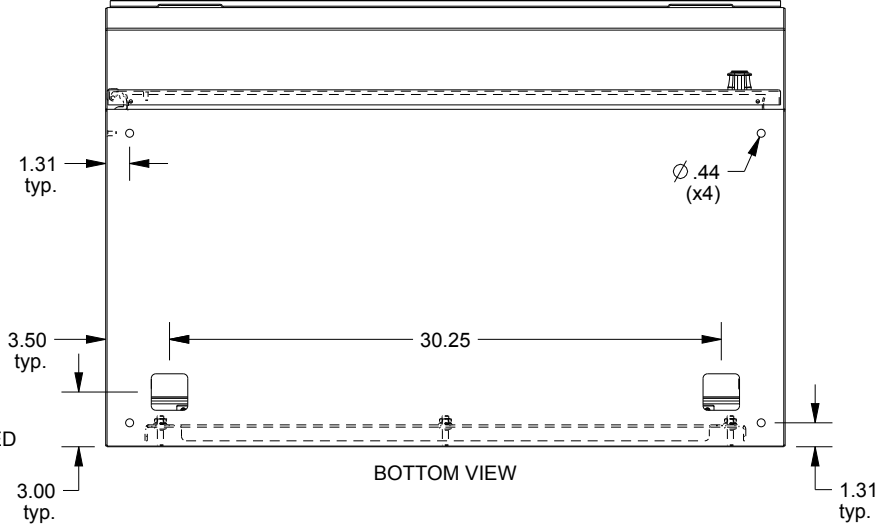
FRONT VIEW



RIGHT SIDE VIEW

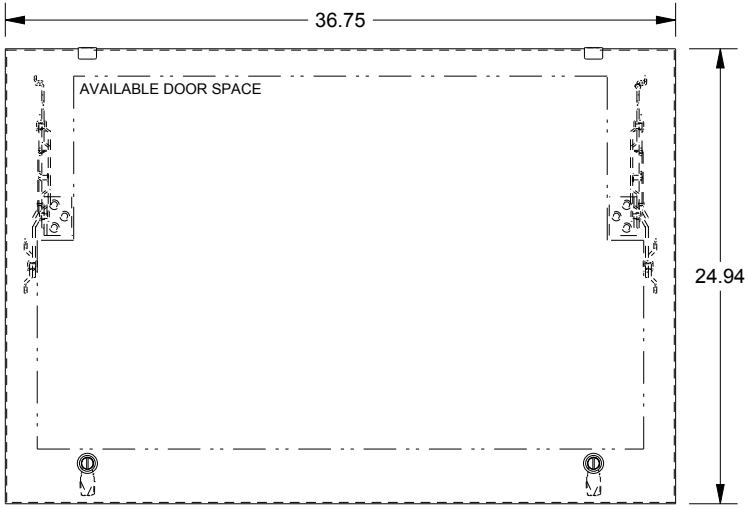


EXTERNAL REAR VIEW



BOTTOM VIEW

WASH SYSTEM 2" SQUARE DRAIN HOLES IN THE BOTTOM WITH UL APPROVED HOLE SEALS PROVIDED



SLOPE DOOR DETAIL