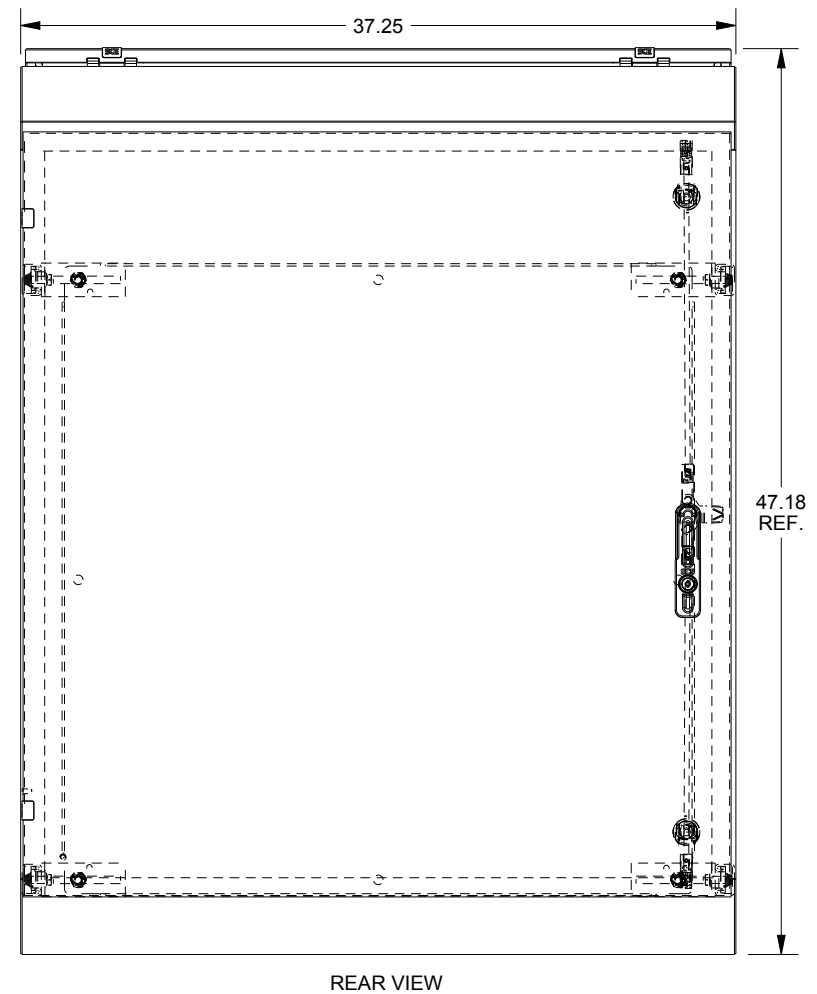
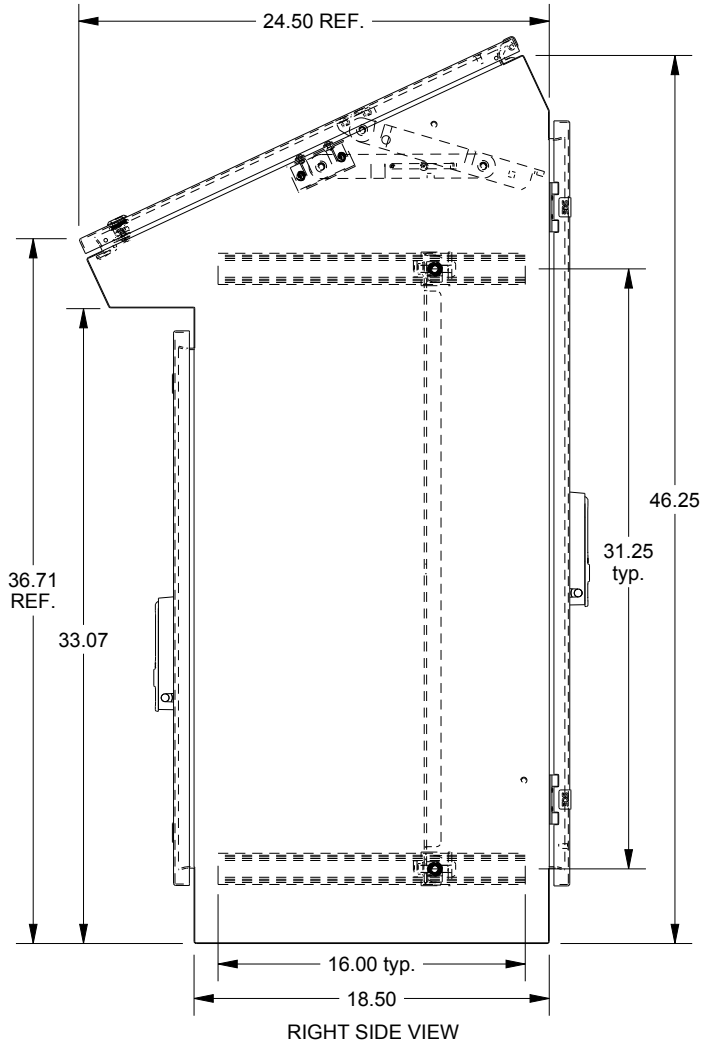
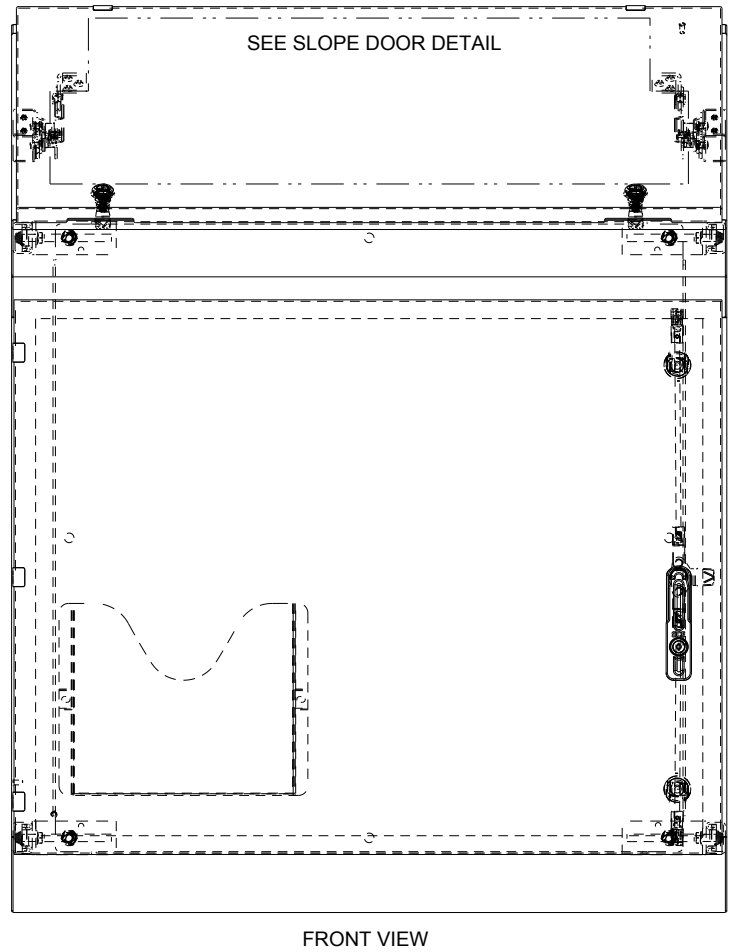
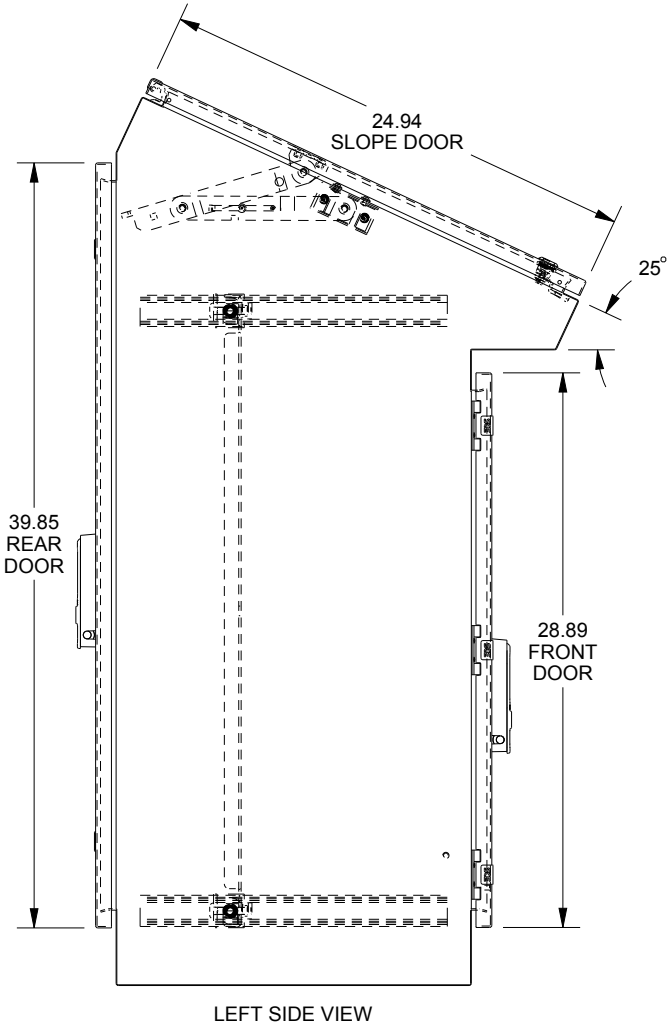


SAGINAW CONTROL & ENGINEERING SCE-463719DC



WASH SYSTEM 2" SQUARE DRAIN HOLES IN THE BOTTOM WITH UL APPROVED HOLE SEALS PROVIDED

