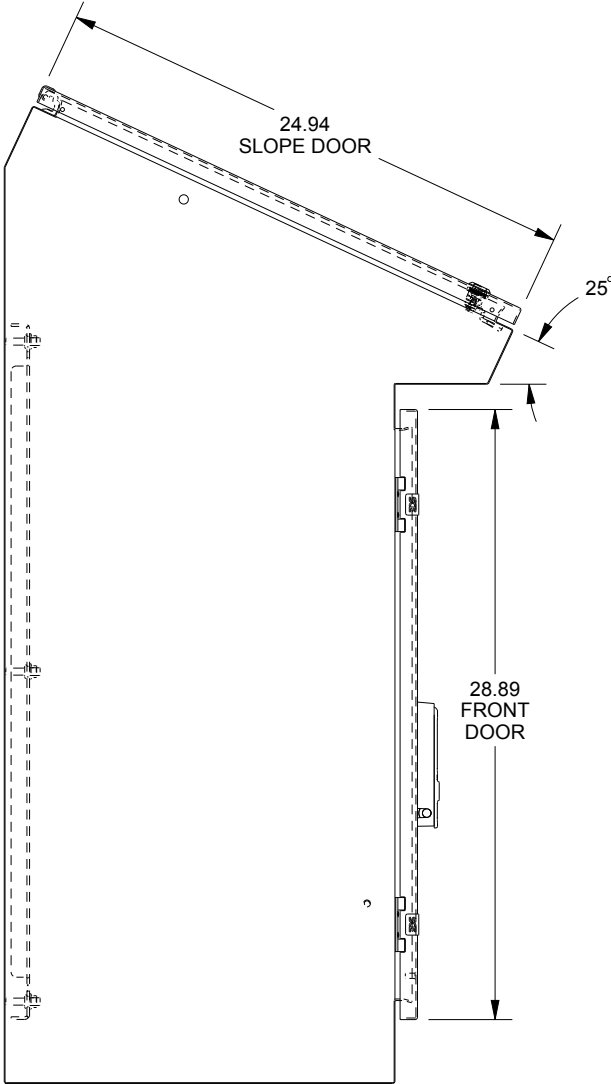
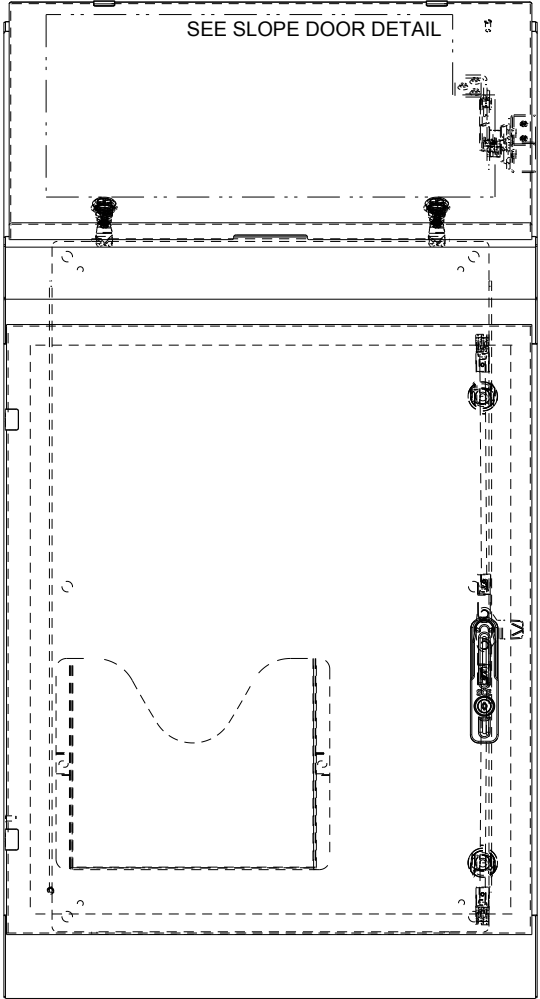


SAGINAW CONTROL & ENGINEERING

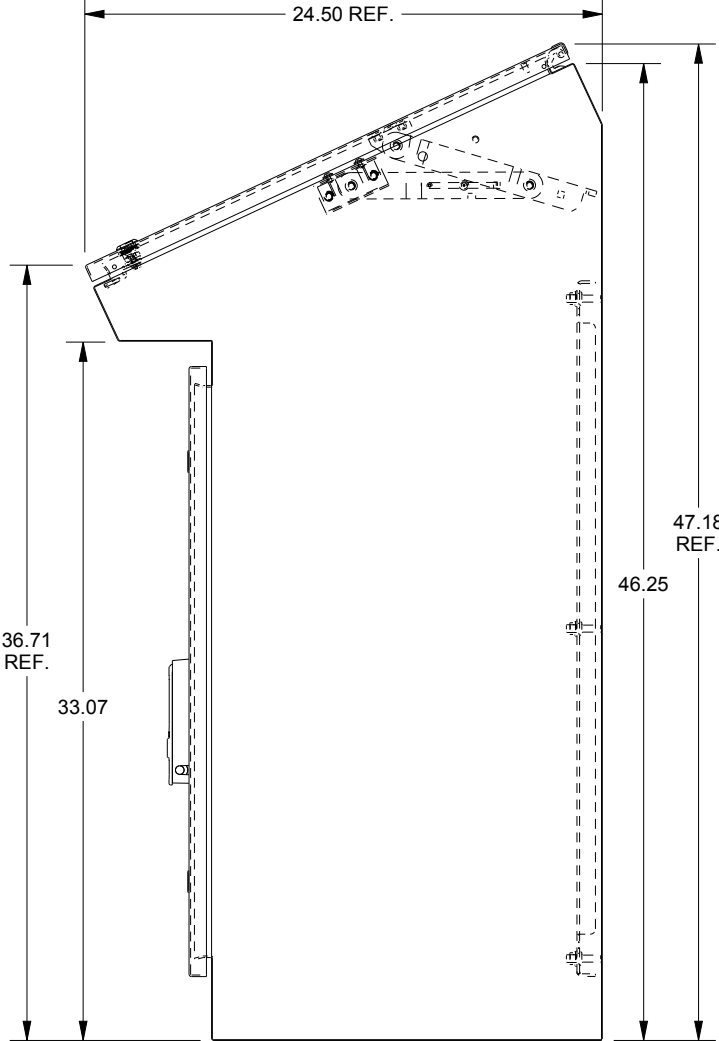
SCE-462519SDC



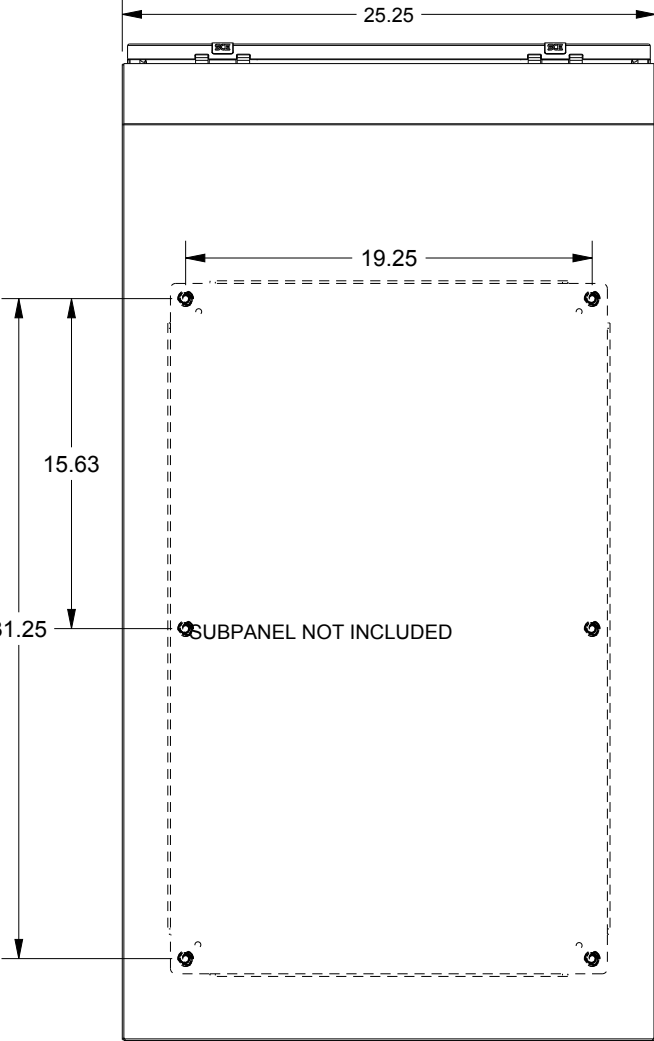
LEFT SIDE VIEW



FRONT VIEW

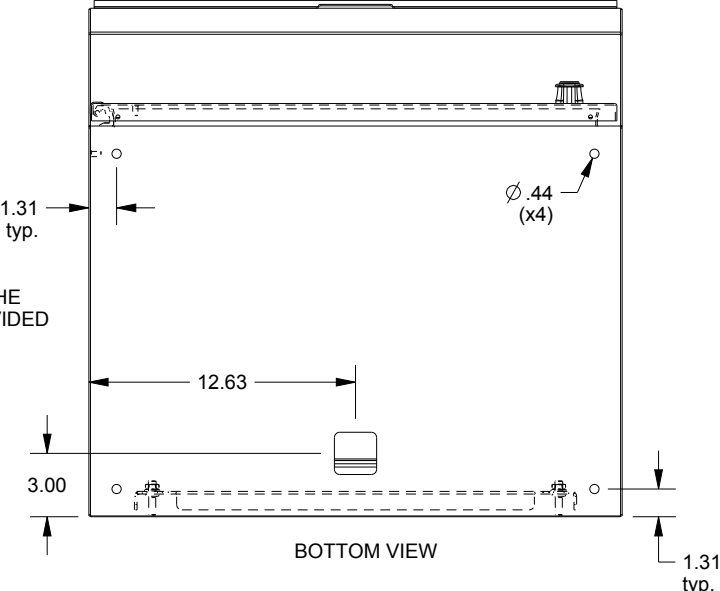


RIGHT SIDE VIEW

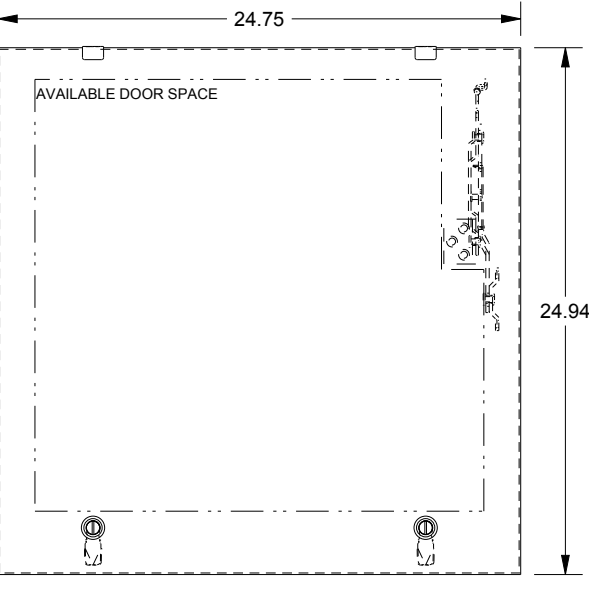


EXTERNAL REAR VIEW

WASH SYSTEM 2" SQUARE DRAIN HOLE IN THE BOTTOM WITH UL APPROVED HOLE SEAL PROVIDED



BOTTOM VIEW



SLOPE DOOR DETAIL