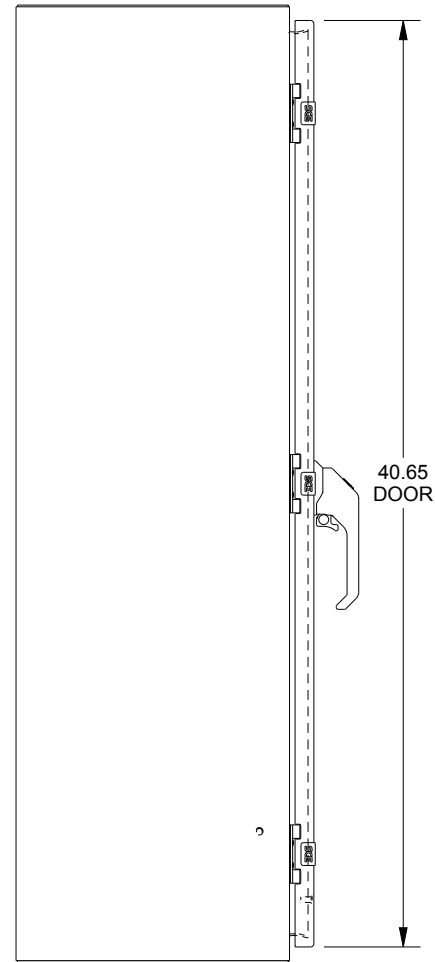
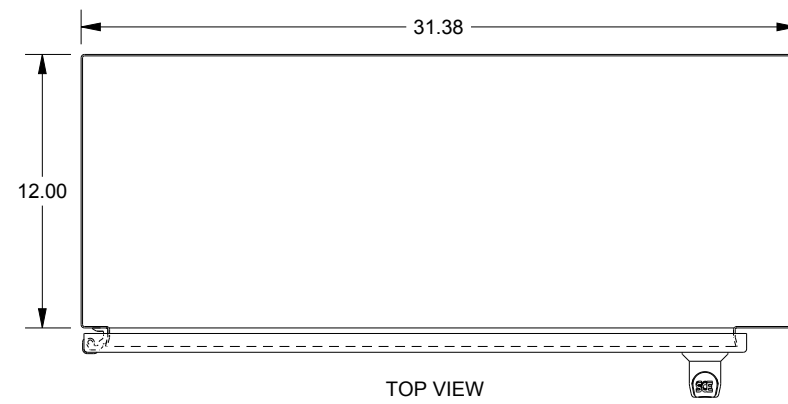
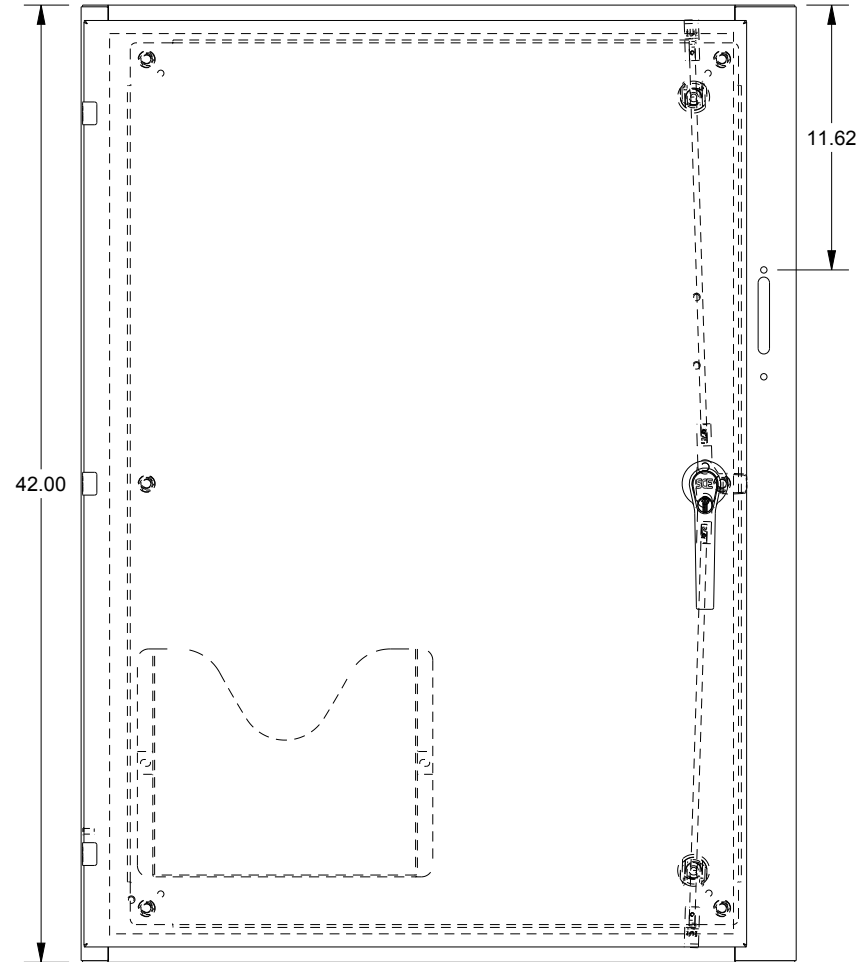


# SAGINAW CONTROL & ENGINEERING

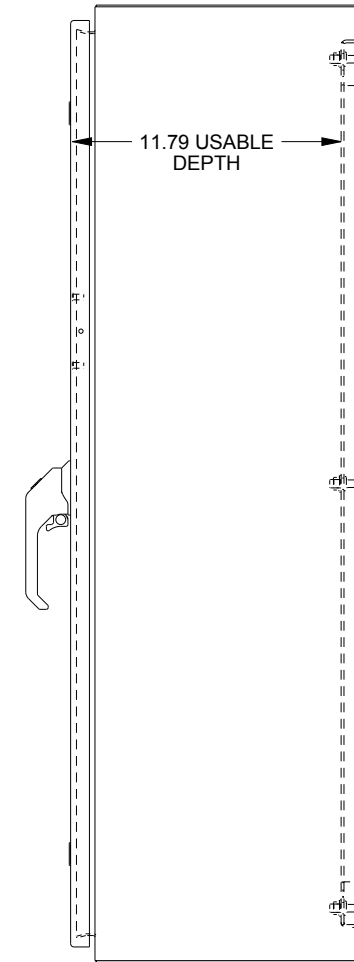
## SCE-42XEL3112SSLP



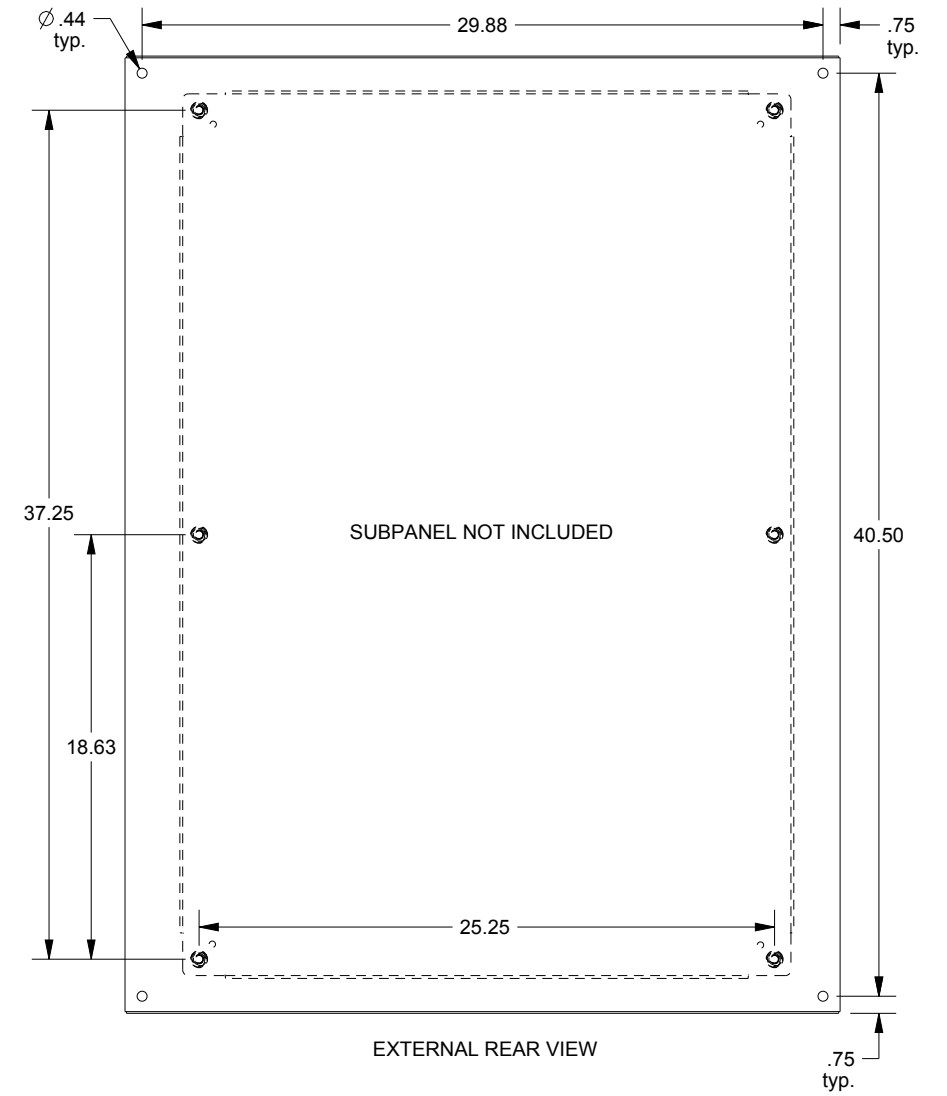
LEFT SIDE VIEW



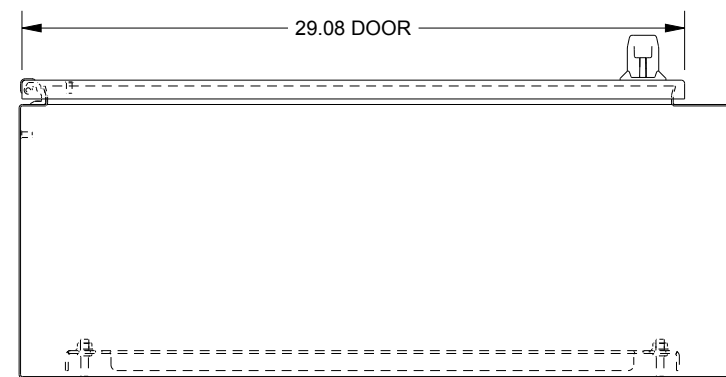
FRONT VIEW



RIGHT SIDE VIEW



EXTERNAL REAR VIEW



BOTTOM VIEW