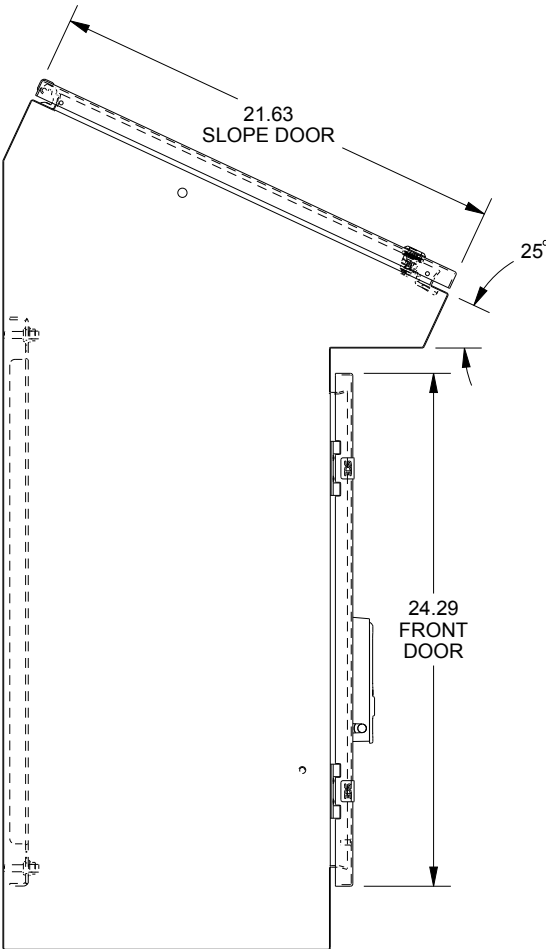
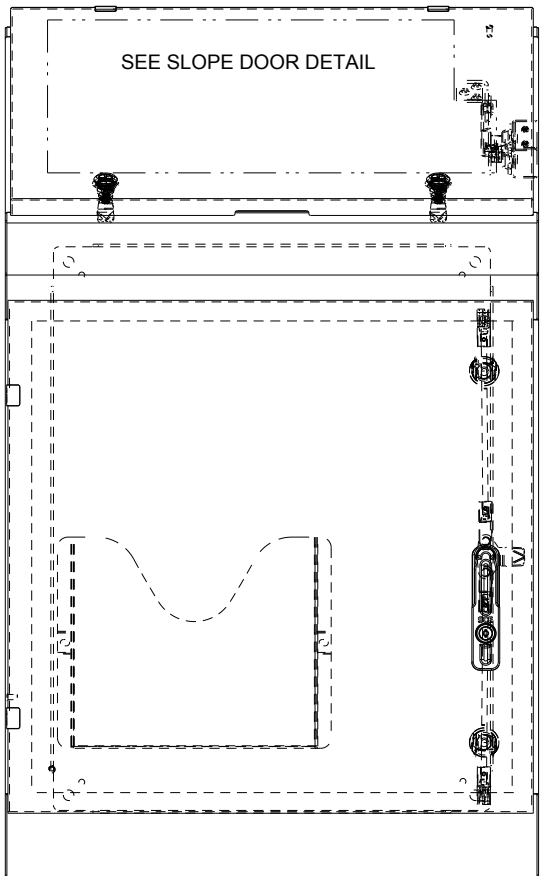


# SAGINAW CONTROL & ENGINEERING

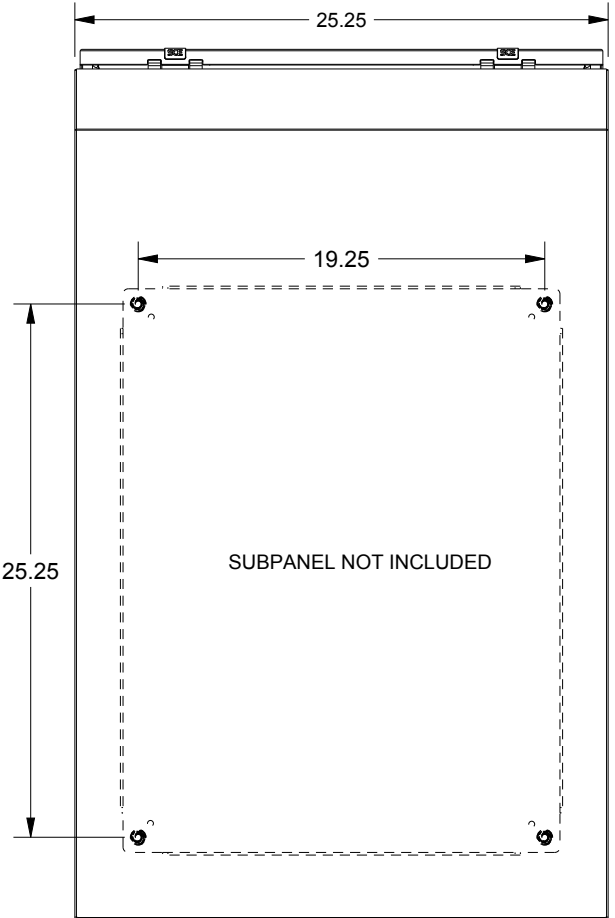
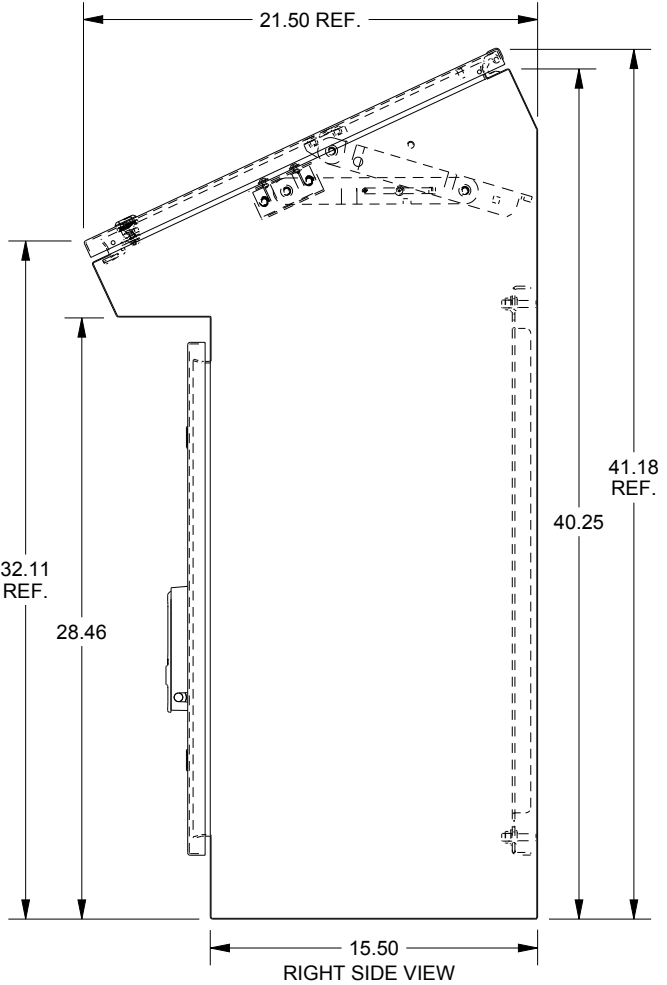
## SCE-402516SDC



LEFT SIDE VIEW



FRONT VIEW



WASH SYSTEM 2" SQUARE DRAIN HOLE IN THE BOTTOM WITH UL APPROVED HOLE SEAL PROVIDED

