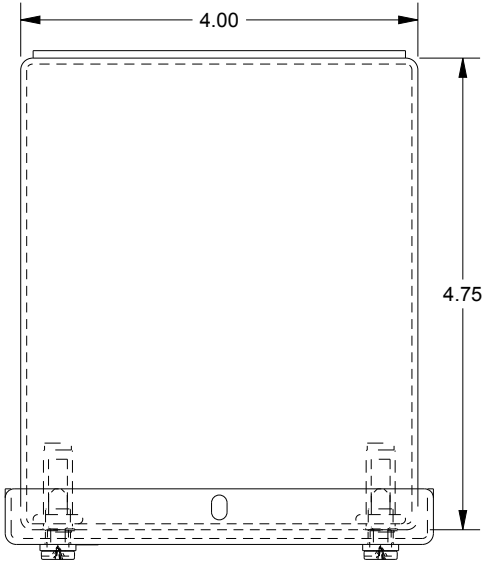
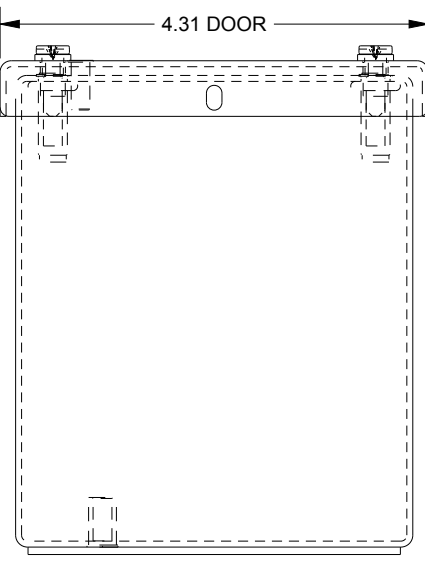


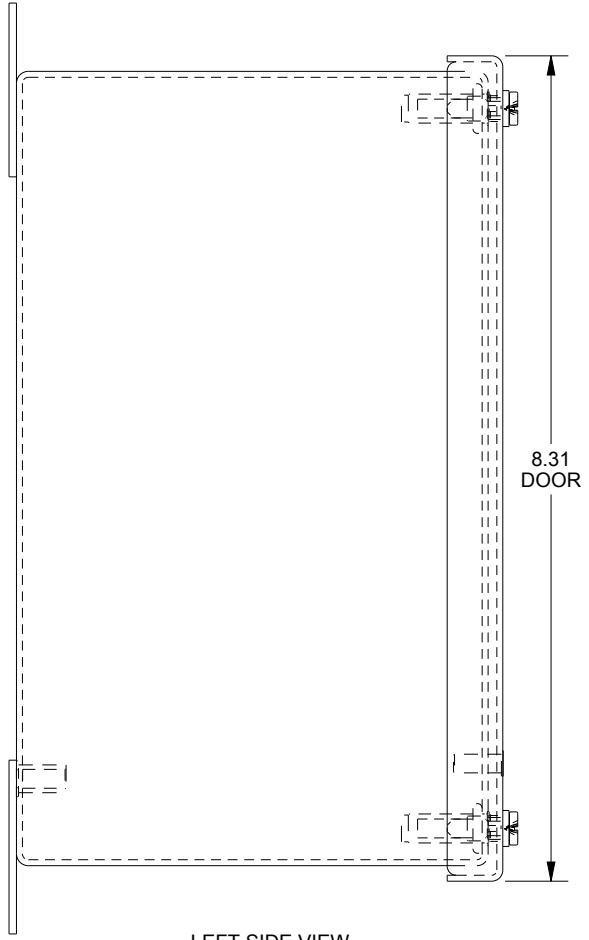
SAGINAW CONTROL & ENGINEERING SCE-3PBXI



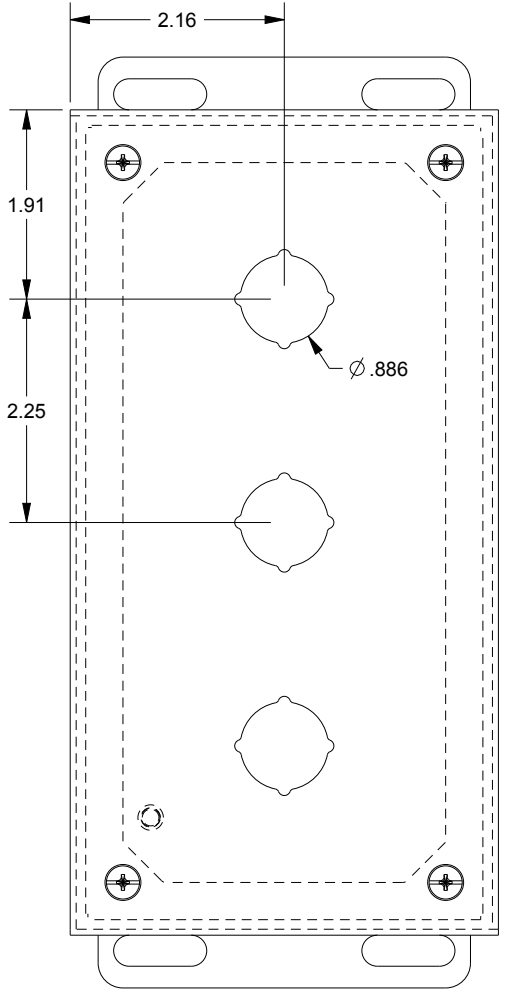
TOP VIEW



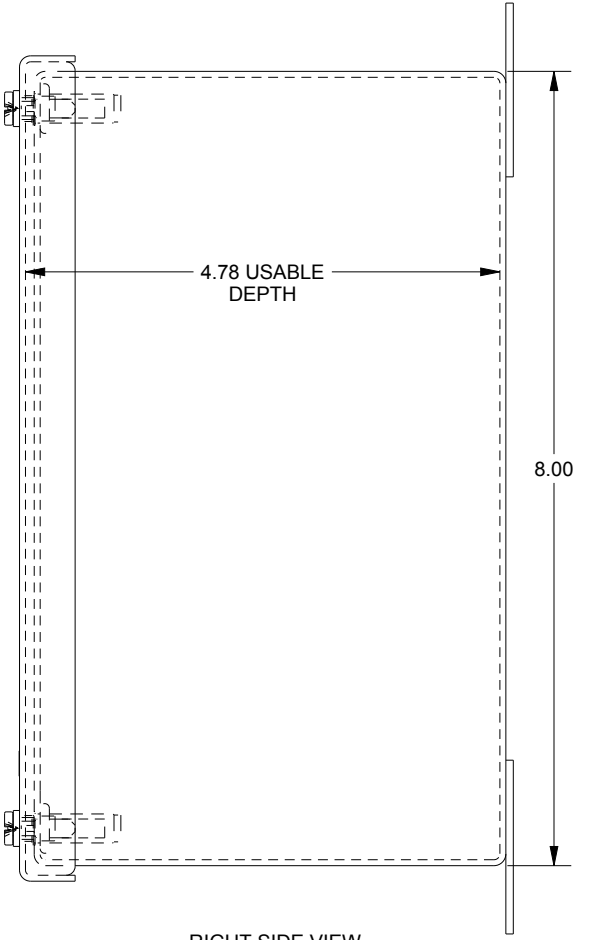
BOTTOM VIEW



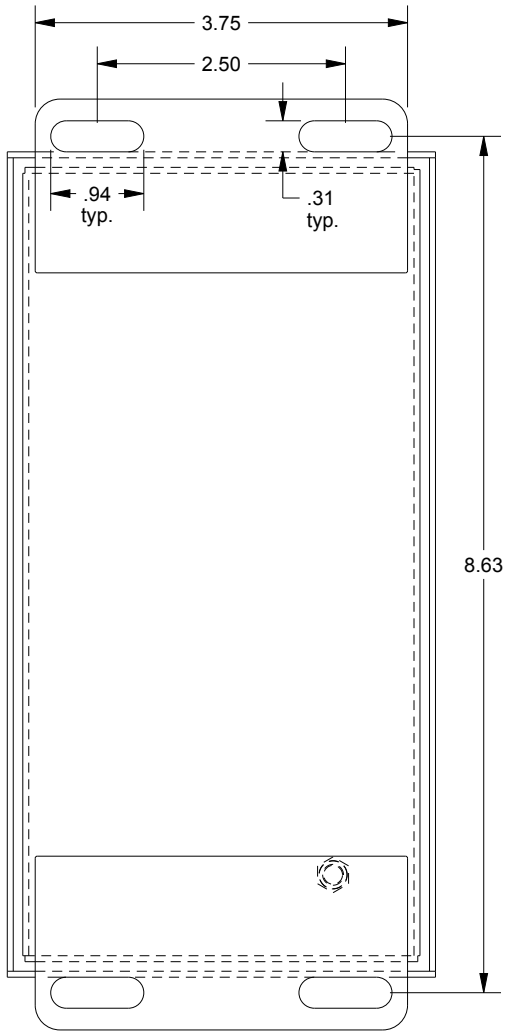
LEFT SIDE VIEW



FRONT VIEW



RIGHT SIDE VIEW



EXTERNAL REAR VIEW