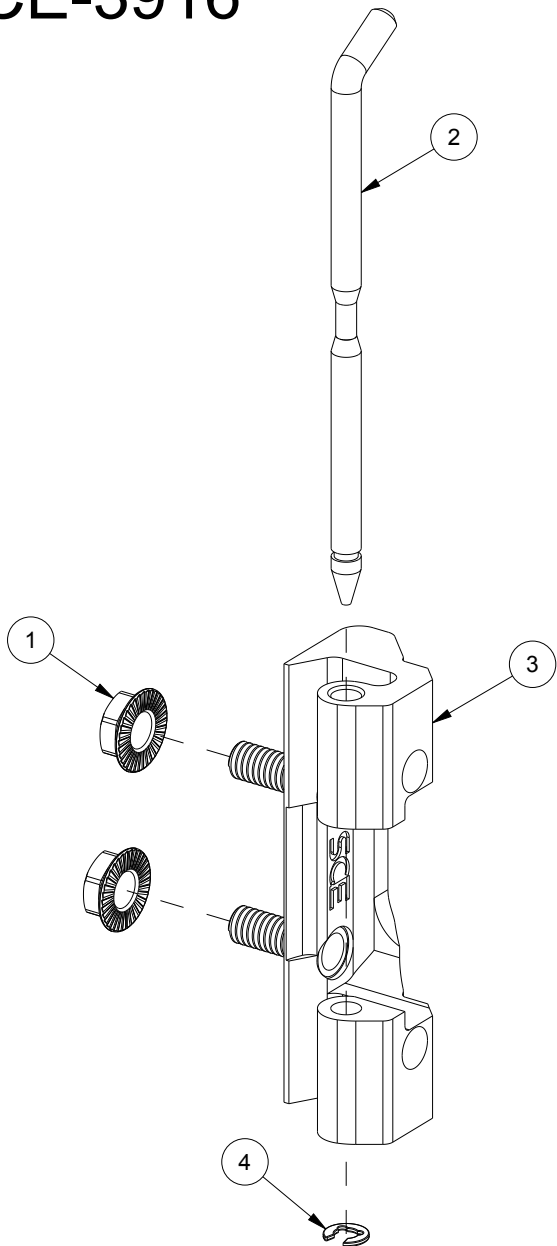
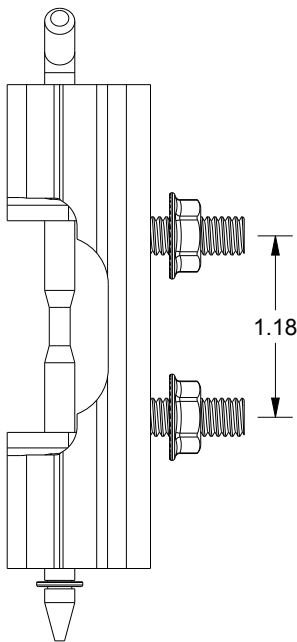
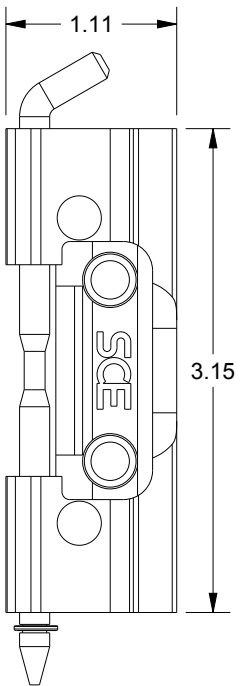
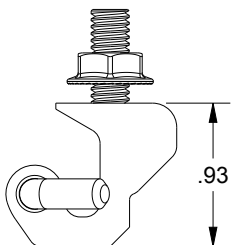


# SAGINAW CONTROL & ENGINEERING SCE-3916



### BILL OF MATERIAL

ITEM	QTY	PART DESCRIPTION	PART I.D.
1	2	Nut, Serrated Flange, 1/4-20 Steel, Zinc	100882
2	1	Hinge Pin, SCE Large Concealed 4.00 X 0.195 Stainless Steel	101221
3	1	Concealed Hinge, Large w/ SCE Logo, Zinc Die Cast	101369
4	1	Retainer, E-Clip, 0.03"Thick X 0.16" ID X 0.35" OD, Stainless	101670