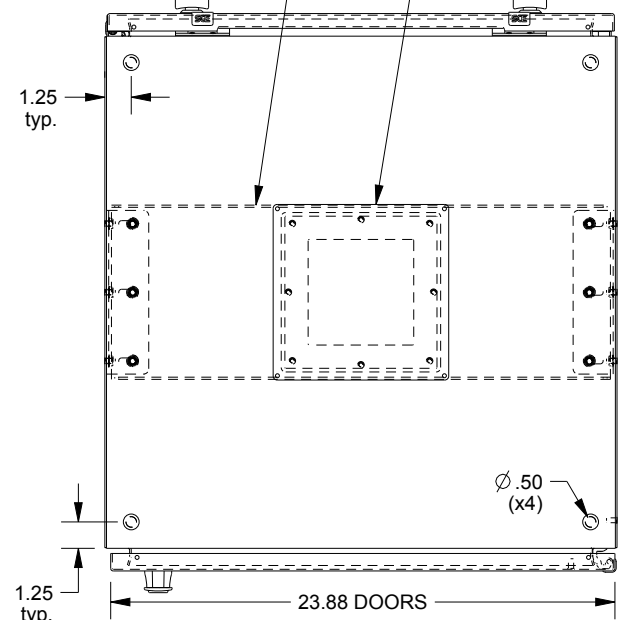


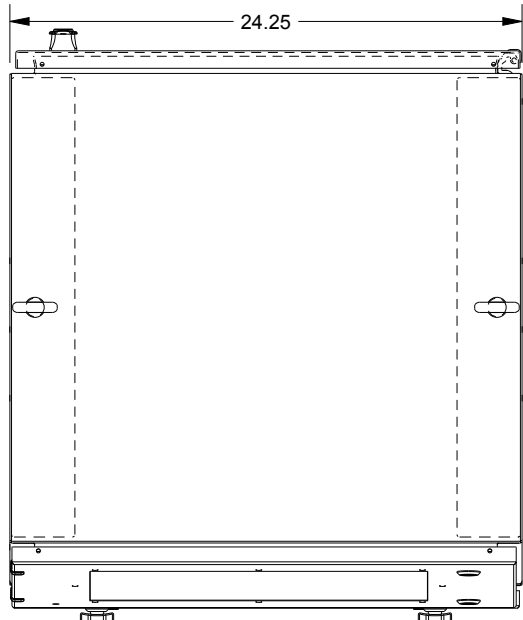
SAGINAW CONTROL & ENGINEERING SCE-342424WS

REINFORCED BOTTOM FOR
ADDITIONAL STRENGTH

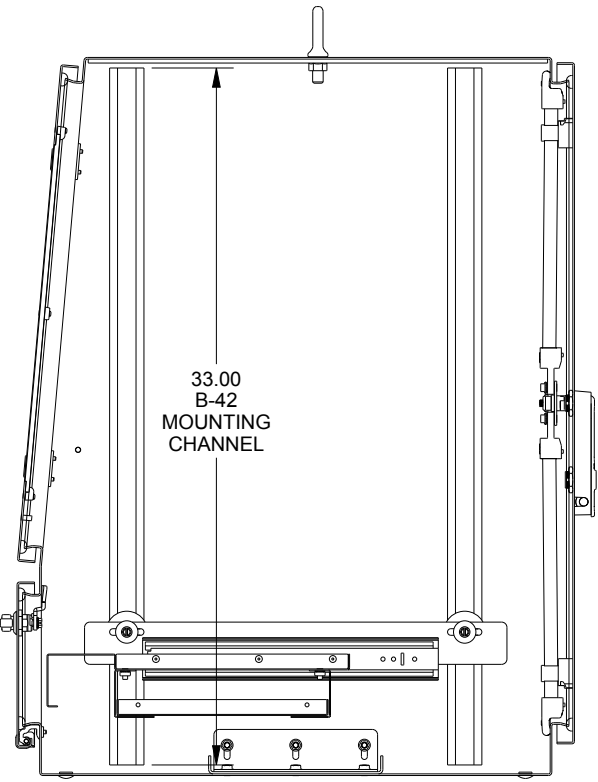
GASKETED COVER PLATE PROVIDED FOR
WHEN PEDESTAL MOUNTING PROVISIONS
AND CUTOUTS ARE NOT USED



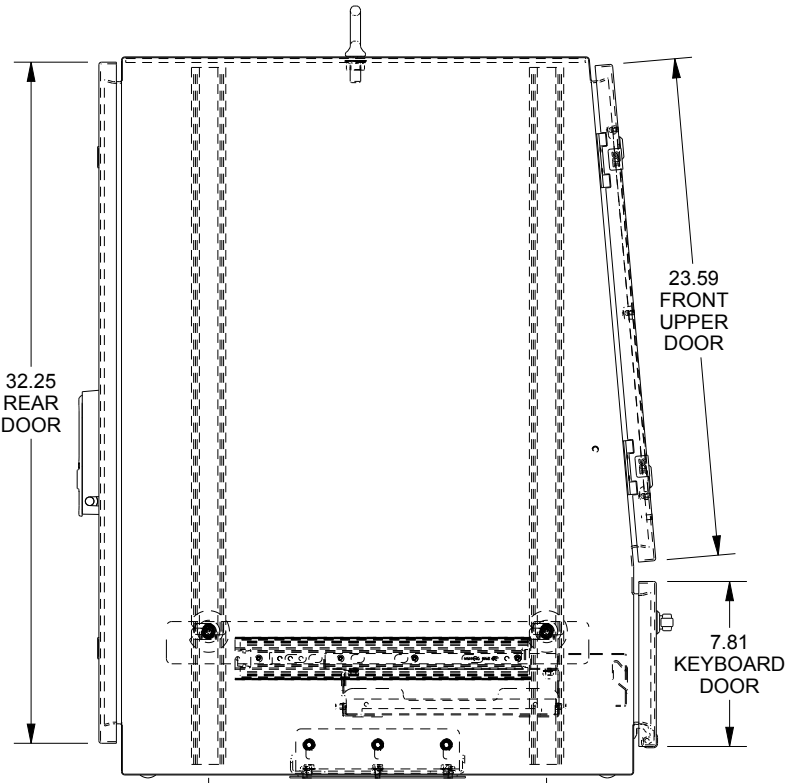
BOTTOM VIEW



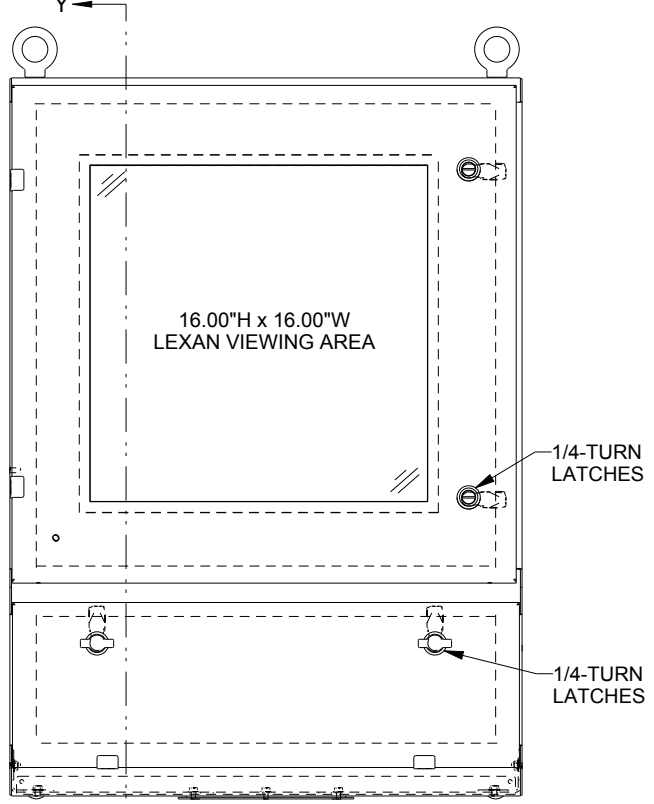
TOP VIEW



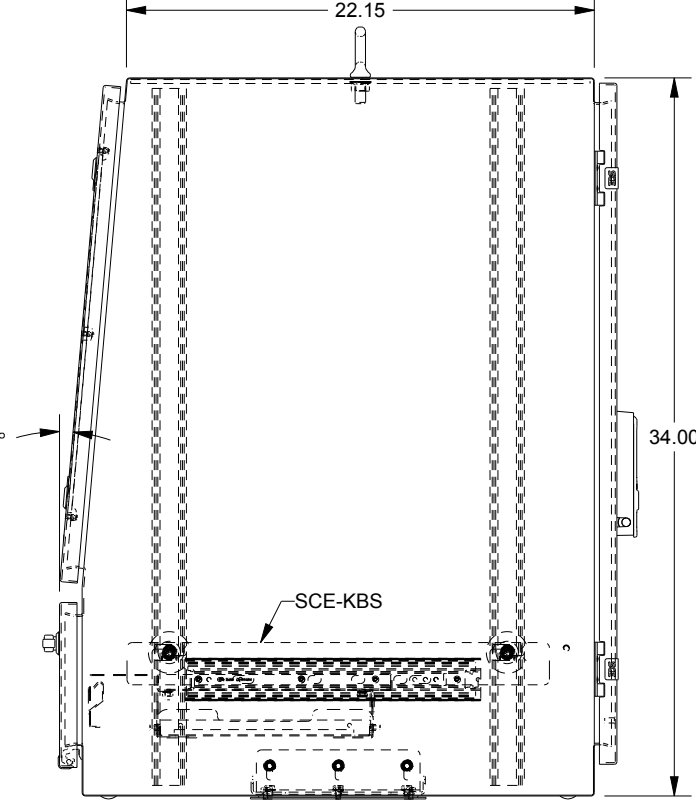
SECTION Y-Y



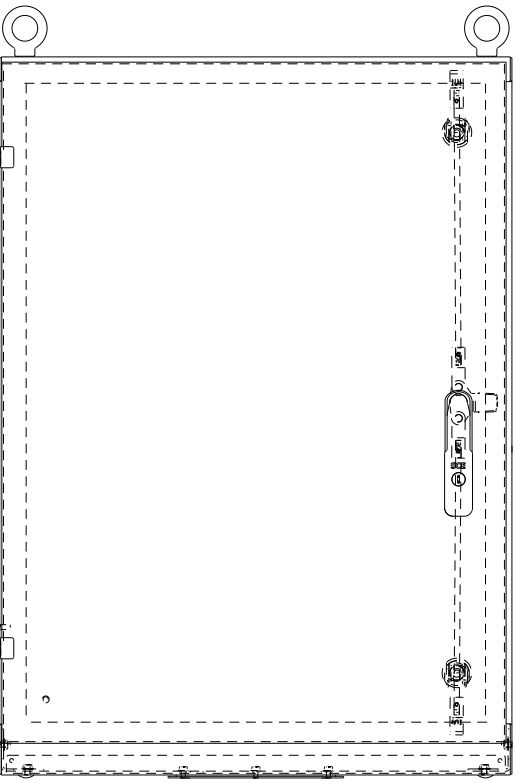
LEFT SIDE VIEW



FRONT VIEW



RIGHT SIDE VIEW



REAR VIEW