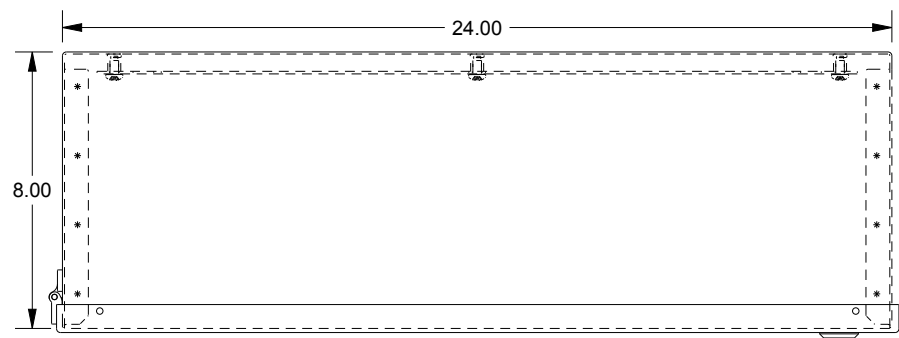
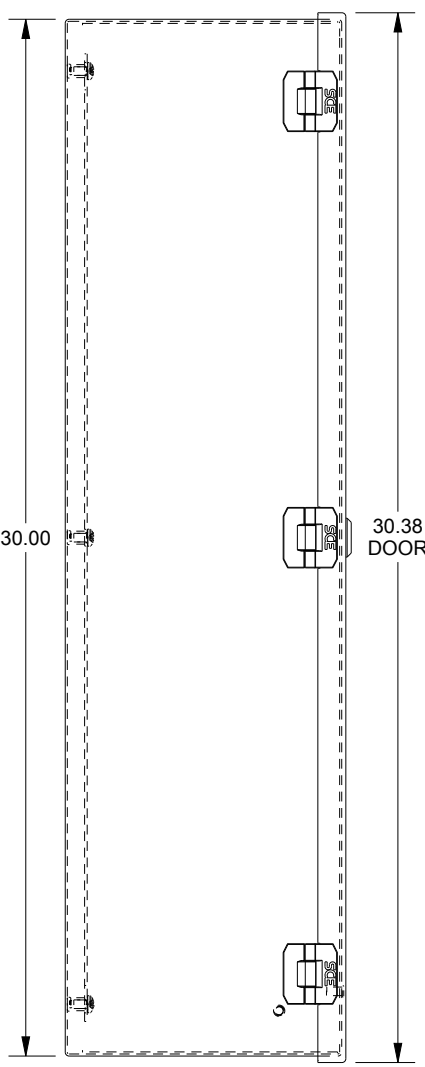


SAGINAW CONTROL & ENGINEERING

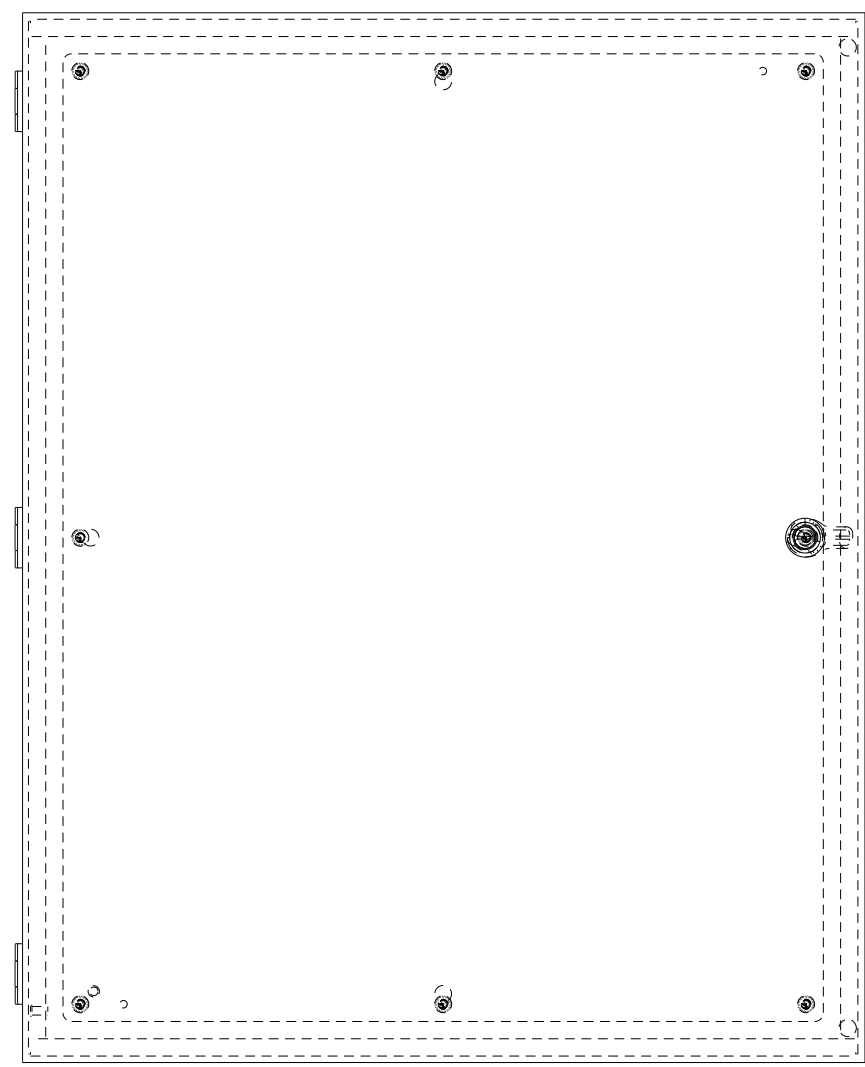
SCE-30N2408LP



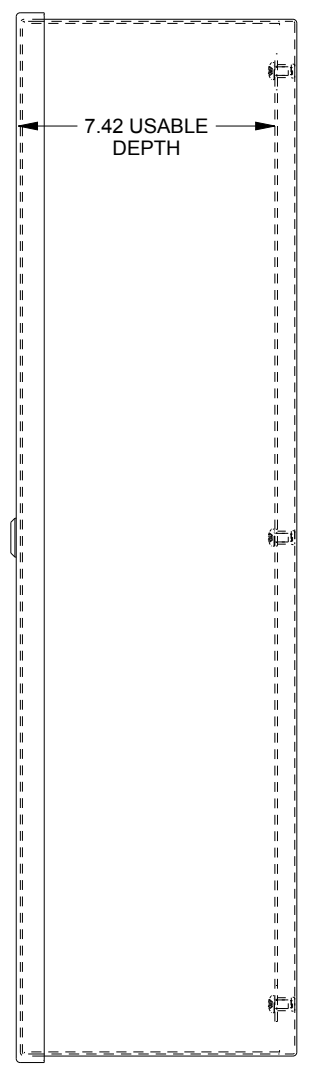
TOP VIEW



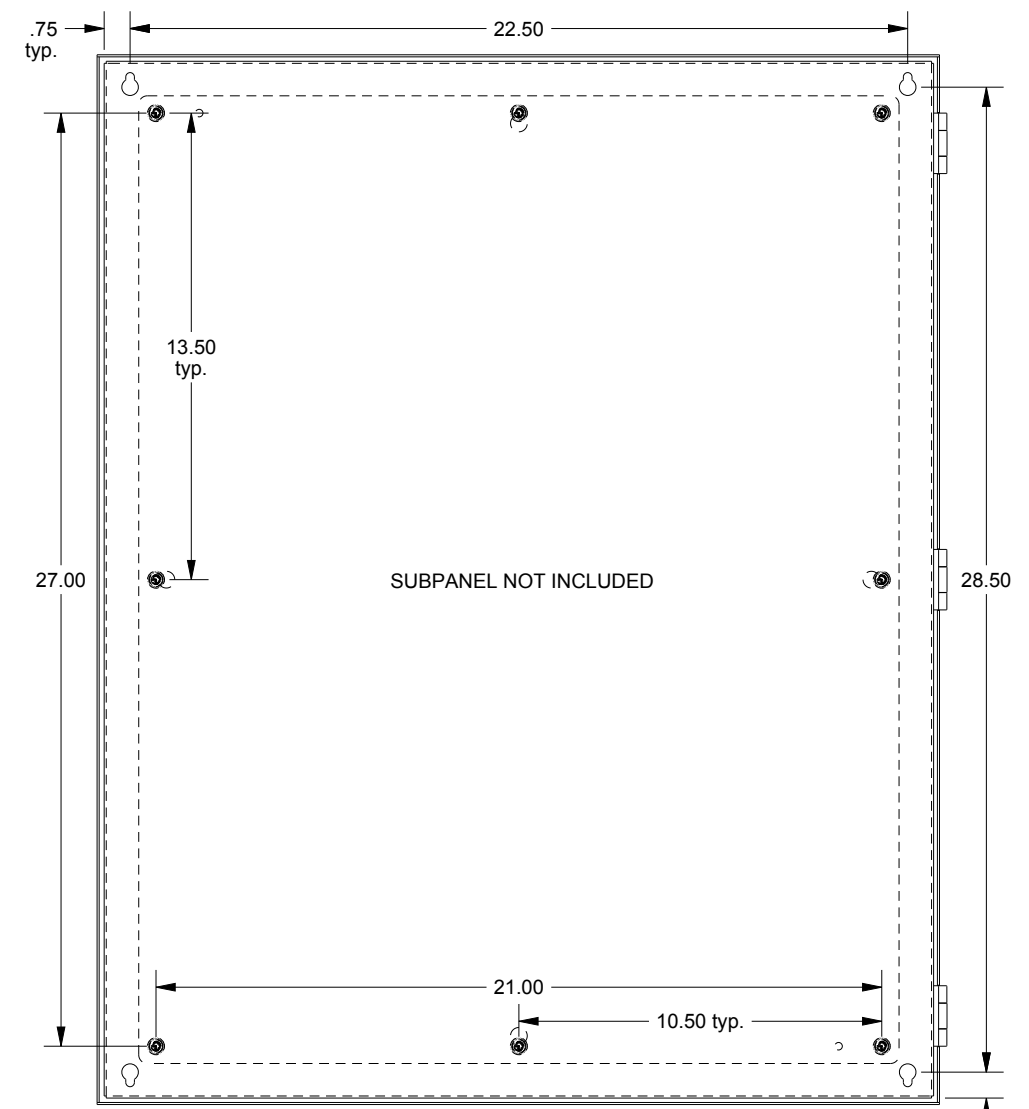
LEFT SIDE VIEW



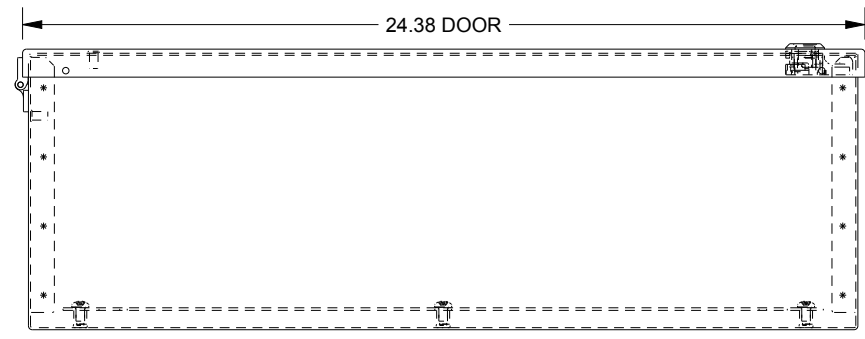
FRONT VIEW



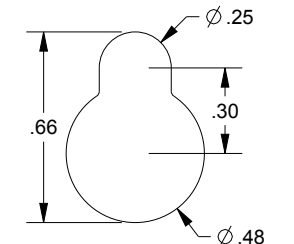
RIGHT SIDE VIEW



EXTERNAL REAR VIEW



BOTTOM VIEW



MOUNTING HOLE DETAIL
(4plcs.)