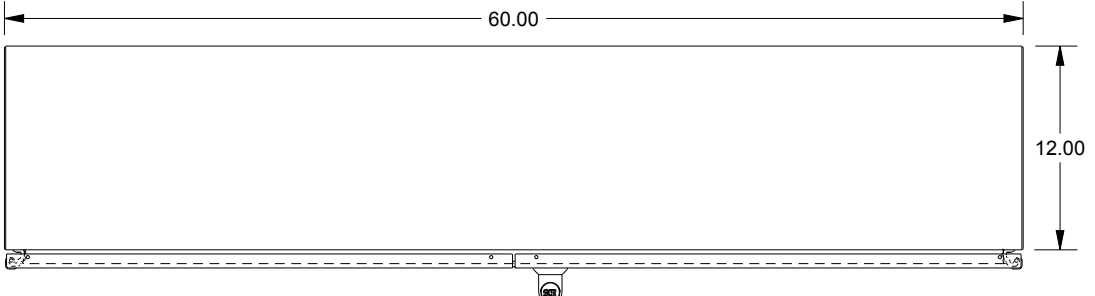
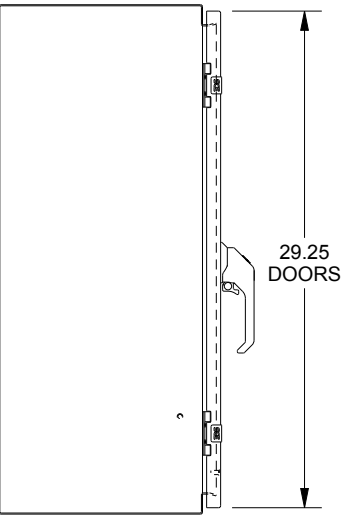


SAGINAW CONTROL & ENGINEERING

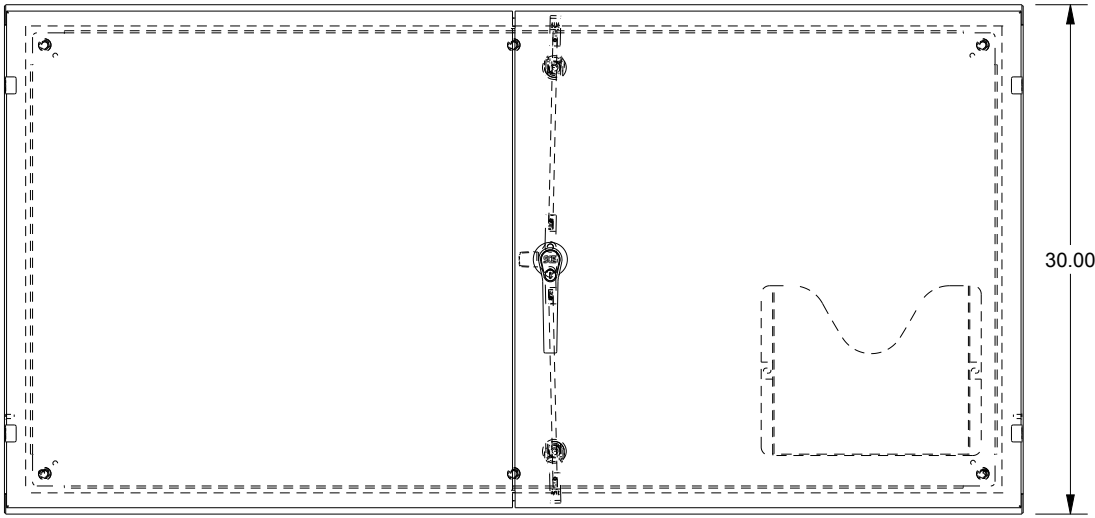
SCE-306012WFLP



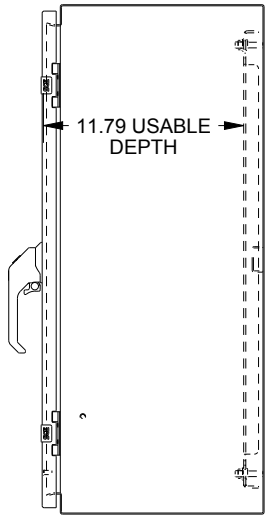
TOP VIEW



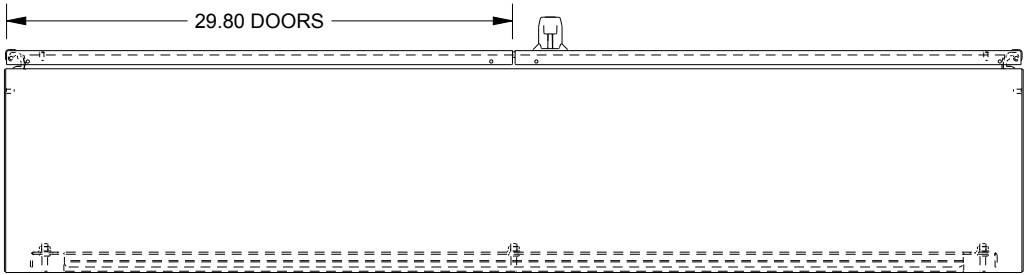
LEFT SIDE VIEW



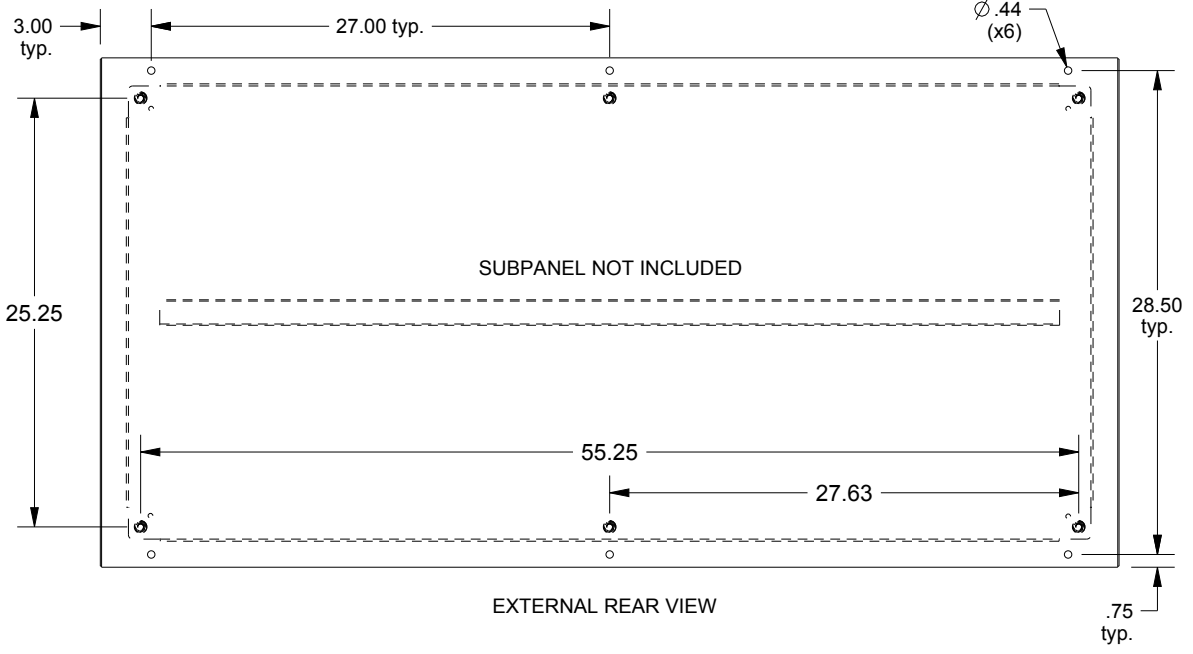
FRONT VIEW



RIGHT SIDE VIEW



BOTTOM VIEW



EXTERNAL REAR VIEW