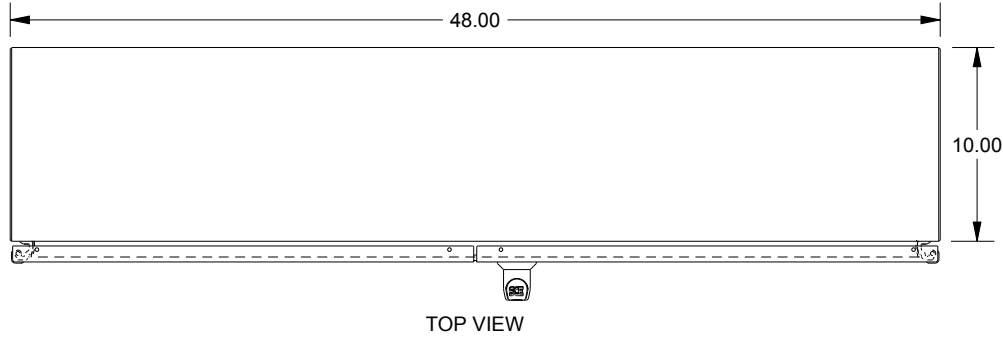
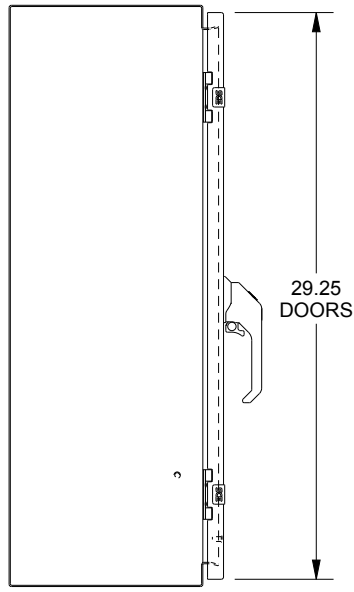


SAGINAW CONTROL & ENGINEERING

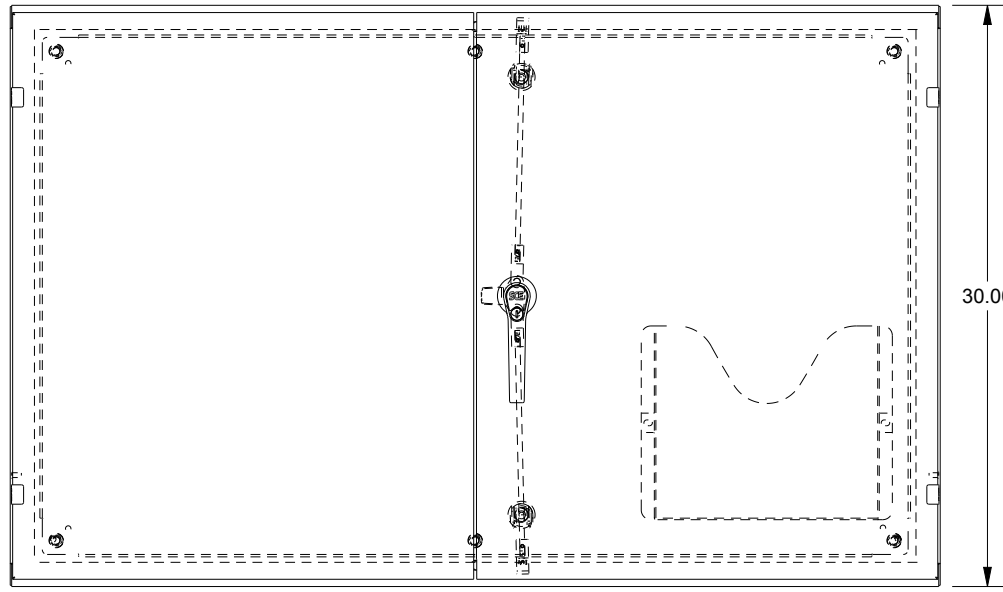
SCE-304810WFLP



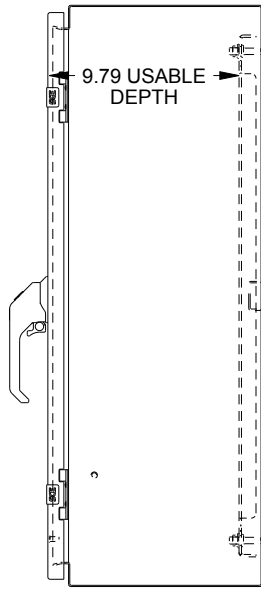
TOP VIEW



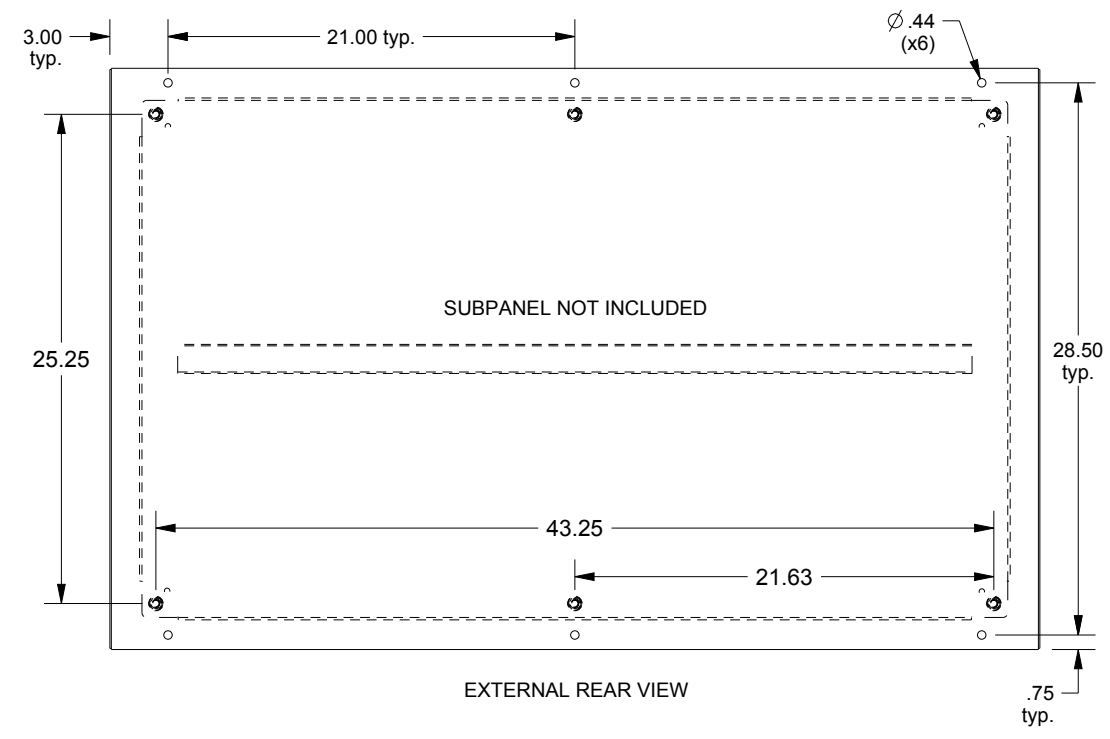
LEFT SIDE VIEW



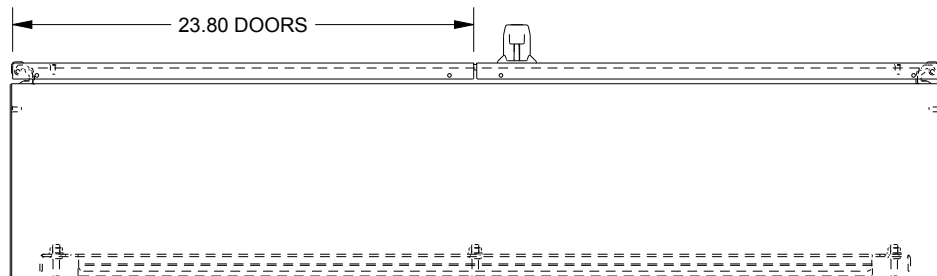
FRONT VIEW



RIGHT SIDE VIEW



EXTERNAL REAR VIEW



BOTTOM VIEW