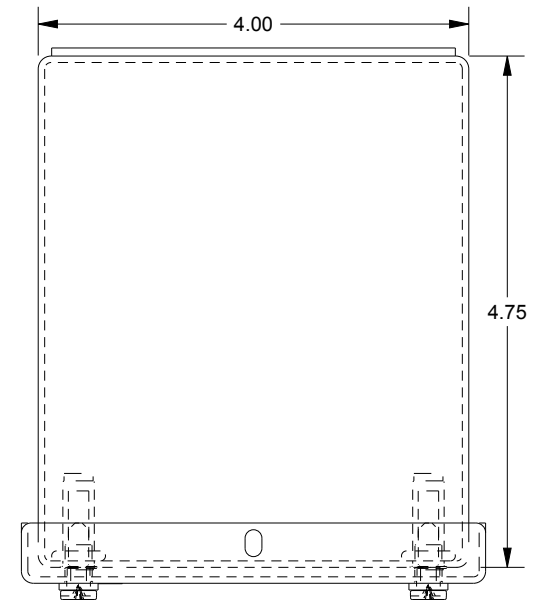
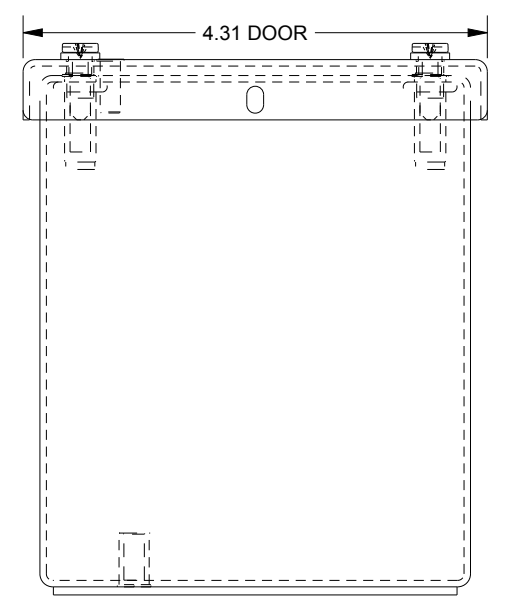


# SAGINAW CONTROL & ENGINEERING

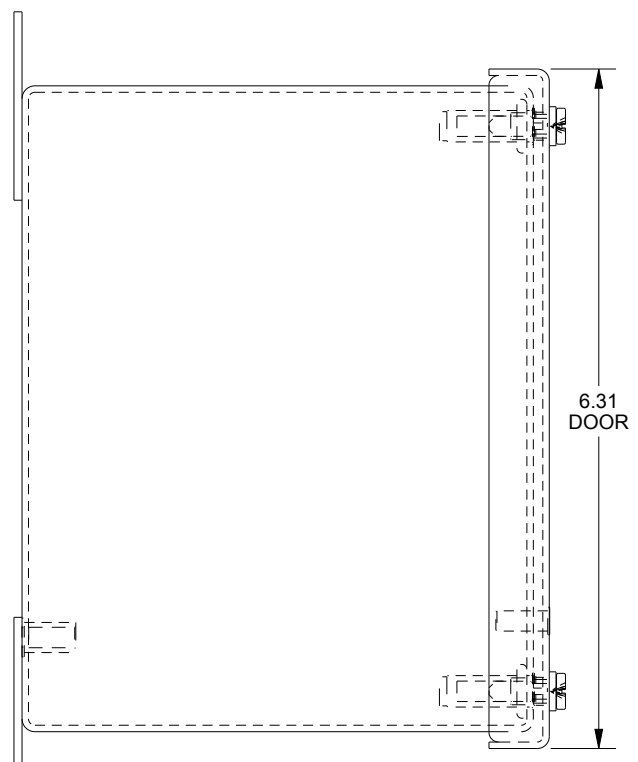
## SCE-2PBXI



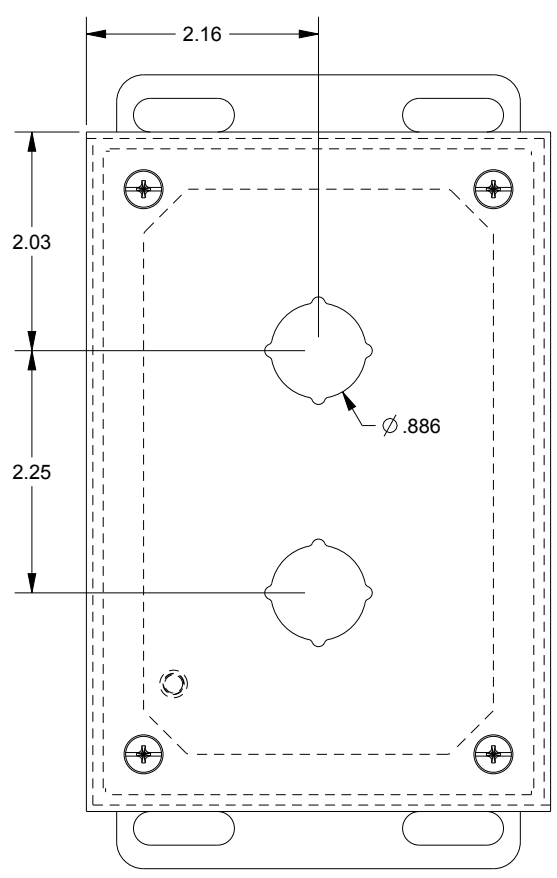
TOP VIEW



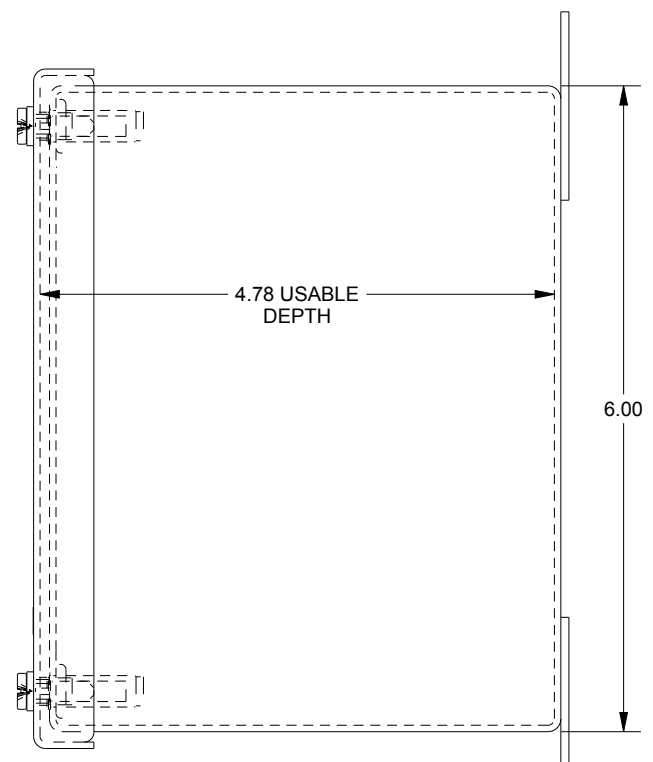
BOTTOM VIEW



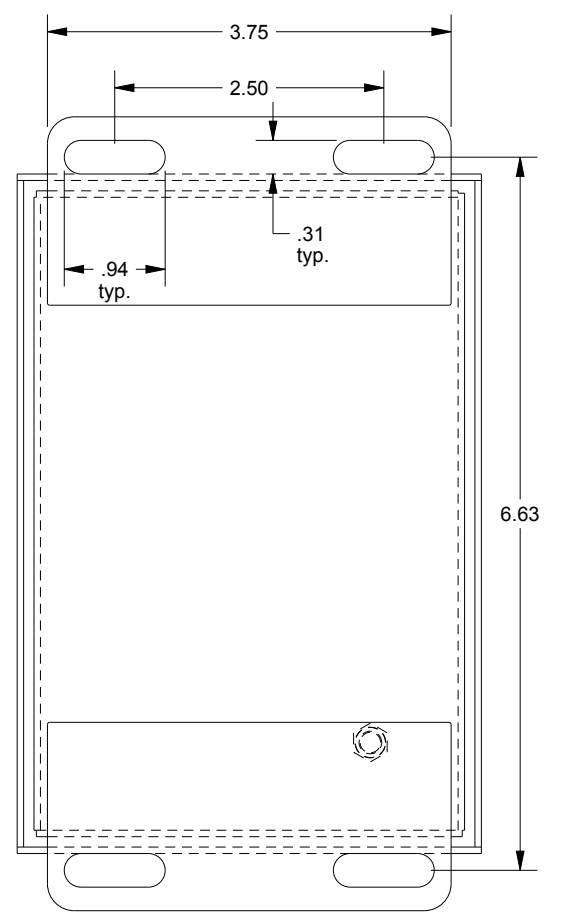
LEFT SIDE VIEW



FRONT VIEW



RIGHT SIDE VIEW



EXTERNAL REAR VIEW