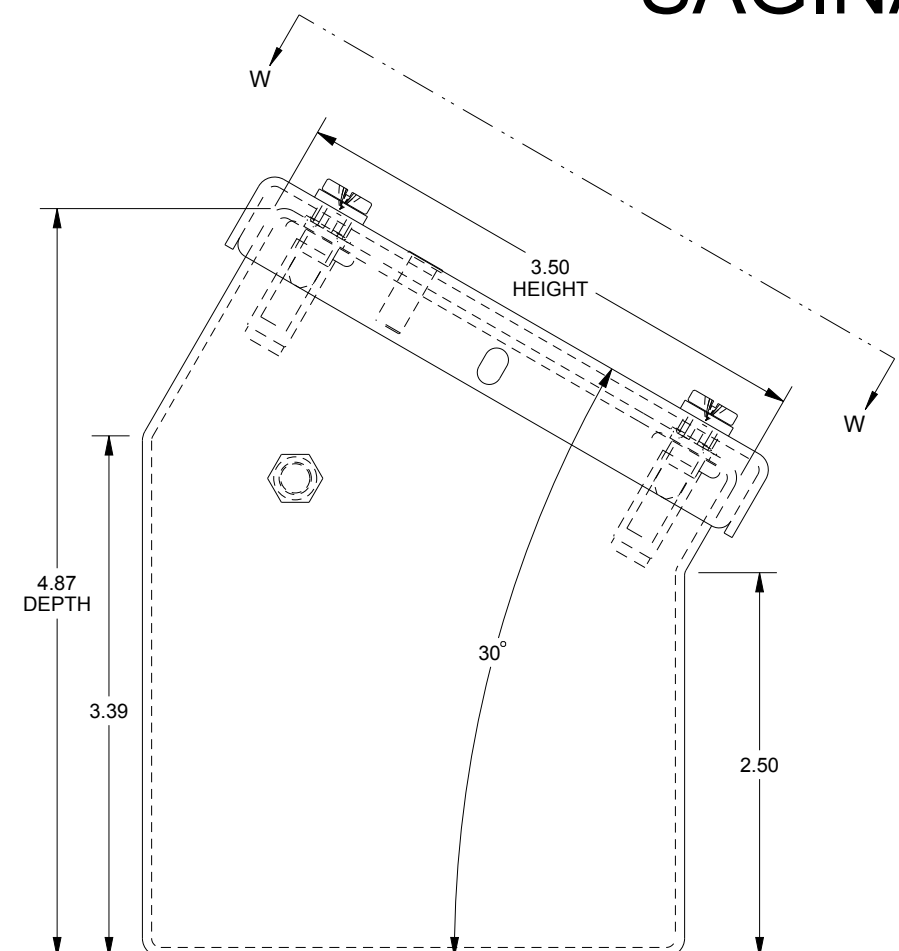


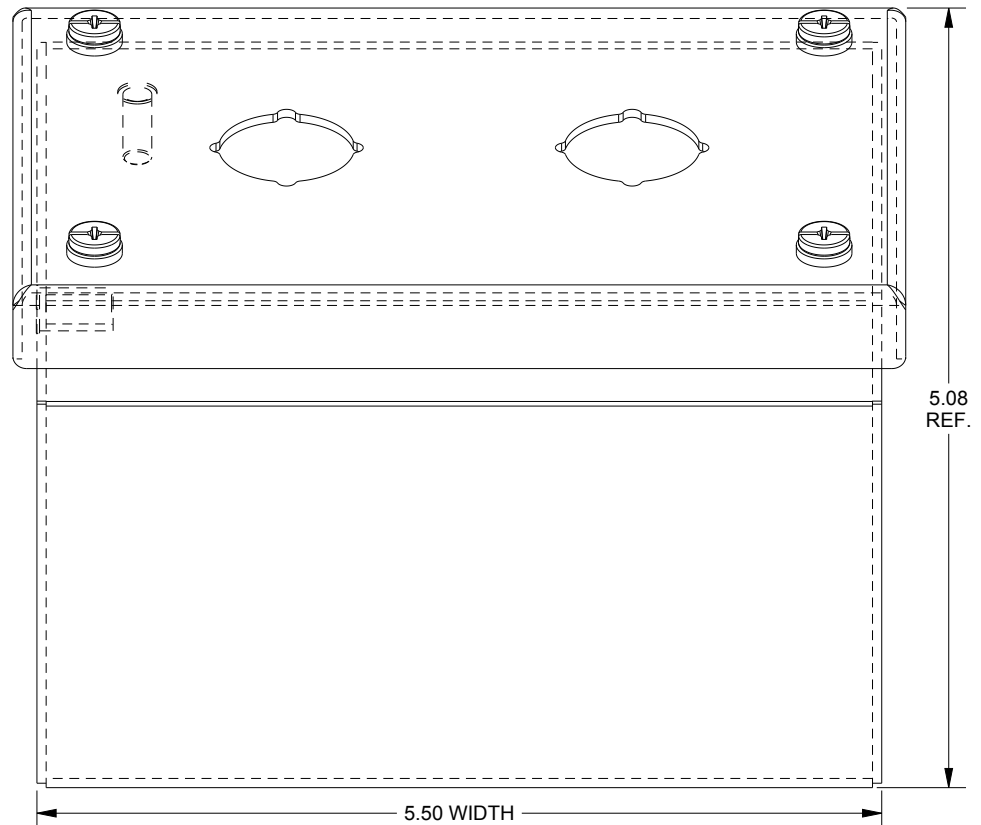
# SAGINAW CONTROL & ENGINEERING SCE-2PBAI



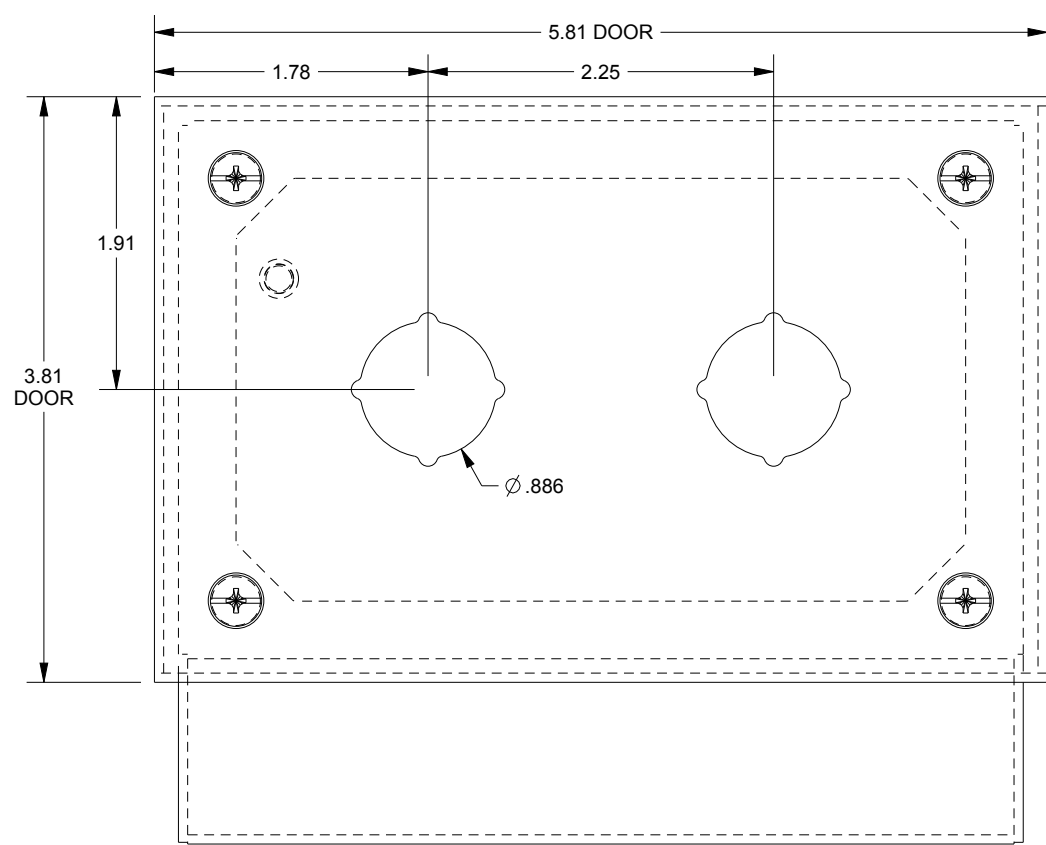
REAR VIEW



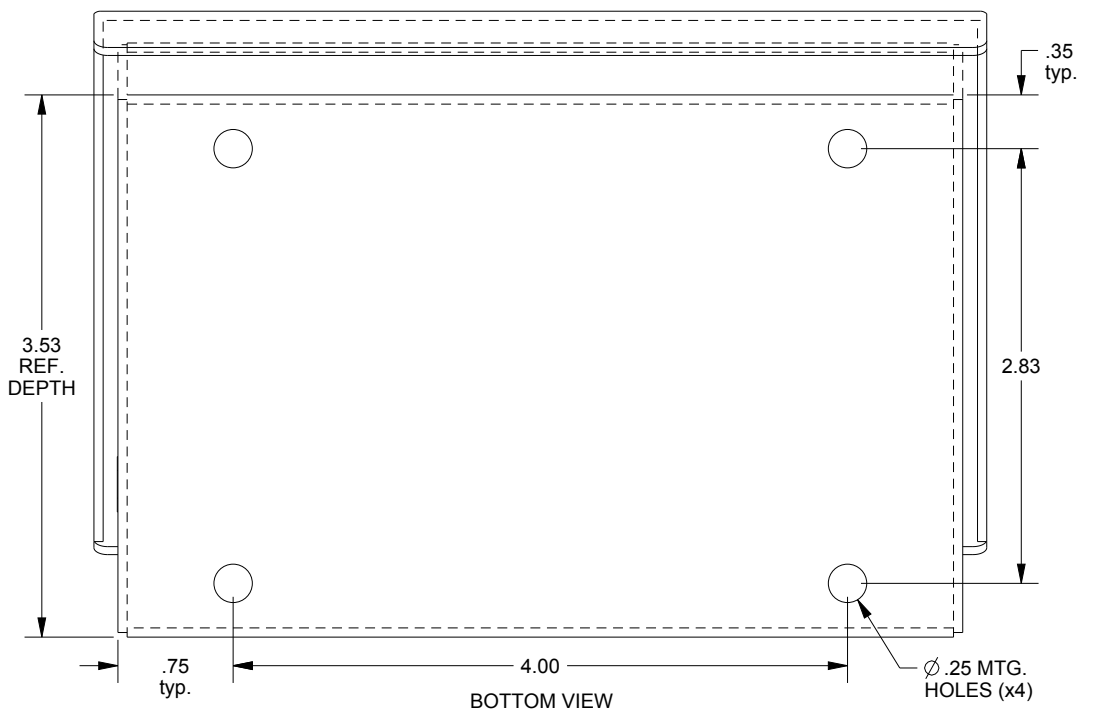
LEFT SIDE VIEW



FRONT VIEW



SECTION W-W



BOTTOM VIEW