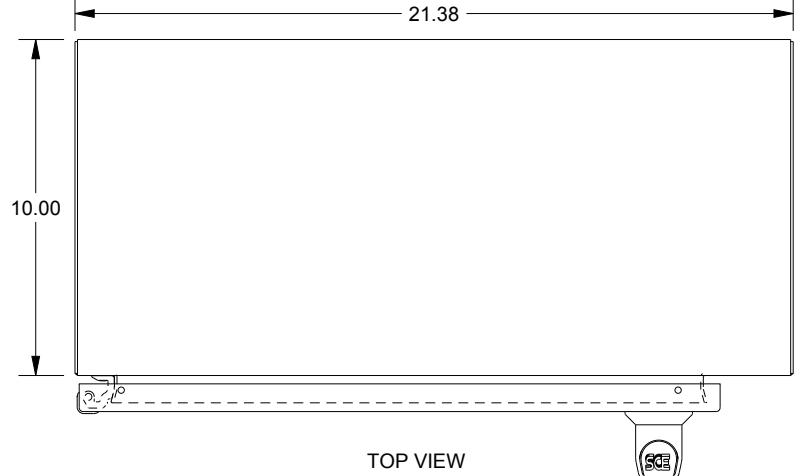
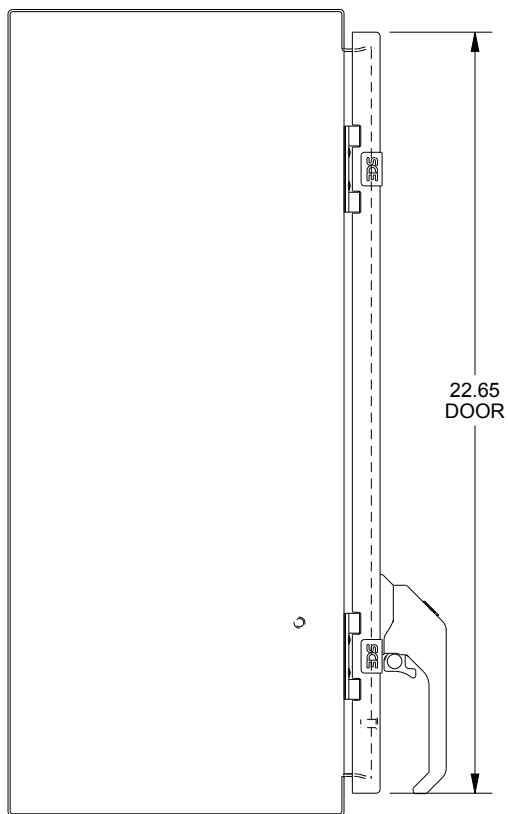


SAGINAW CONTROL & ENGINEERING

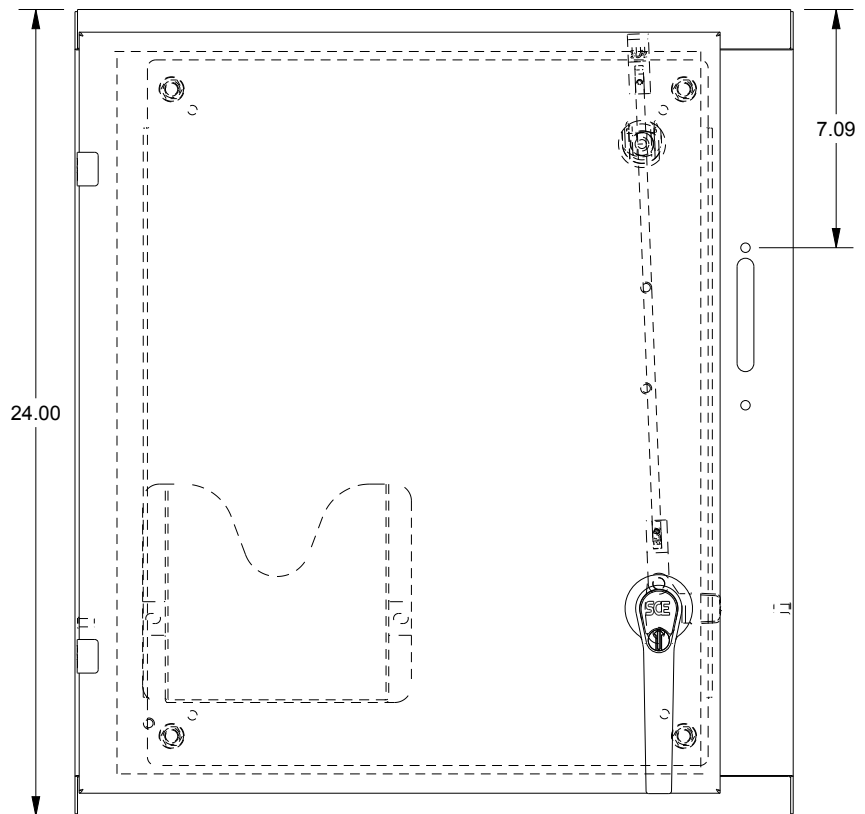
SCE-24XEL2110LP = SCE-09 GRAY
 SCE-24XEL2110LPLG = RAL 7035



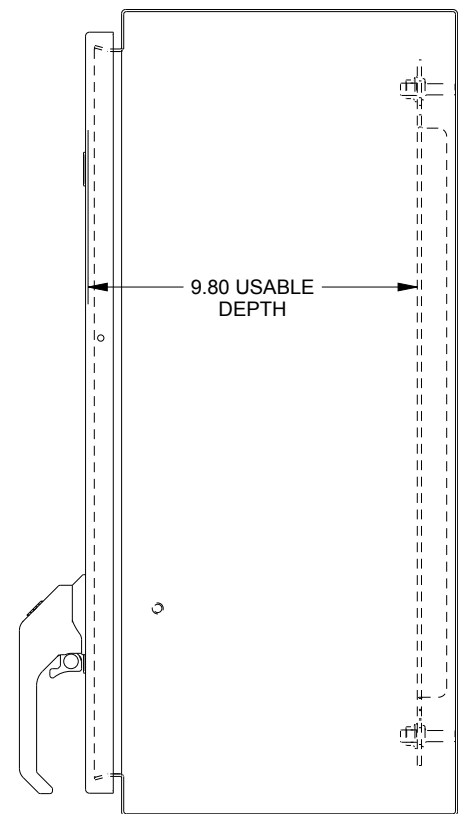
TOP VIEW



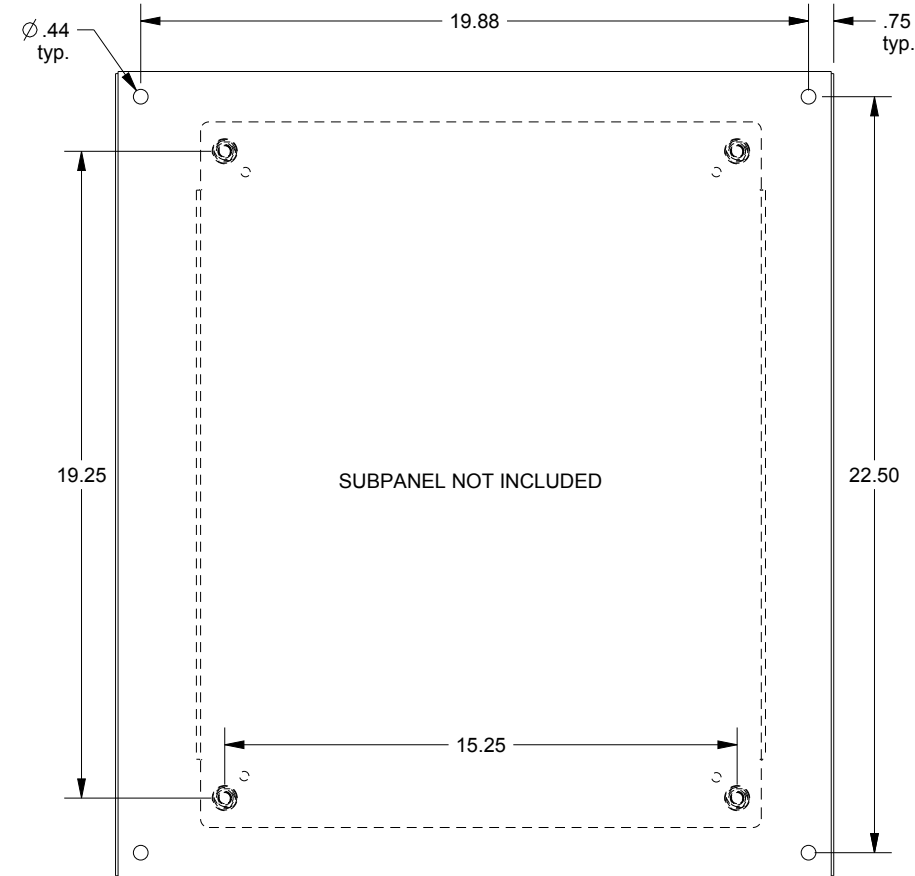
LEFT SIDE VIEW



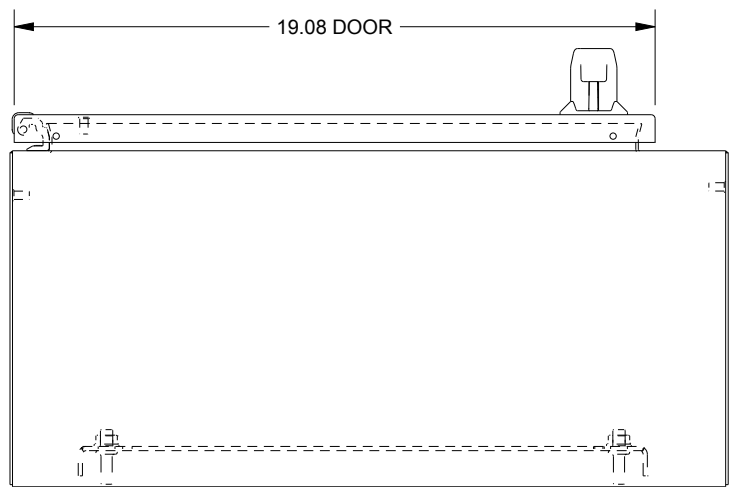
FRONT VIEW



RIGHT SIDE VIEW



EXTERNAL REAR VIEW



BOTTOM VIEW