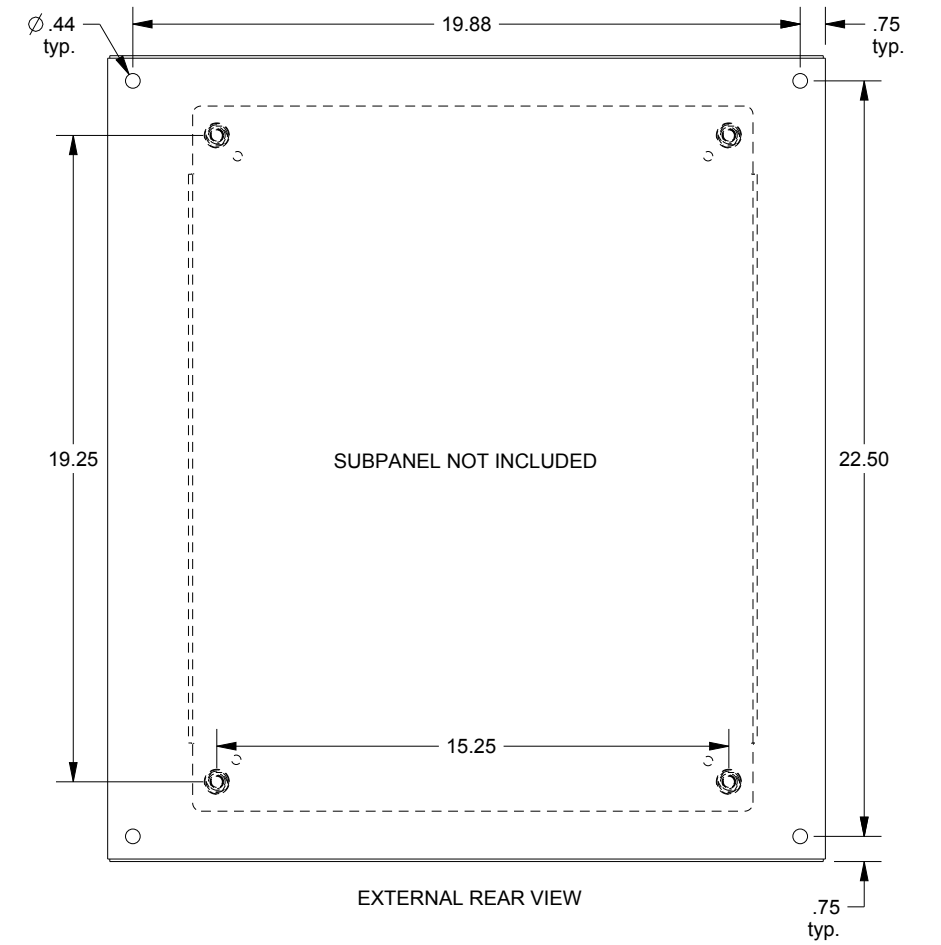
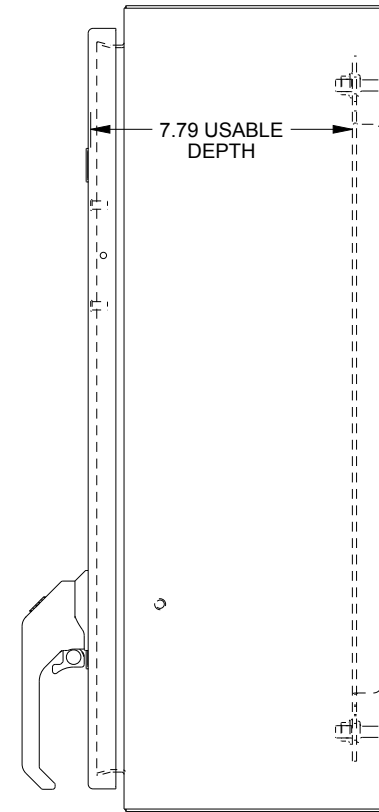
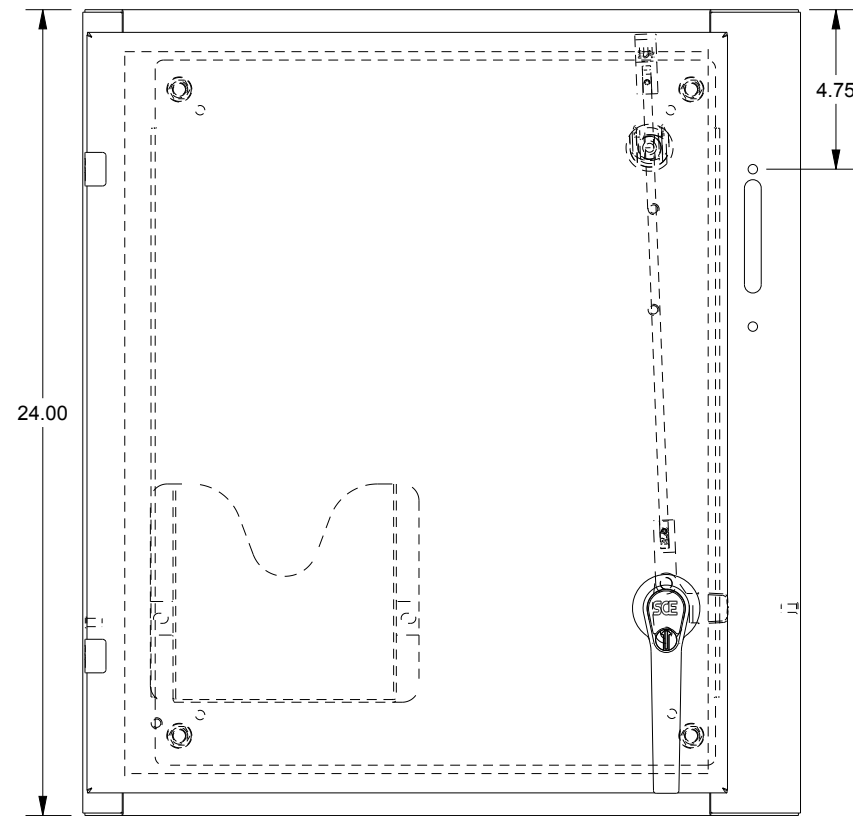
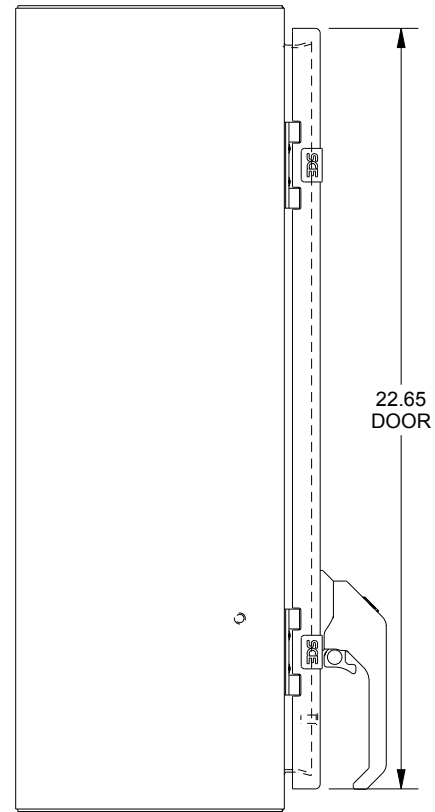
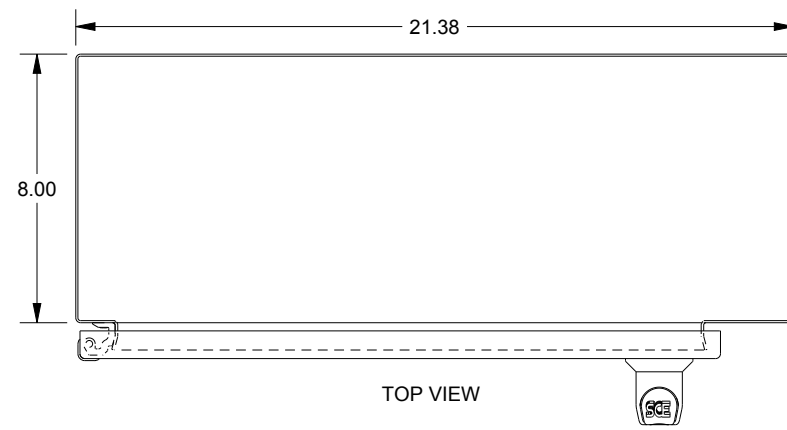


SAGINAW CONTROL & ENGINEERING

SCE-24XEL2108SS6LP

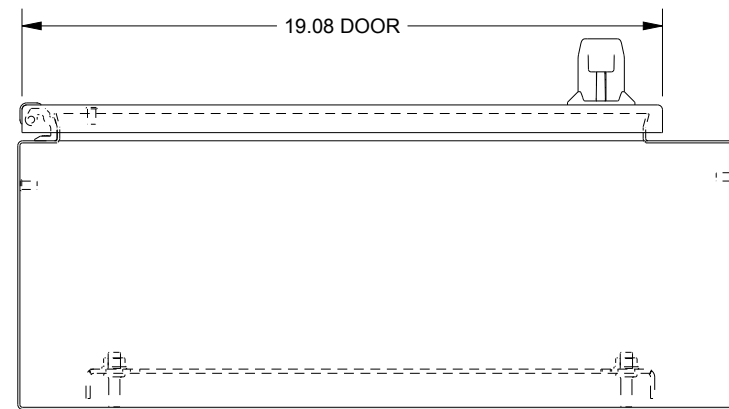


LEFT SIDE VIEW

FRONT VIEW

RIGHT SIDE VIEW

EXTERNAL REAR VIEW



BOTTOM VIEW