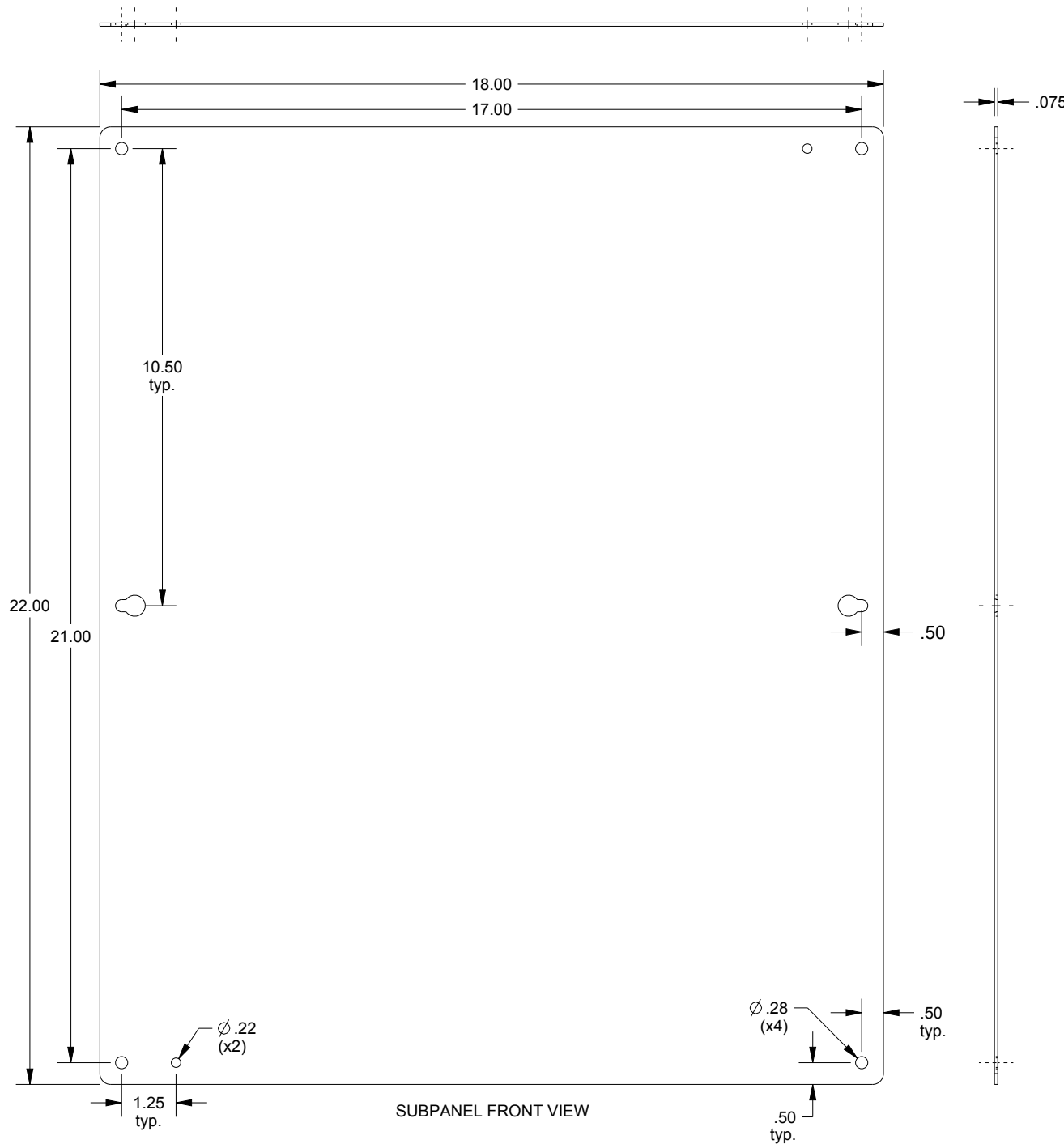


# SAGINAW CONTROL & ENGINEERING SCE-24N20MP



SUBPANEL FRONT VIEW

