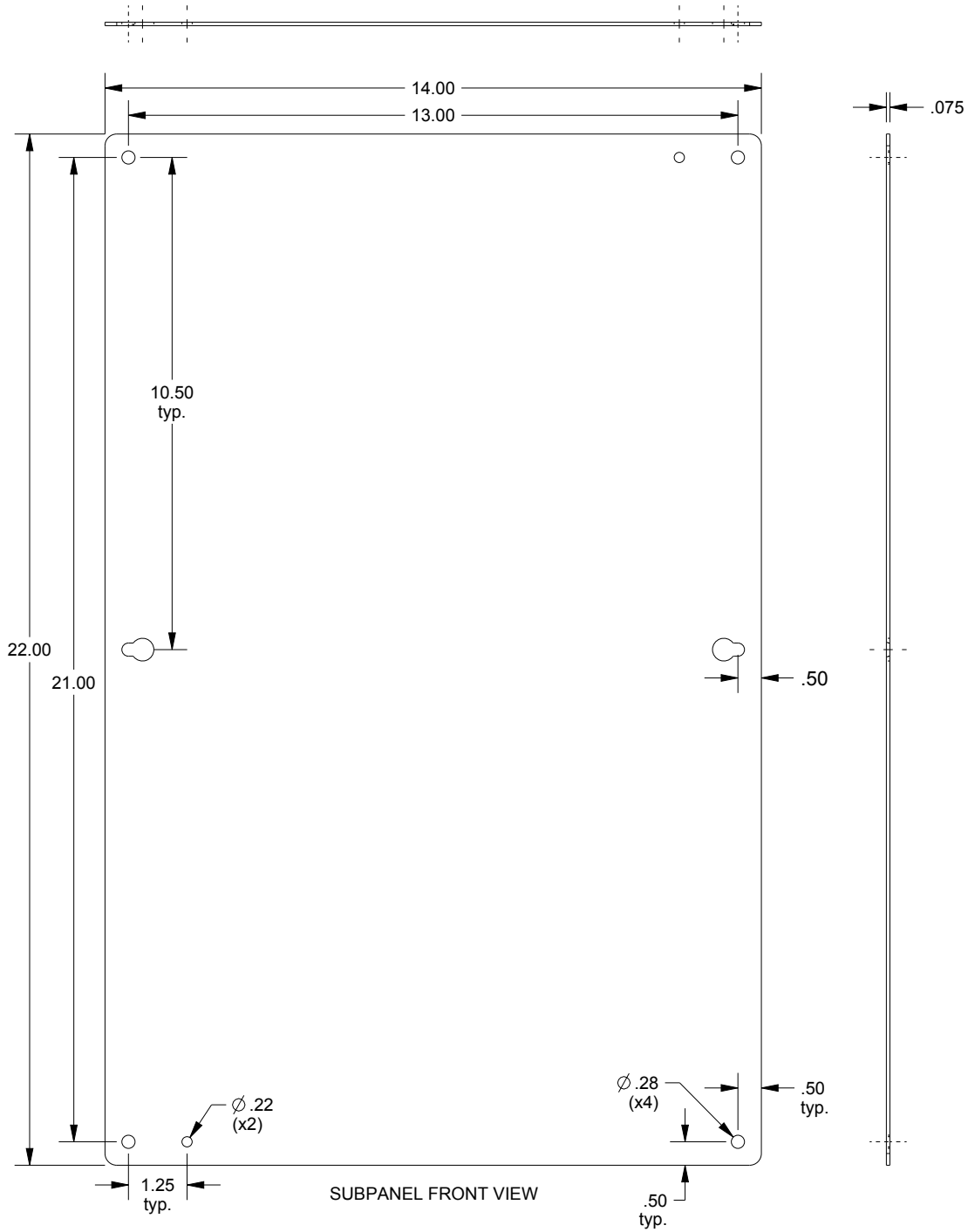
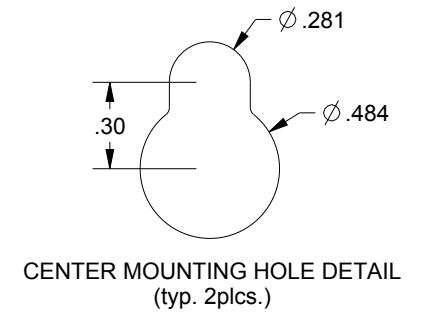


SAGINAW CONTROL & ENGINEERING

SCE-24N16MP



SUBPANEL FRONT VIEW



CENTER MOUNTING HOLE DETAIL
(typ. 2plcs.)