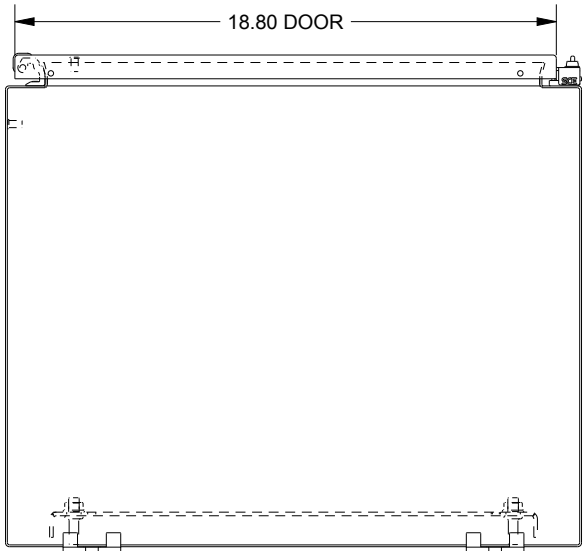
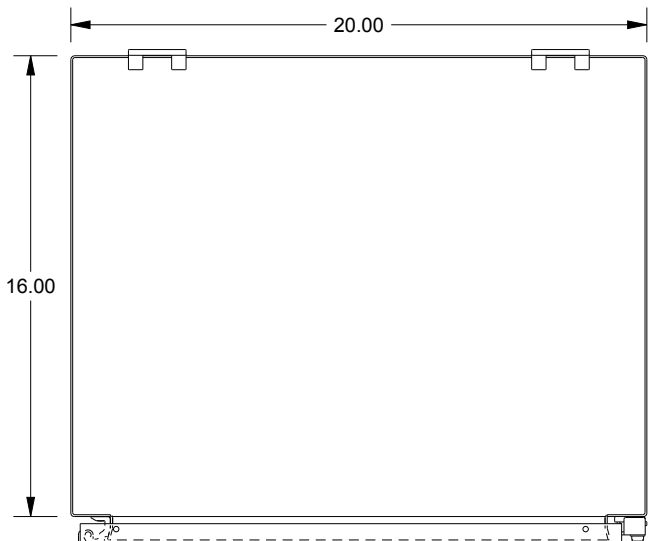


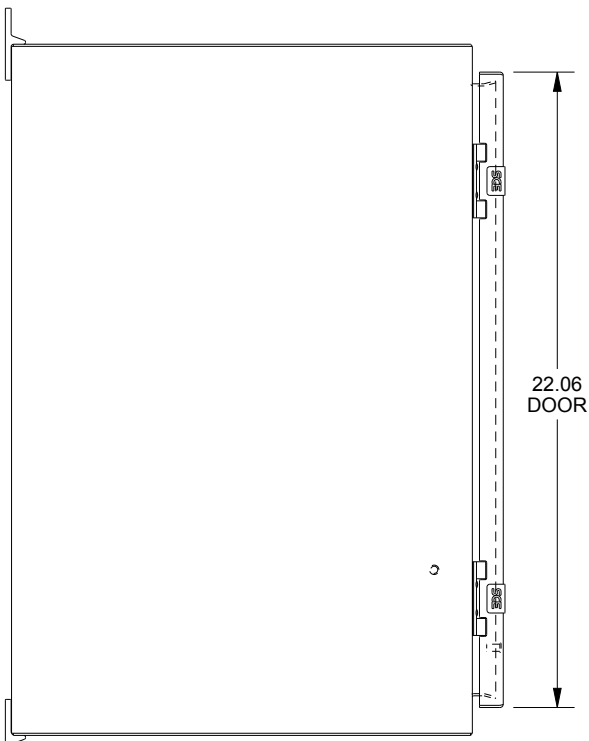
SAGINAW CONTROL & ENGINEERING SCE-24H2016LP



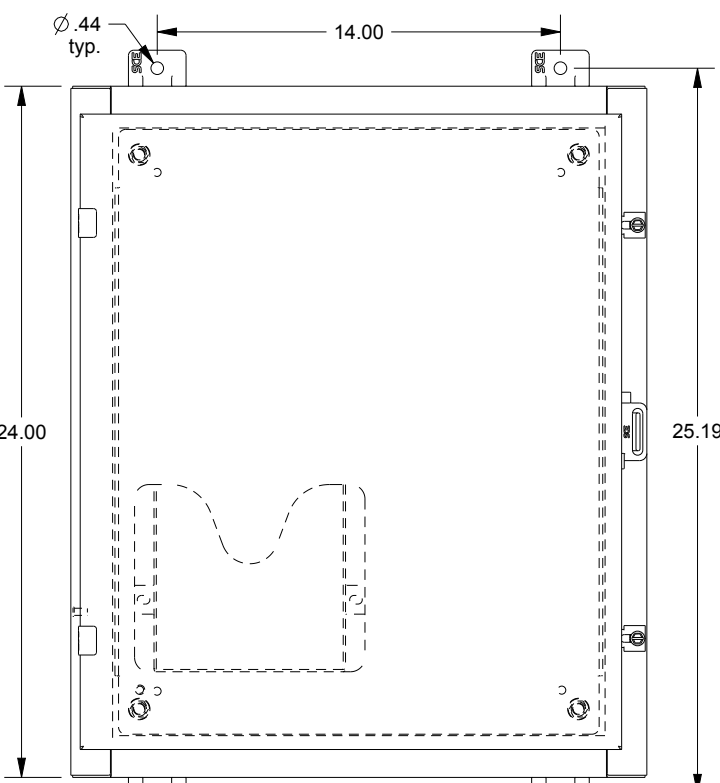
BOTTOM VIEW



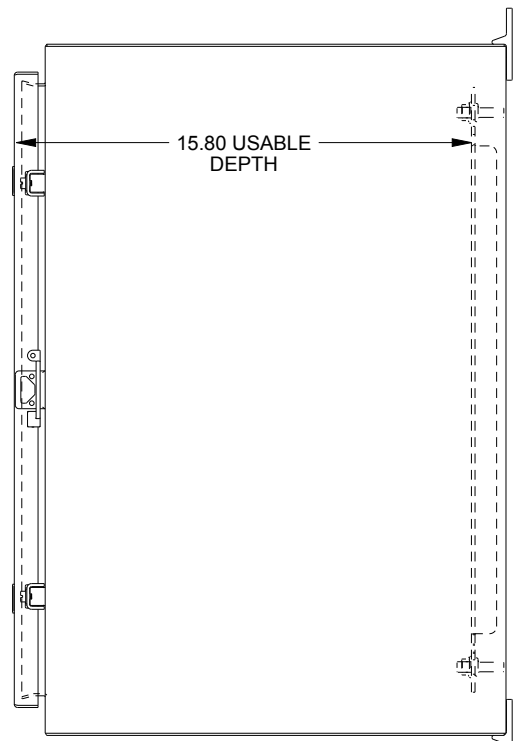
TOP VIEW



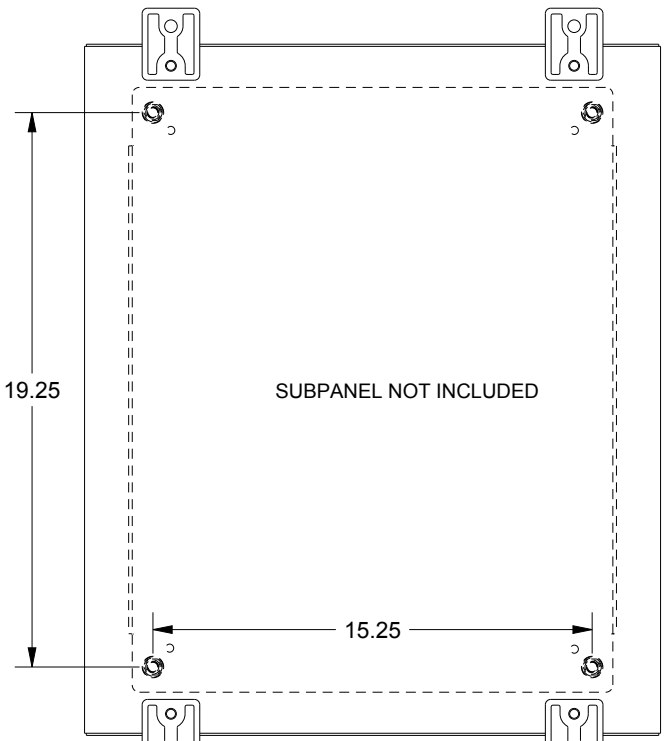
LEFT SIDE VIEW



FRONT VIEW



RIGHT SIDE VIEW



EXTERNAL REAR VIEW