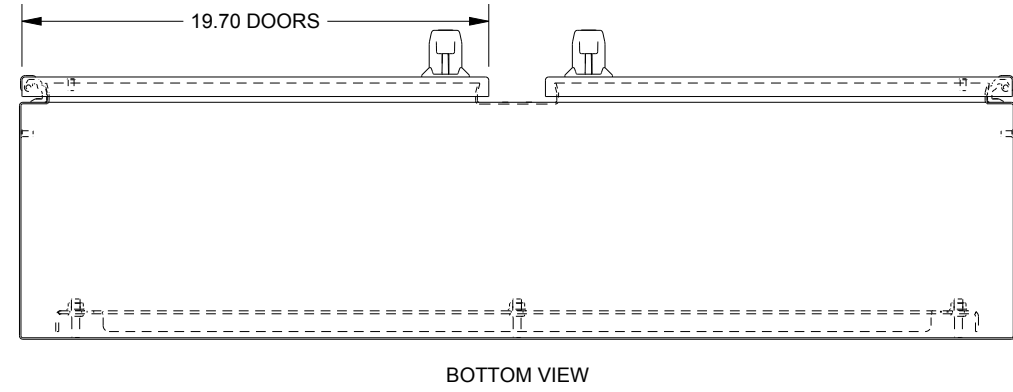
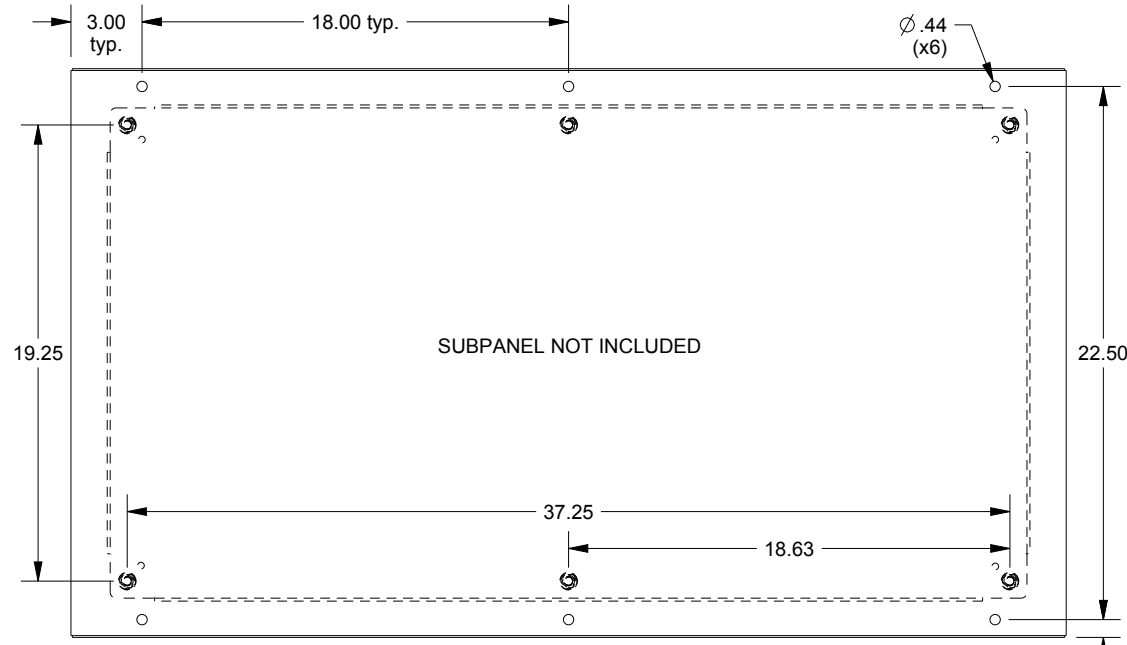
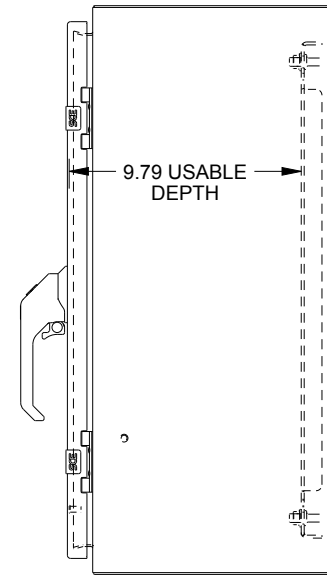
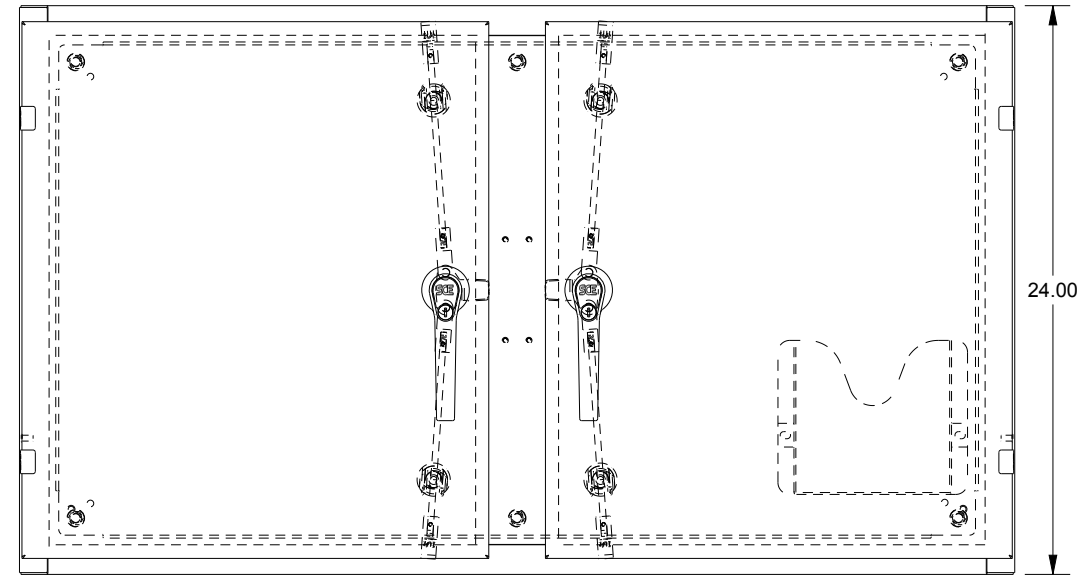
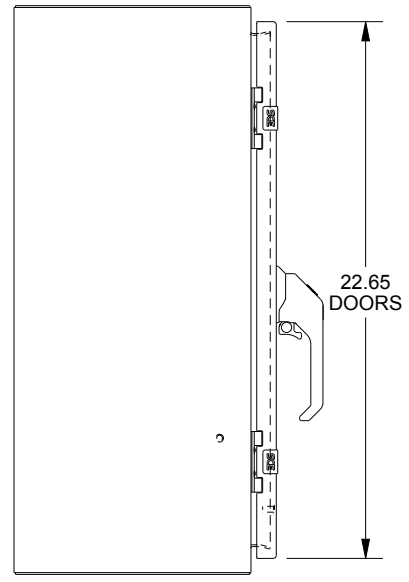
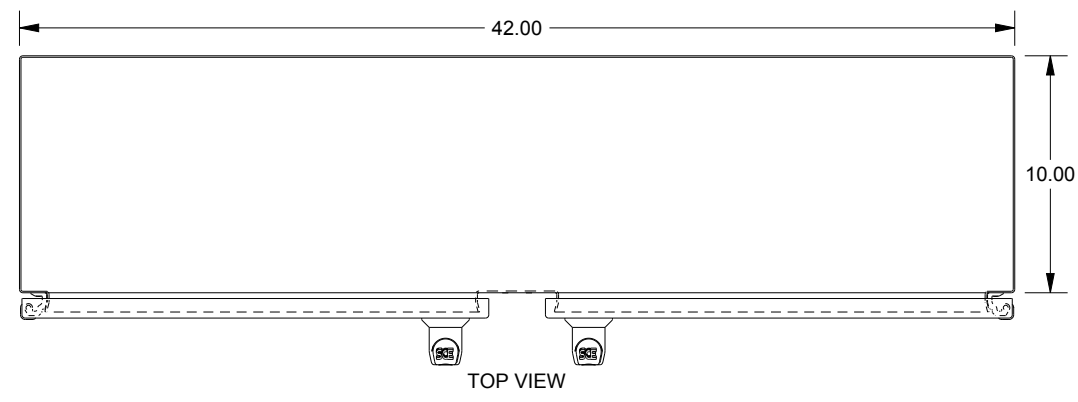


# SAGINAW CONTROL & ENGINEERING

## SCE-24EL4210SSWFLP



.75 typ.