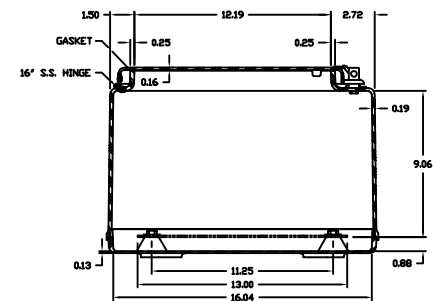
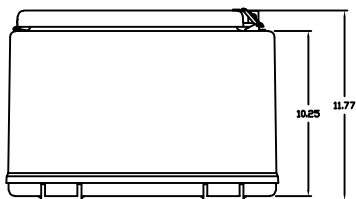


SECTION B-B



SECTION A-A

DRAWING SUBJECT TO CHANGE WITHOUT NOTICE

NOTES										
NEMA 4X										
CULR GLACIER GRAY R0103										
MATERIAL					TOLERANCES UNLESS SPECIFIED					
F.R. POLYESTER FIBERGLASS					DECIMAL	FRACTIONAL				
					± 0.10	± 1/32				
REV. REVISION RECD					DATE	BY	CHK.	SAGINAW CONTROL & ENGINEERING		
A WEB DRAWING CREATED					11/18/08	GF		95 MIDLAND RD.		
								SAGINAW MICHIGAN 48638		
								CUSTOMER		
								PART NAME		
								ENCLOSURE		
								PART NO.		
								SCE-20H16120FGLP		