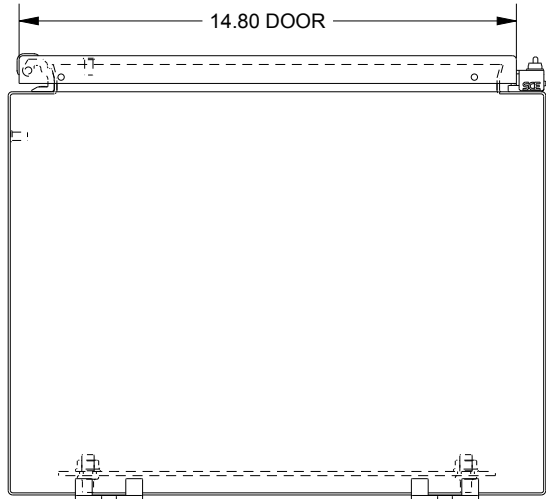
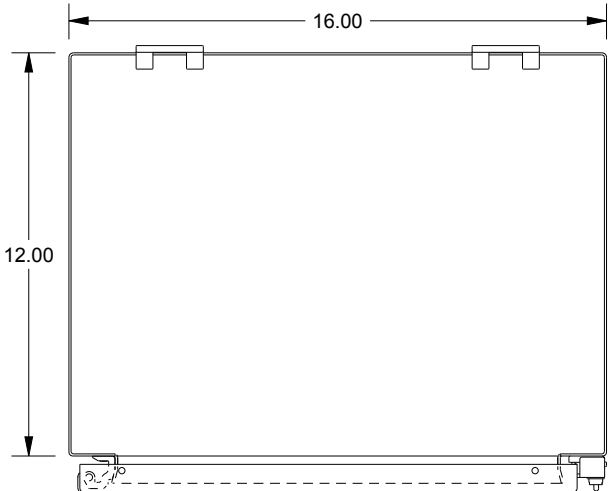


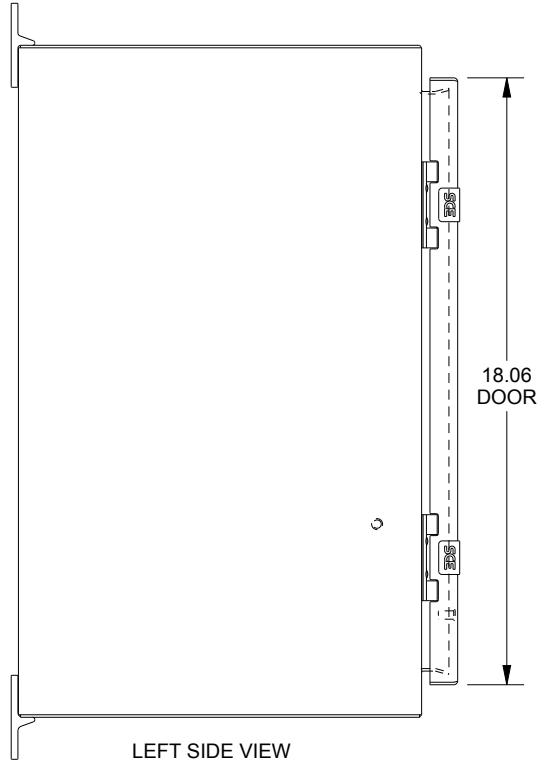
# SAGINAW CONTROL & ENGINEERING SCE-20H1612LP



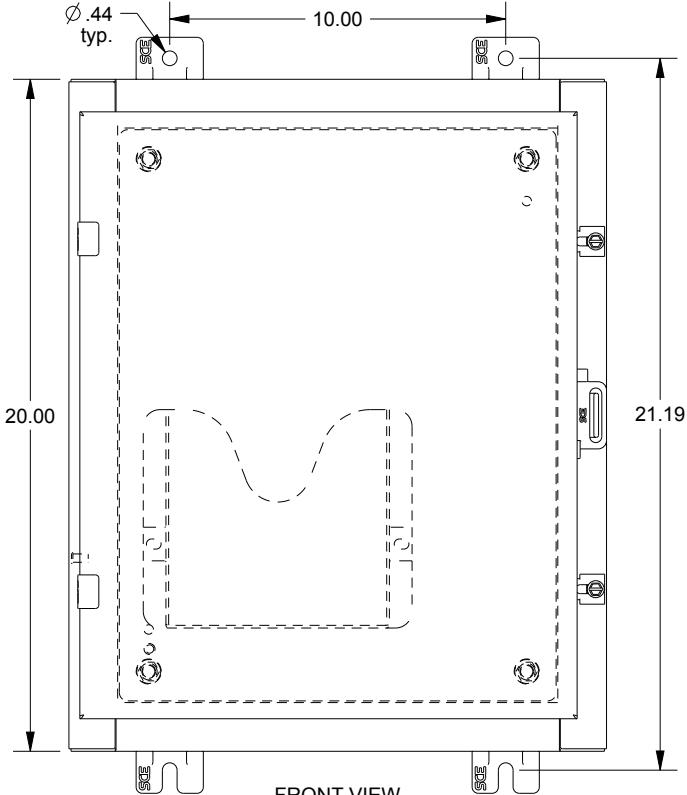
BOTTOM VIEW



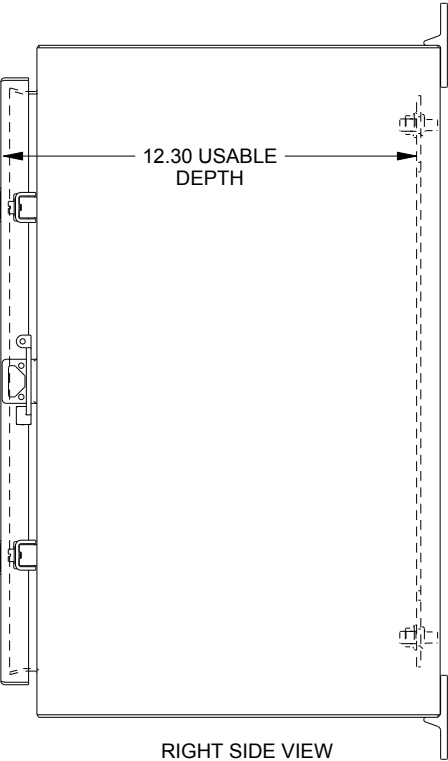
TOP VIEW



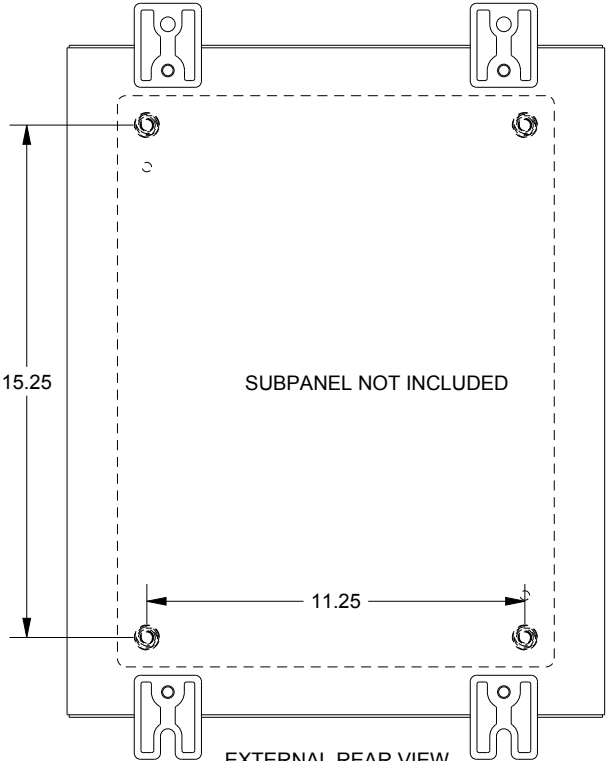
LEFT SIDE VIEW



FRONT VIEW



RIGHT SIDE VIEW



EXTERNAL REAR VIEW