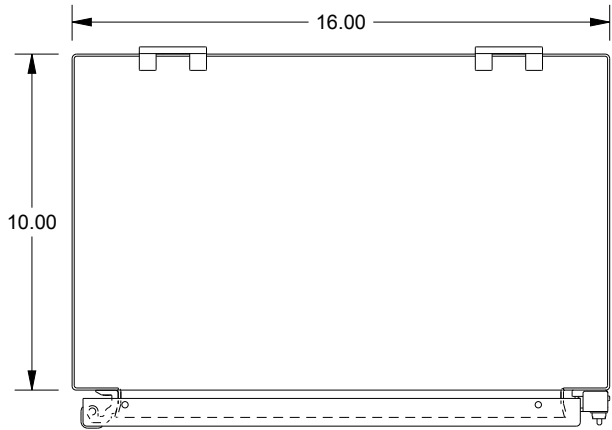
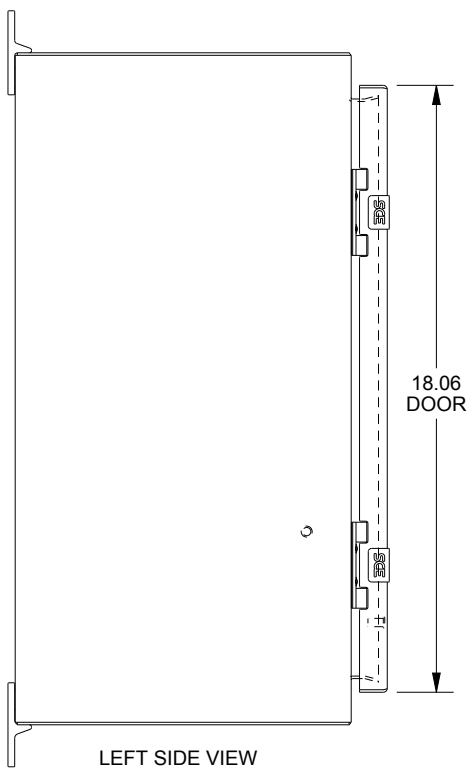


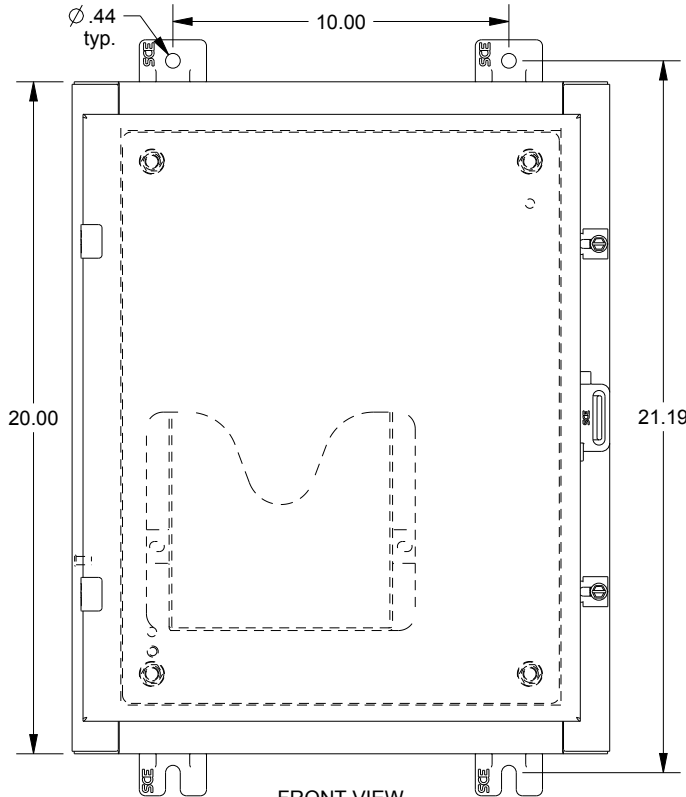
SAGINAW CONTROL & ENGINEERING SCE-20H1610LP



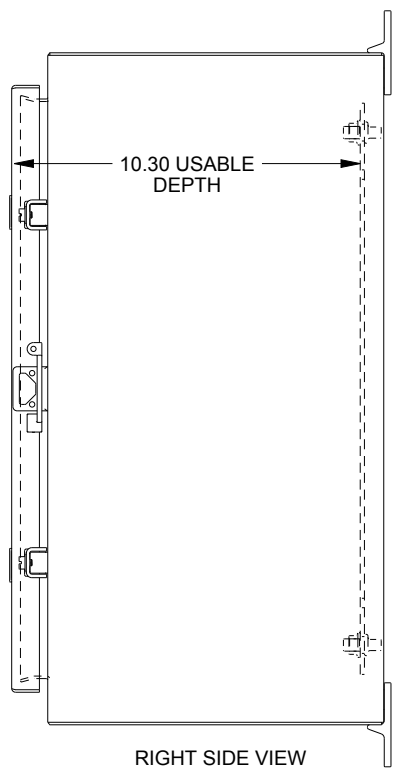
TOP VIEW



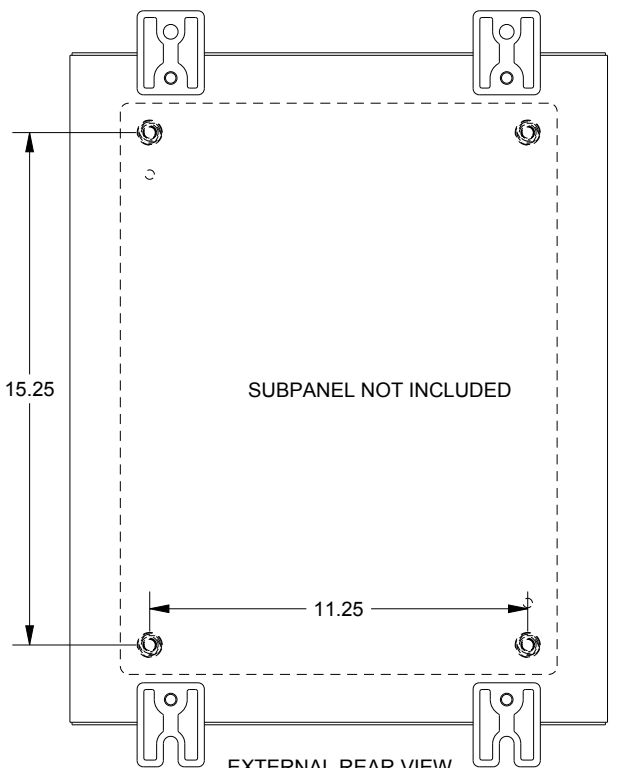
LEFT SIDE VIEW



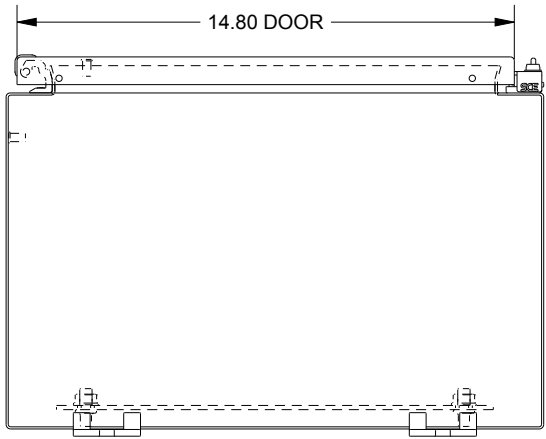
FRONT VIEW



RIGHT SIDE VIEW



EXTERNAL REAR VIEW



BOTTOM VIEW