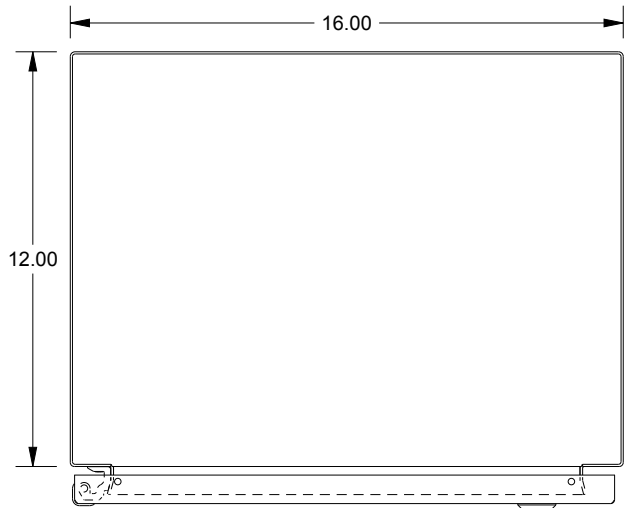
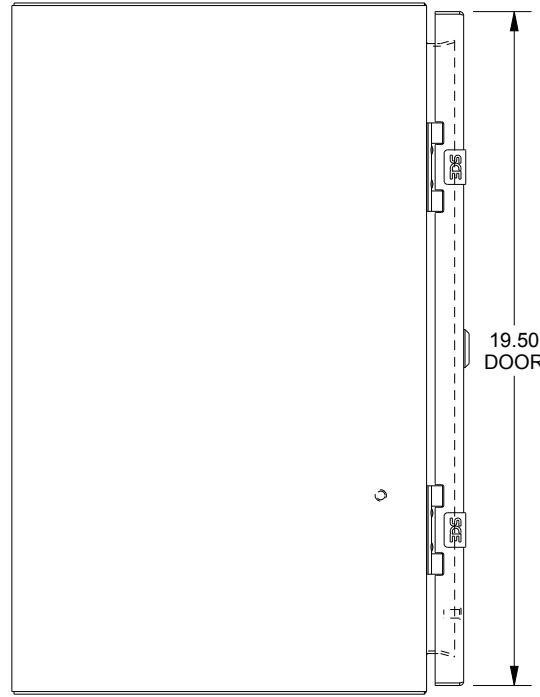


# SAGINAW CONTROL & ENGINEERING

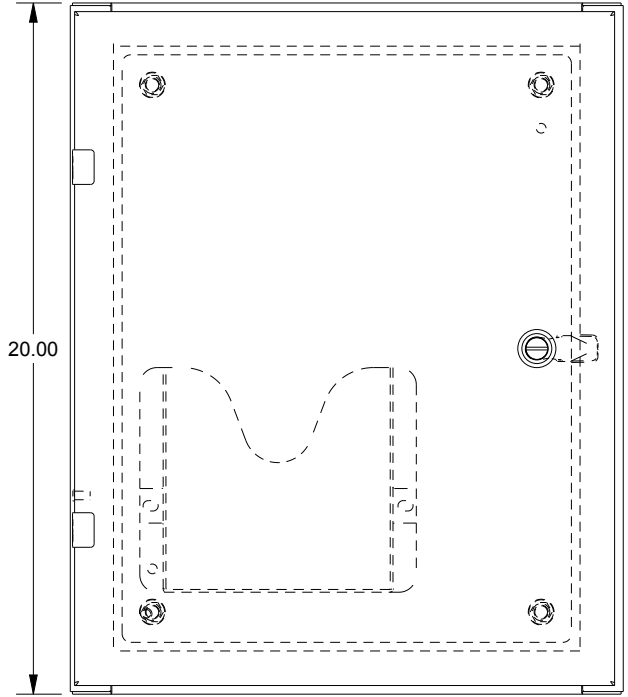
SCE-20EL1612LP = SCE-09 GRAY  
 SCE-20EL1612LPLG = RAL 7035



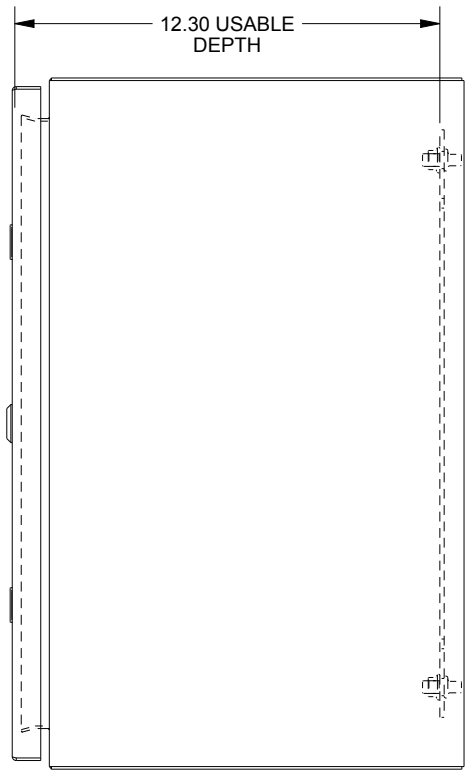
TOP VIEW



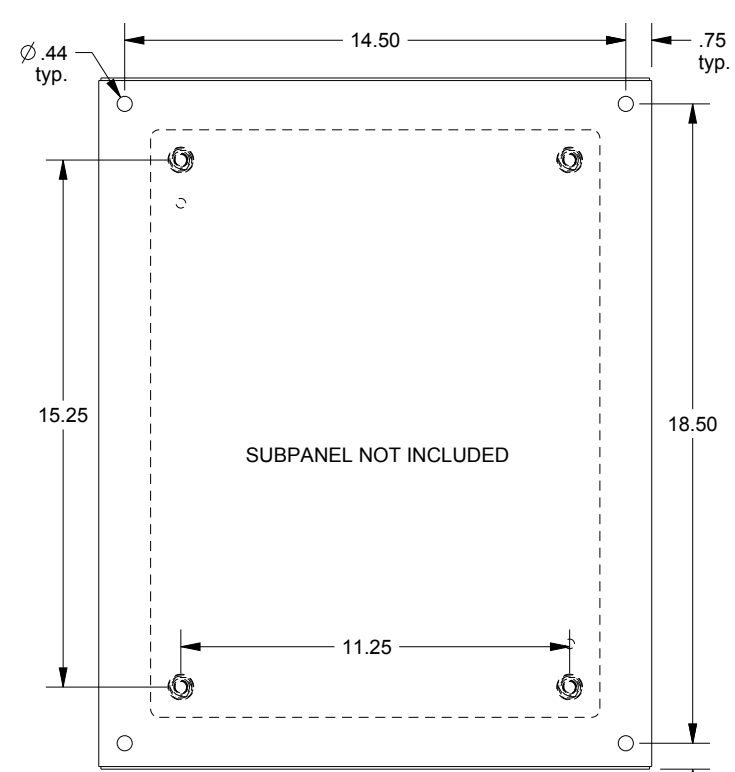
LEFT SIDE VIEW



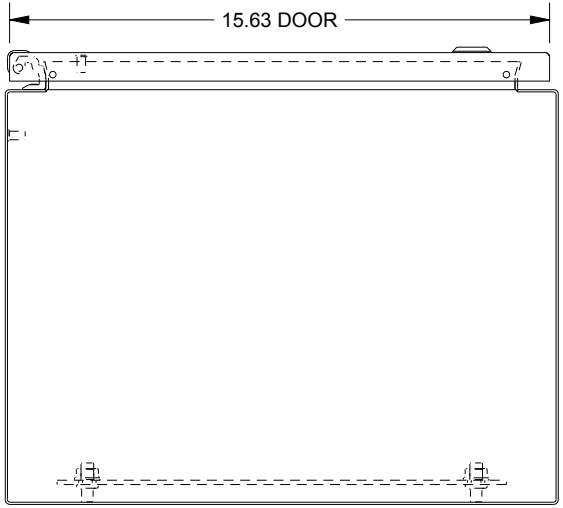
FRONT VIEW



RIGHT SIDE VIEW



EXTERNAL REAR VIEW



BOTTOM VIEW