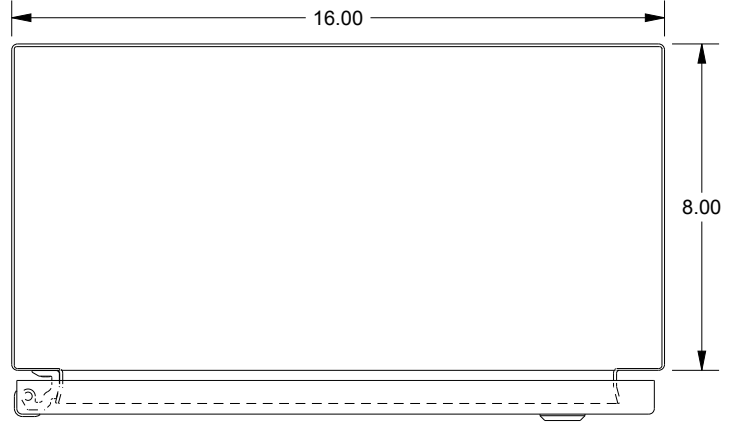
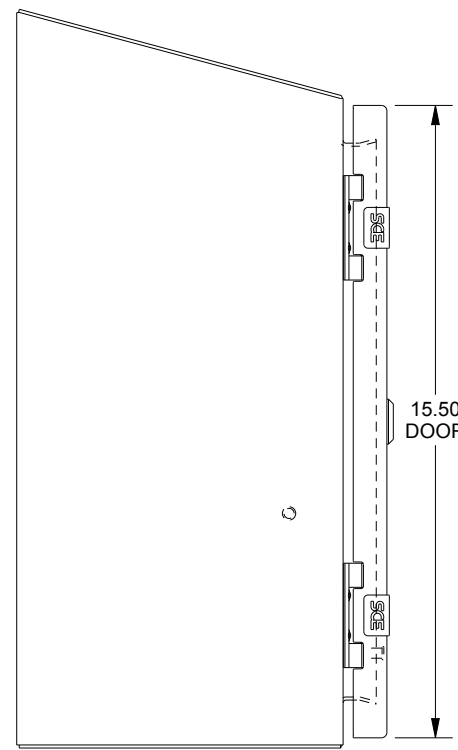


SAGINAW CONTROL & ENGINEERING

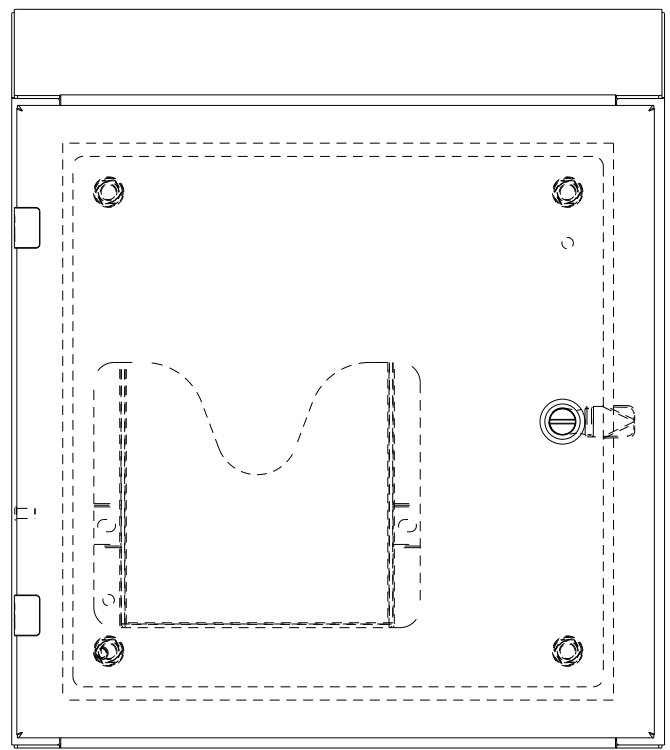
SCE-16EL1608SSST



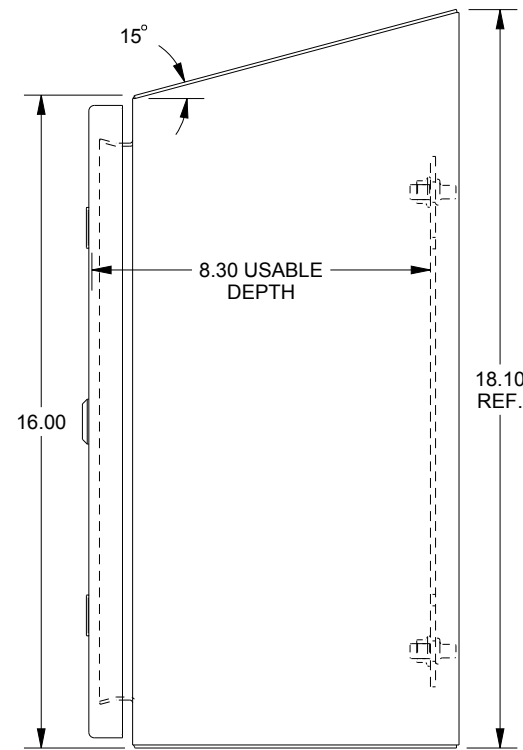
TOP VIEW



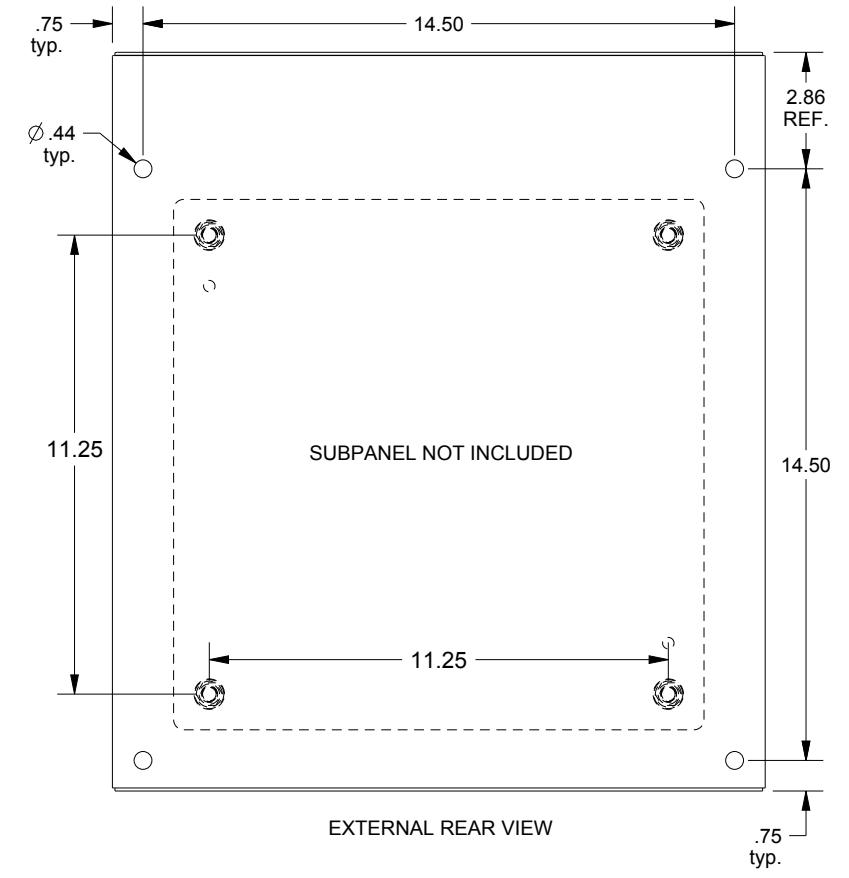
LEFT SIDE VIEW



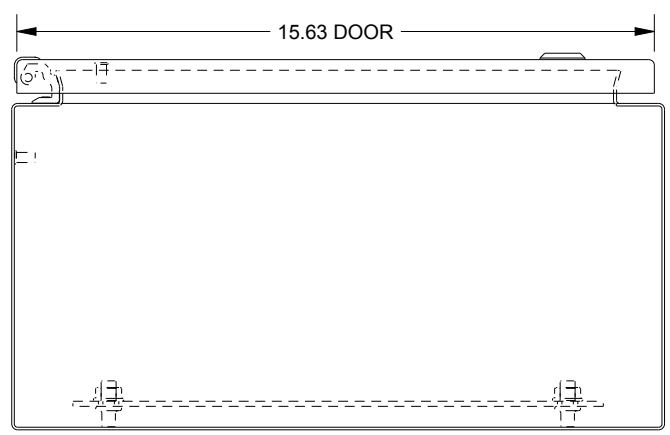
FRONT VIEW



RIGHT SIDE VIEW



EXTERNAL REAR VIEW



BOTTOM VIEW