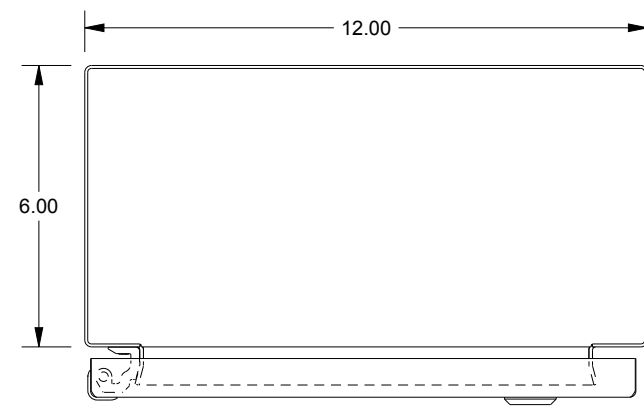
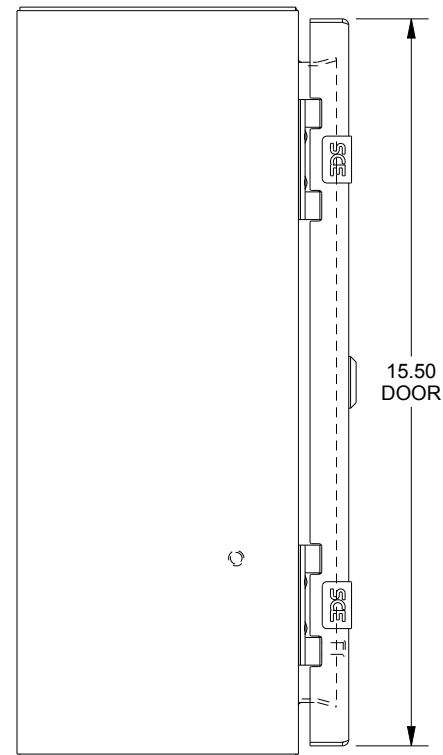


SAGINAW CONTROL & ENGINEERING

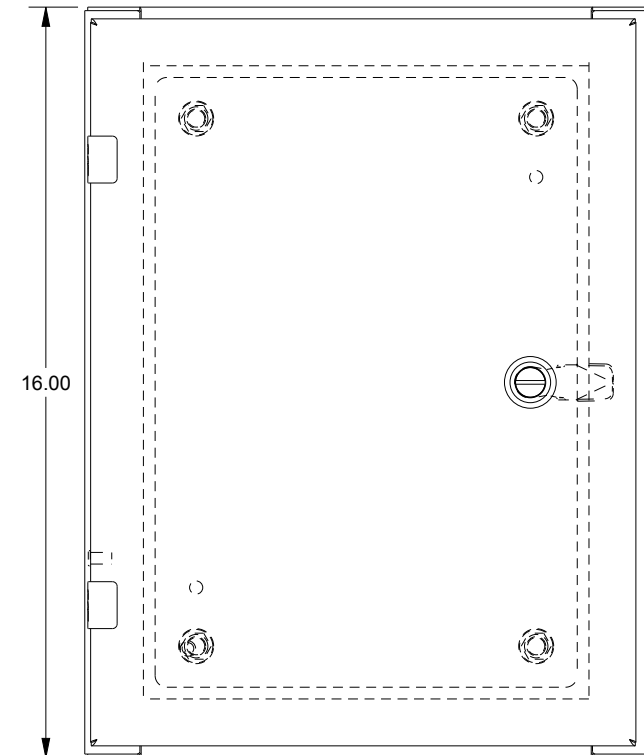
SCE-16EL1206SSLP



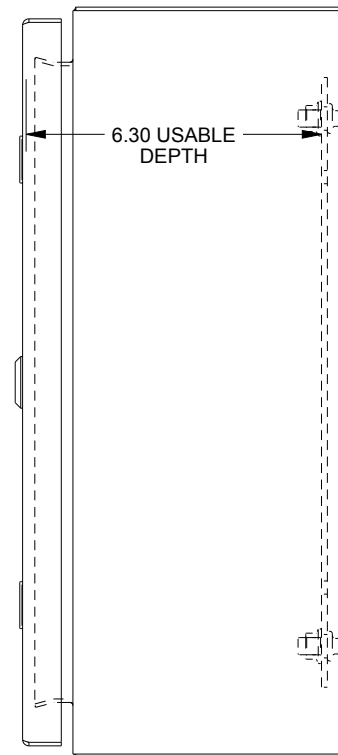
TOP VIEW



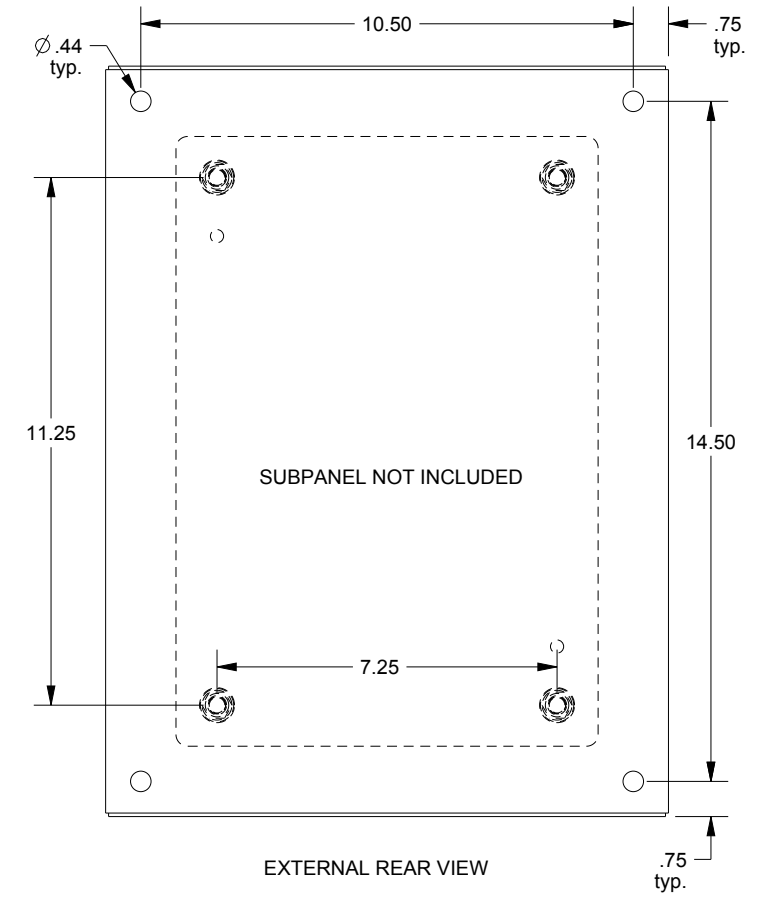
LEFT SIDE VIEW



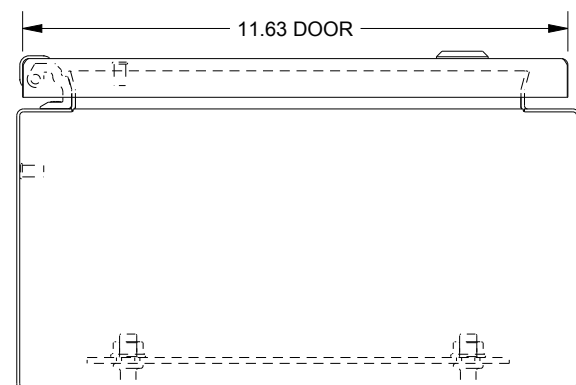
FRONT VIEW



RIGHT SIDE VIEW



EXTERNAL REAR VIEW



BOTTOM VIEW