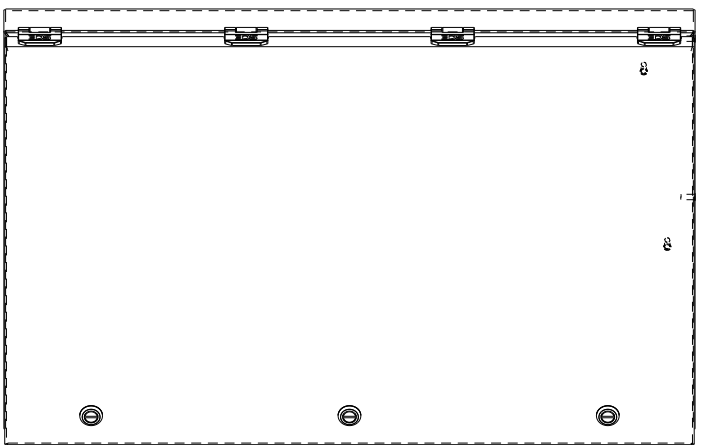
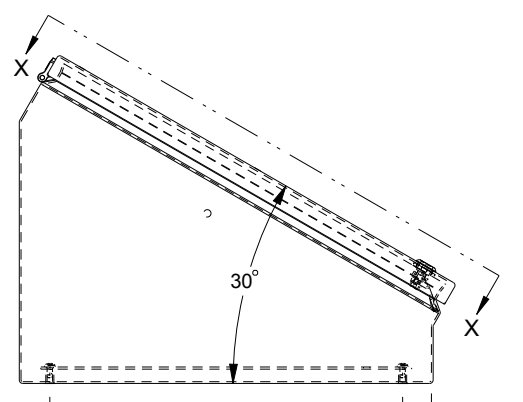


# SAGINAW CONTROL & ENGINEERING

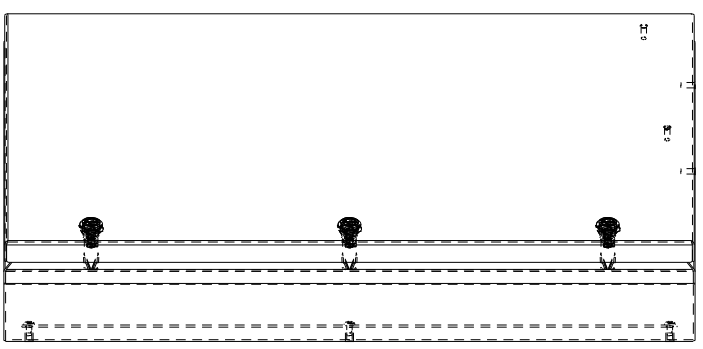
## SCE-16C24ELJ



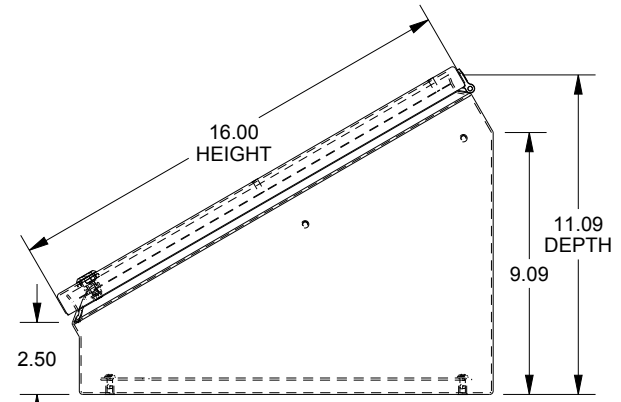
TOP VIEW



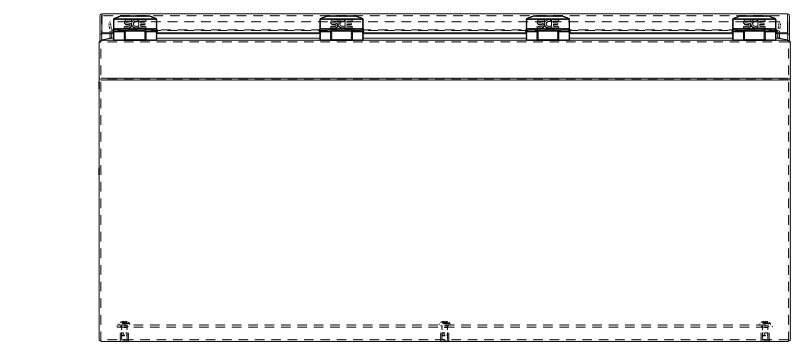
LEFT SIDE VIEW



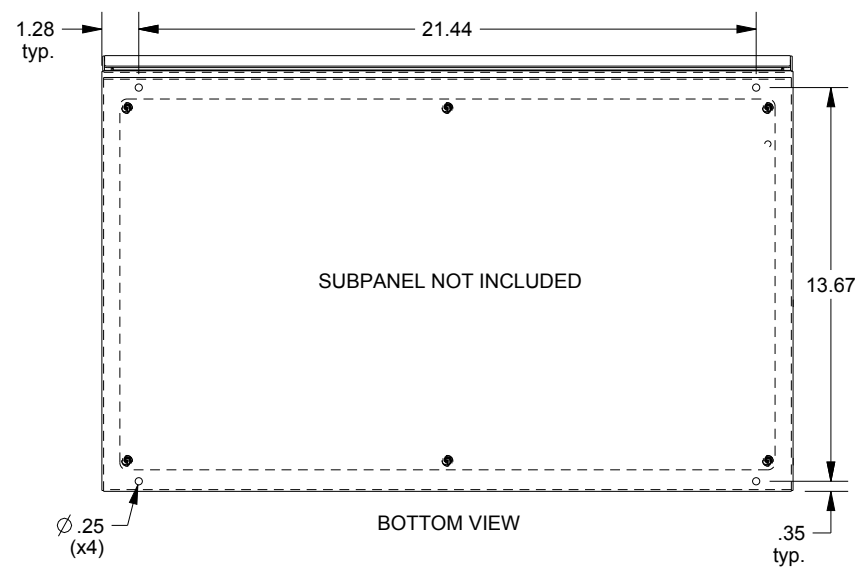
FRONT VIEW



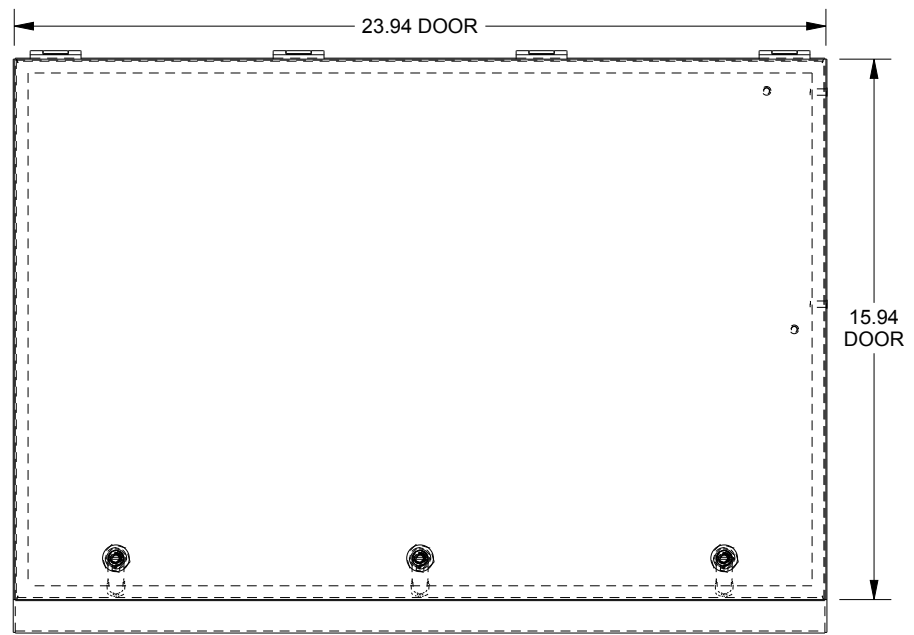
RIGHT SIDE VIEW



REAR VIEW



BOTTOM VIEW



SECTION X-X