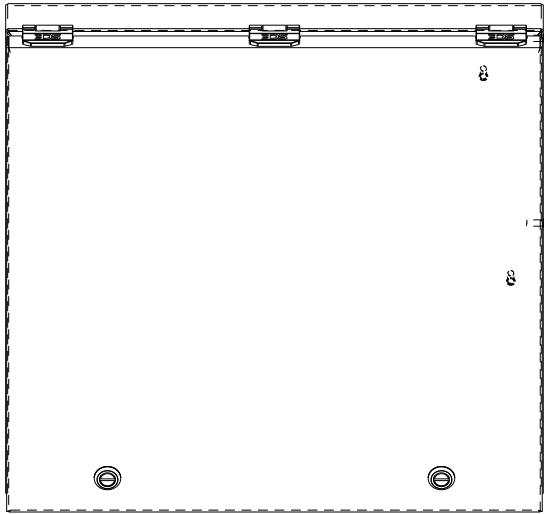
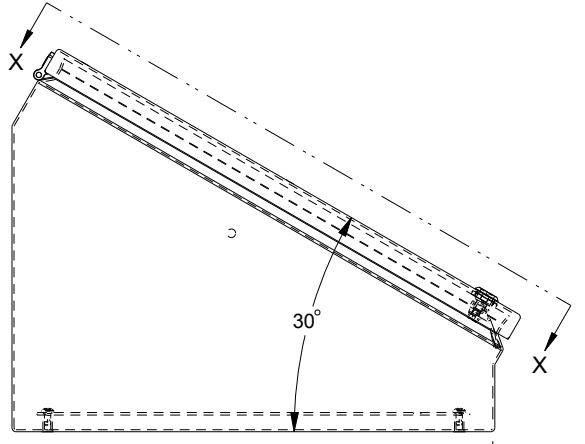


SAGINAW CONTROL & ENGINEERING

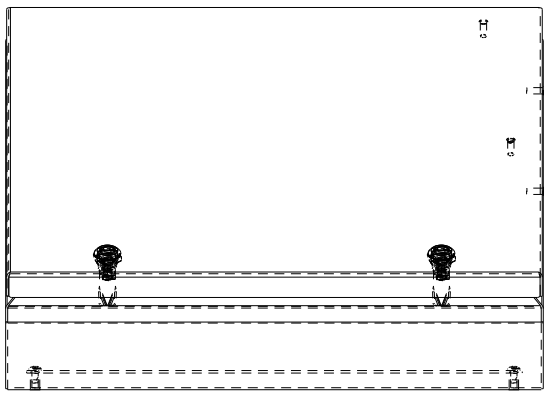
SCE-16C16ELJ



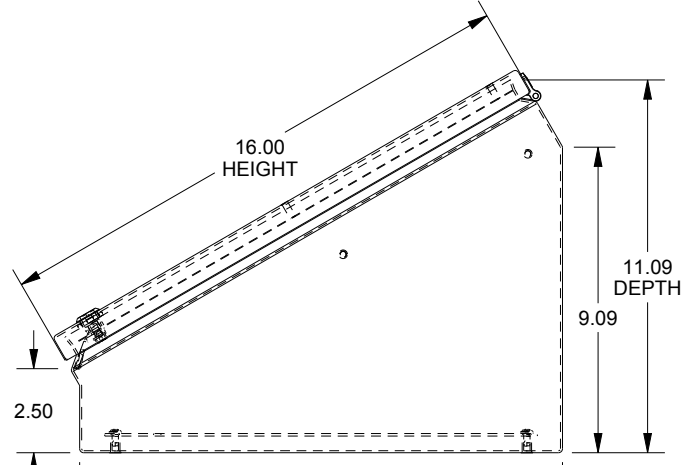
TOP VIEW



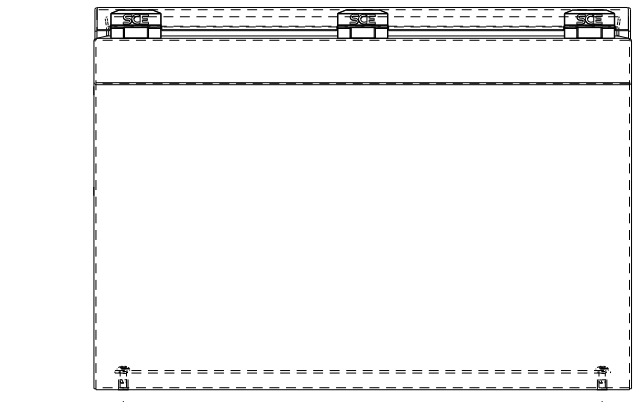
LEFT SIDE VIEW



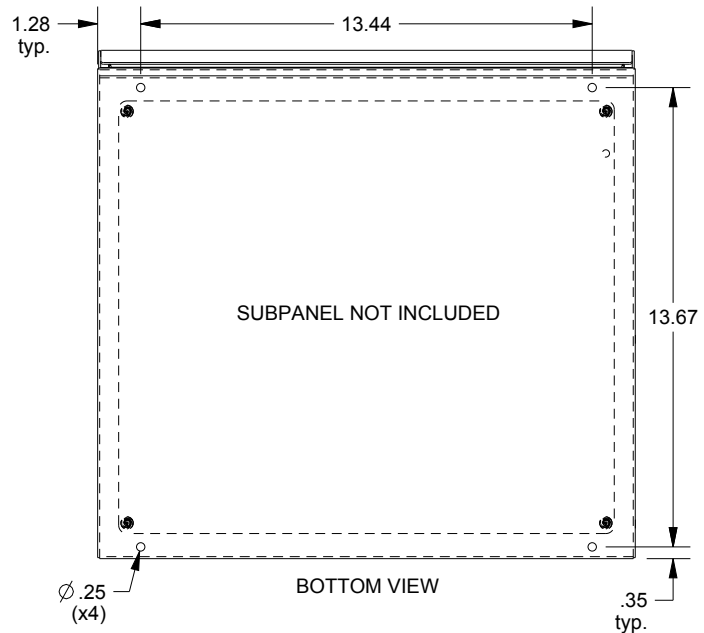
FRONT VIEW



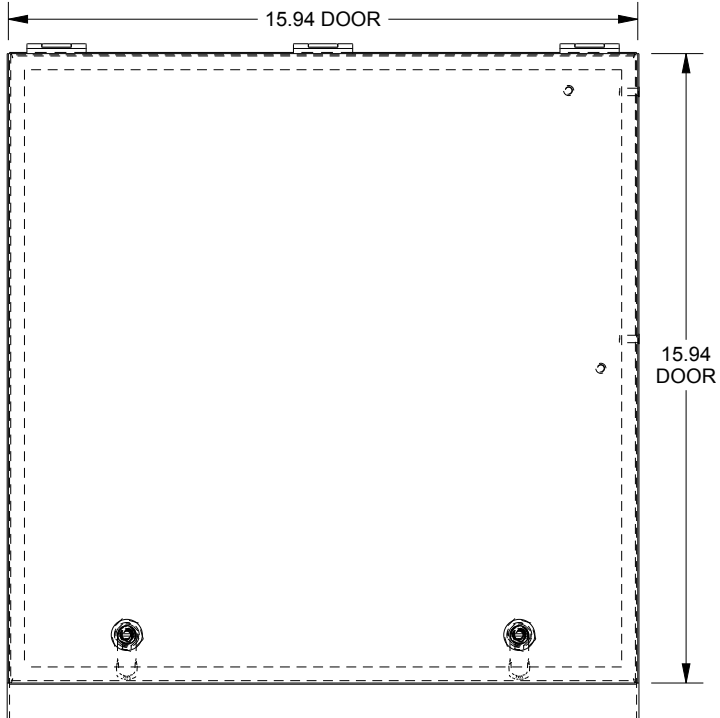
RIGHT SIDE VIEW



REAR VIEW



BOTTOM VIEW



SECTION X-X