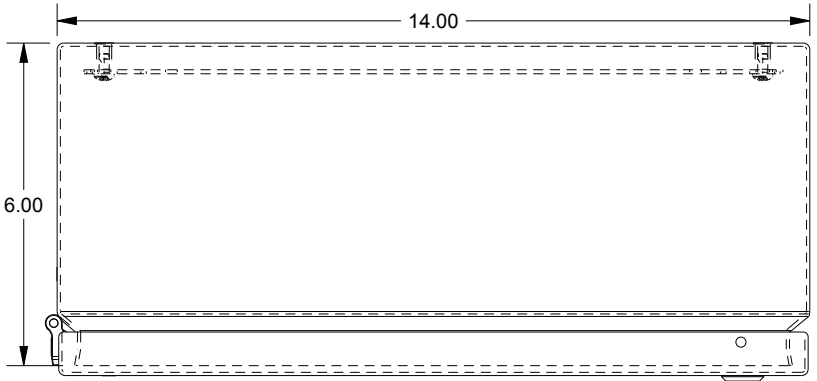
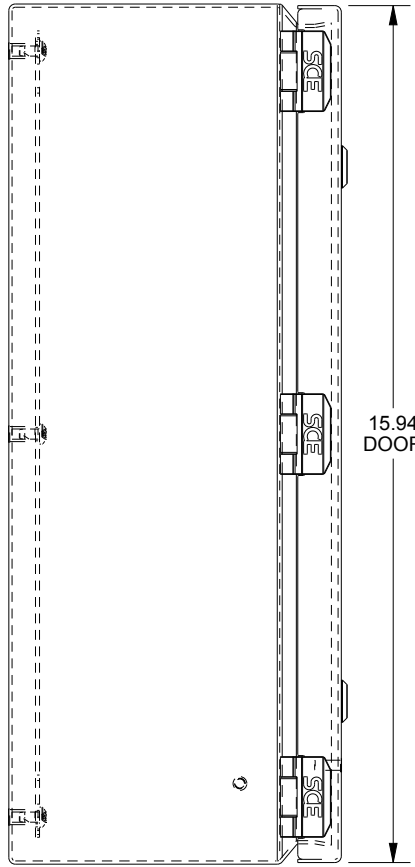


SAGINAW CONTROL & ENGINEERING

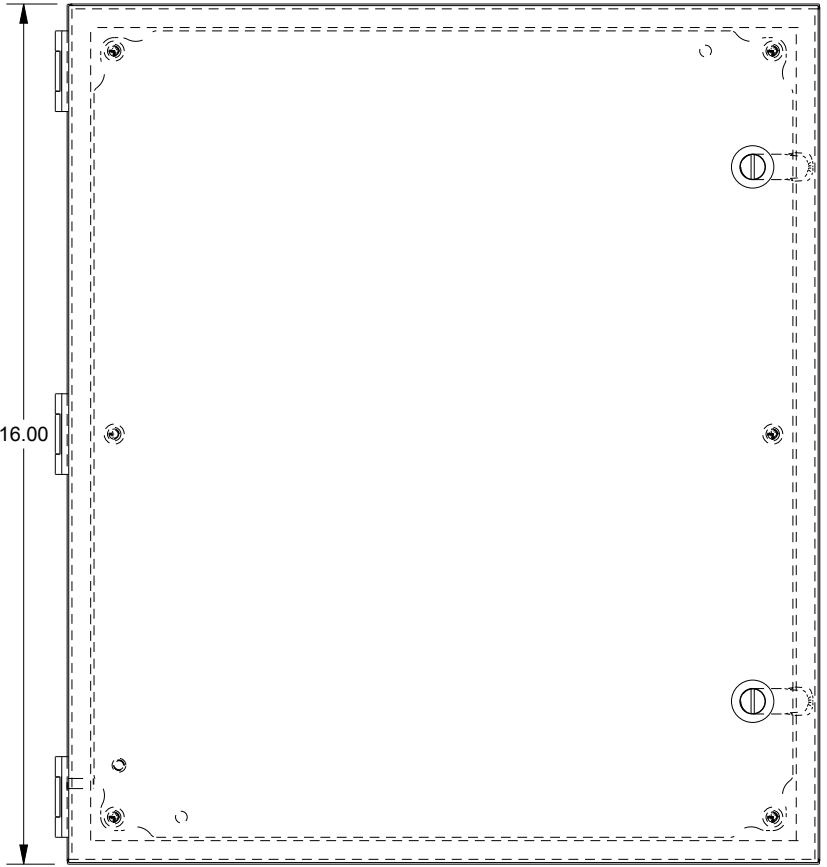
SCE-1614ELJ = SCE-09 GRAY
 SCE-1614ELJLG = RAL 7035



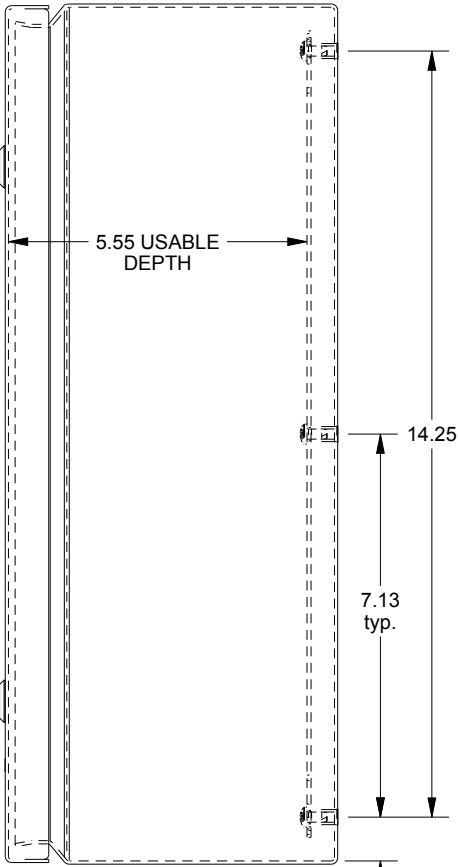
TOP VIEW



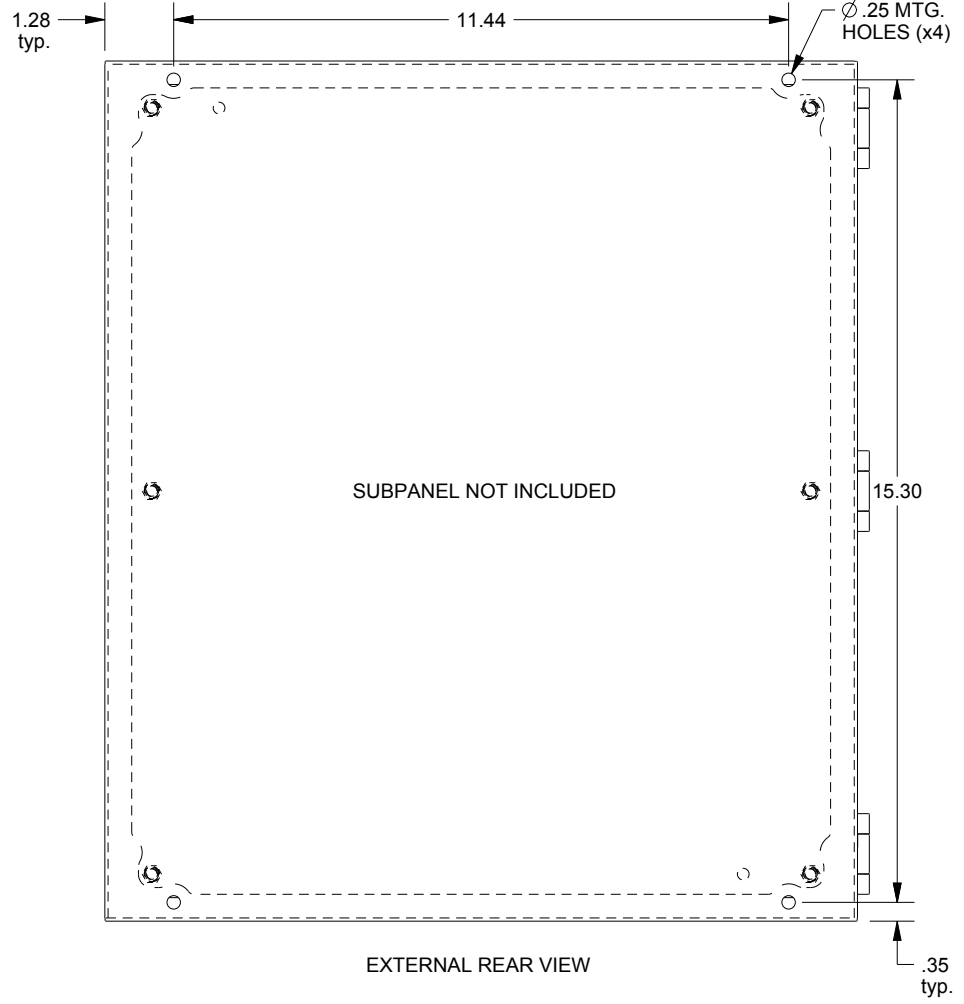
LEFT SIDE VIEW



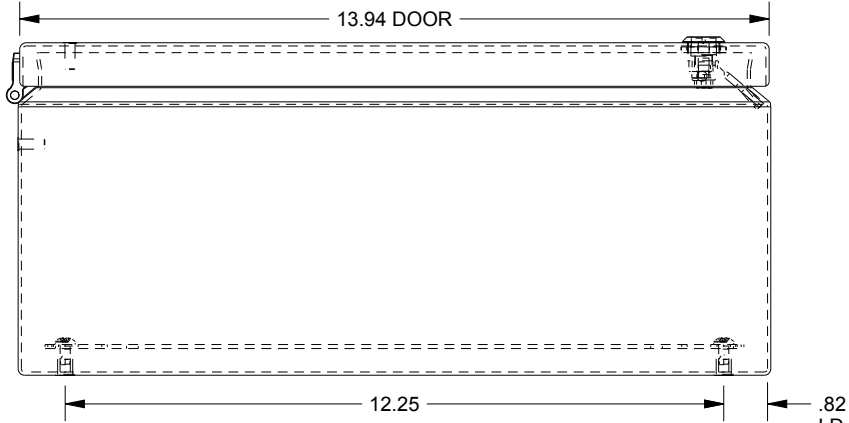
FRONT VIEW



RIGHT SIDE VIEW



EXTERNAL REAR VIEW



BOTTOM VIEW