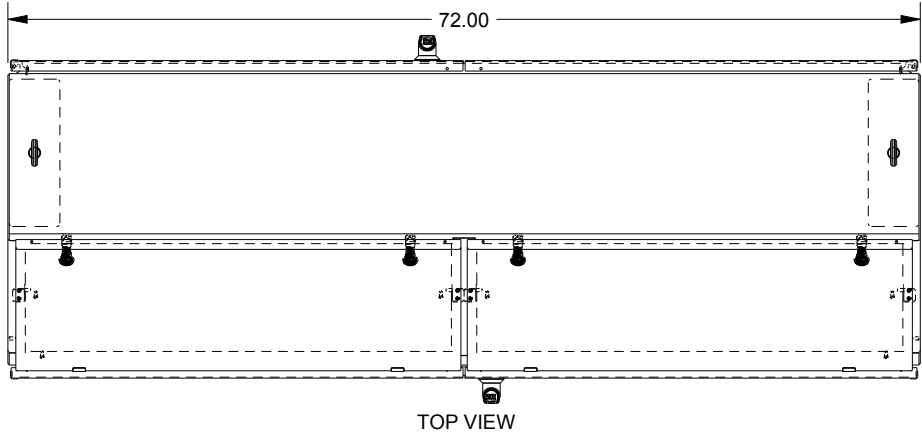
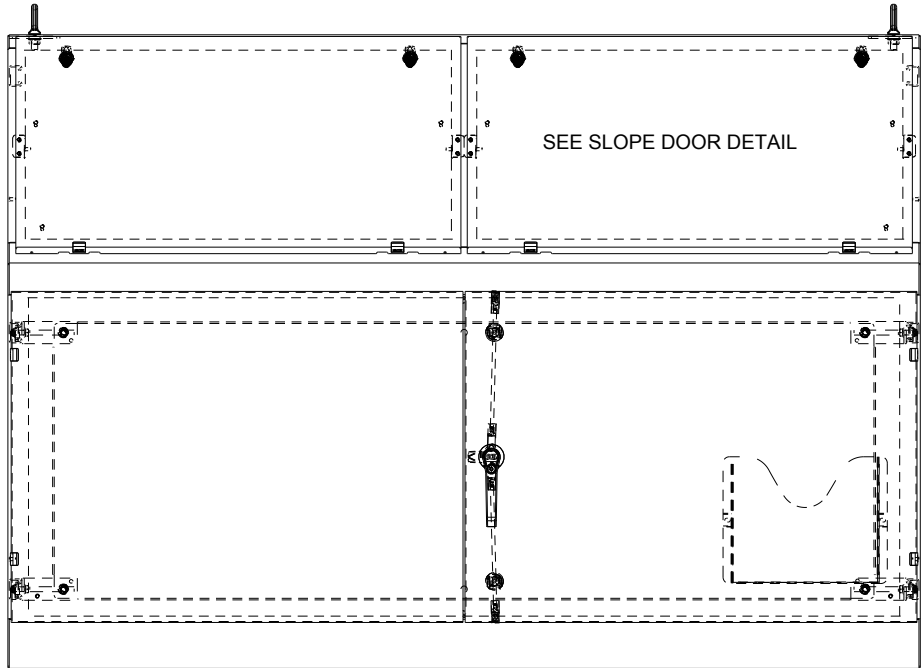


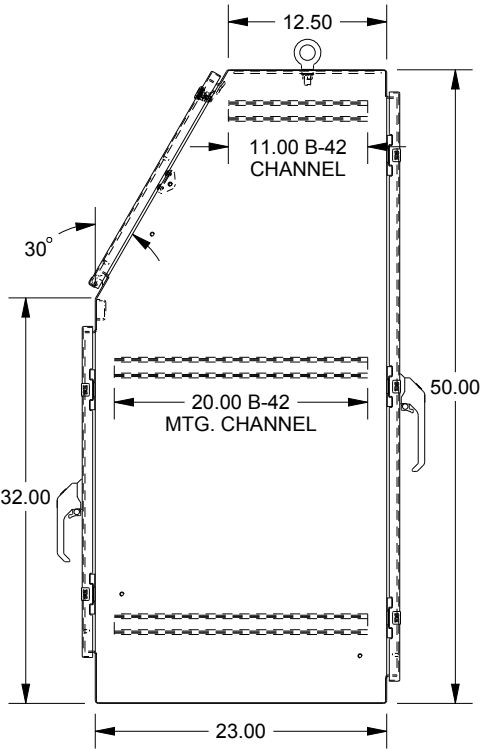
# SAGINAW CONTROL & ENGINEERING SCE-1472BD



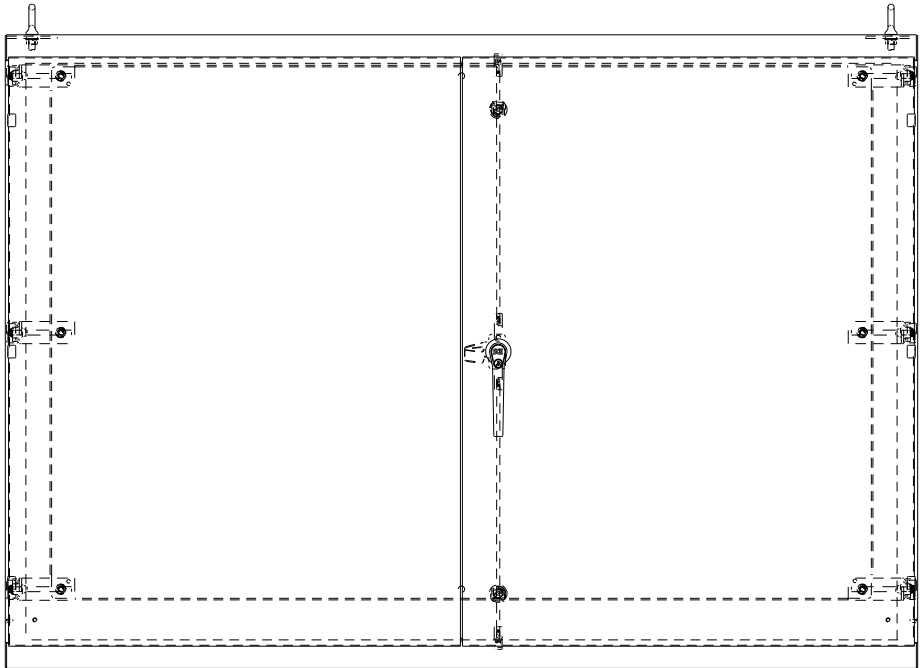
TOP VIEW



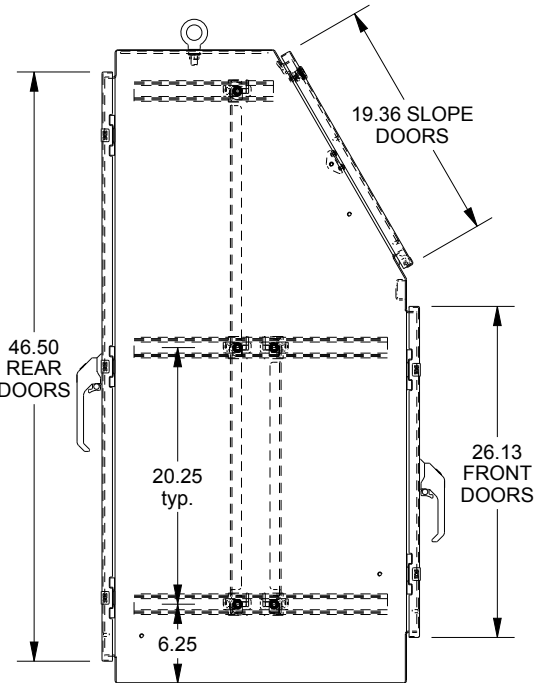
FRONT VIEW



RIGHT SIDE VIEW

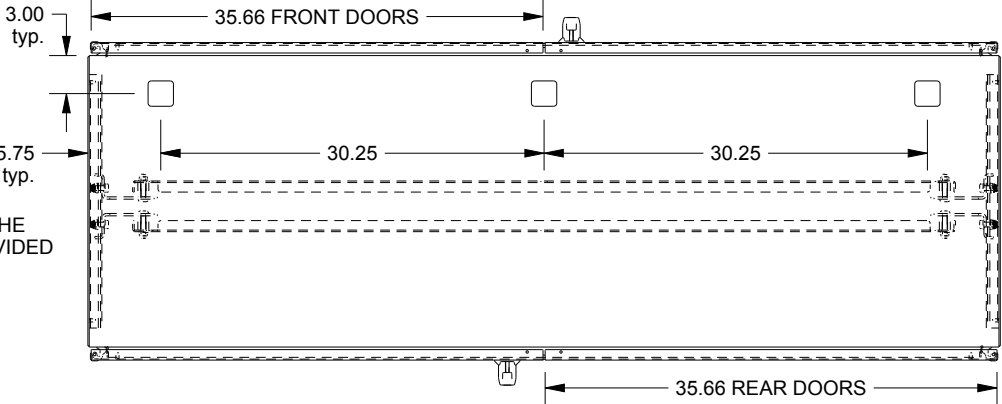


EXTERNAL REAR VIEW



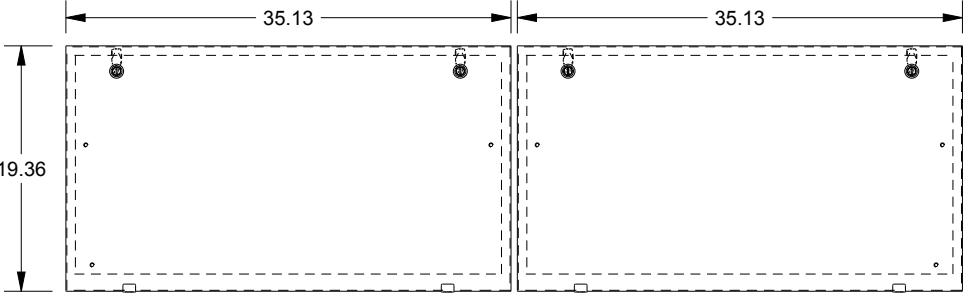
LEFT SIDE VIEW

FULL & HALF PANELS NOT INCLUDED



BOTTOM VIEW

WASH SYSTEM 2" SQUARE DRAIN HOLES IN THE BOTTOM WITH UL APPROVED HOLE SEALS PROVIDED



SLOPE DOOR DETAIL